

DR Blue

motralec

4 rue Lavoisier . ZA Lavoisier . 95223 HERBLAY CEDEX
 Tel. : 01.39.97.65.10 / Fax. : 01.39.97.68.48
 Demande de prix / e-mail : service-commercial@motralec.com
www.motralec.com



Multi-channel open impeller

General characteristics

- multi-channel open impeller
- 0,3 ÷ 0,74 kW
- 2 poles
- GAS 1 1/4" vertical delivery port
- 7 mm free passage

Electromechanical assembly

Electromechanical assembly in EN-GJL-250 cast iron, for submerged operation, fitted with 2 (two) opposing mechanical seals in silicon carbide and alumina graphite in oil sump, and V-ring in direct contact with the liquid. Ecological dry motor. Pump body in single casting with motor casing. Series not available in explosion-proof version.

Applications

The ideal solution for use with clear or slightly soiled wastewaters containing small solids, strained water, rainwater, seepage and water pumped from underground. Suitable and reliable for domestic use, including heavy-duty applications.

Construction materials

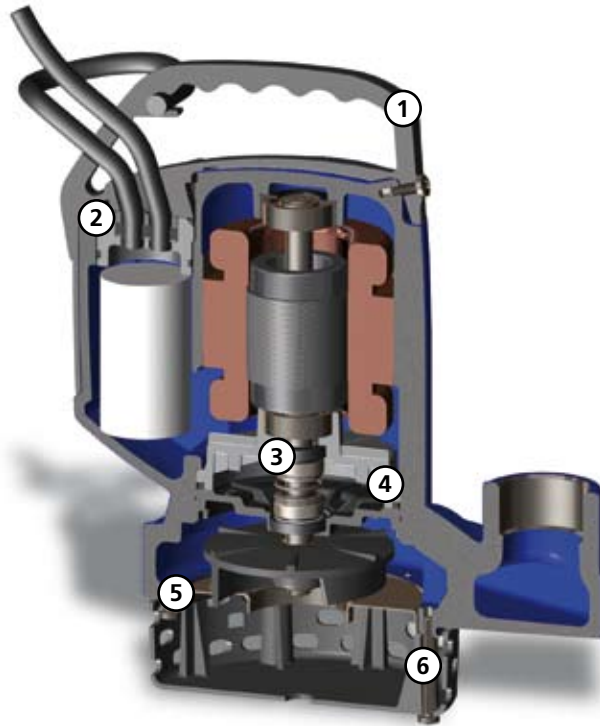
Case	Cast iron EN-GJL 250
Impeller	Technopolymer
Nuts and bolts	Stainless steel - Class A2-70
Standard gasket	Rubber - NBR
Shaft	Stainless steel - AISI 420
Set of standard mechanical seals	One silicon carbide mechanical seal (SiC) and one carbon-aluminium oxide mechanical seal (AL)

Operating limits

Maximum operating temperature	40 °C
PH of treated fluid	6 to 10 pH
Viscosity of treated fluid	1 mm ² /s
Maximum immersion depth	20 m
Density of treated fluid	1 Kg/dm ³
Maximum acoustic pressure	70 dB
max starts per hour	20

Models available in IECEx certified version

DR Blue



Lifting handle

Convenient technopolymer lifting and carrying handle



Cable Gland System

Innovative cable gland system with twin O-rings to ensure maximum tightness



Mechanical seals

One silicon carbide mechanical seal (SiC) and one carbon-aluminium oxide mechanical seal (AL)



Seal sump

Oil chamber which guarantees longer mechanical seal lifetime, and is easily accessible thanks to a patented system to simplify maintenance procedures



Anti-clogging System

The diffuser plate incorporates the Anti Clogging System (ACS), consisting of grooves in the plate to facilitate the ejection of solids.



Intake strainer

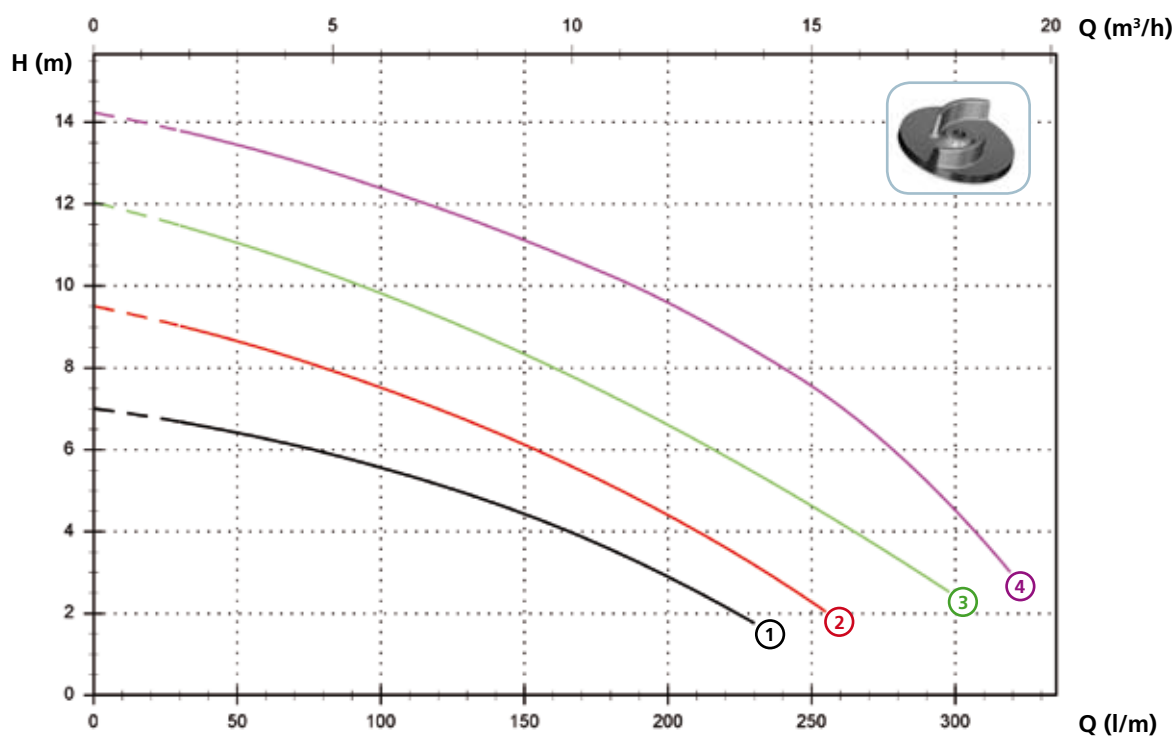
Intake strainer in impact-resistant polypropylene

DR Blue

Models with vertical GAS 1 1/4" threaded delivery port - 2 poles motor

Performances

	l/s	0	1	2	3	4	5
	l/min	0	60	120	180	240	300
	m ³ /h	0	3,6	7,2	10,8	14,4	18,0
①	DR Blue 40/2/G32V A1BM/50	7,0	6,3	5,1	3,6		
②	DR Blue 50/2/G32V A1BM/50	9,5	8,4	7,0	5,1	2,7	
③	DR Blue 75/2/G32V A1BM/50	12,0	10,8	9,3	7,3	5,0	
④	DR Blue 100/2/G32V A1BM/50	14,2	13,3	11,9	10,3	8,0	4,5



Technical data

	V	Phases	P1 (kW)	P2 (kW)	A	Rpm	Ø Cable (*)	Free passage
①	DR Blue 40/2/G32V A1BM/50	230	1	-	0.3	2.3	2900	G 1 1/4" A 7 mm
②	DR Blue 50/2/G32V A1BM/50	230	1	-	0.37	2.8	2900	G 1 1/4" A 7 mm
③	DR Blue 75/2/G32V A1BM/50	230	1	-	0.55	4.1	2900	G 1 1/4" A 7 mm
④	DR Blue 100/2/G32V A1BM/50	230	1	-	0.74	5.6	2900	G 1 1/4" A 7 mm

(*) A = H07RN-F 3G1 - 5 m cable length with schuko plug. Optional 10 m cable length with schuko plug.
 Attention: Standard EN 60335-2-41 requires the use of a 10 m cable length in outdoor applications

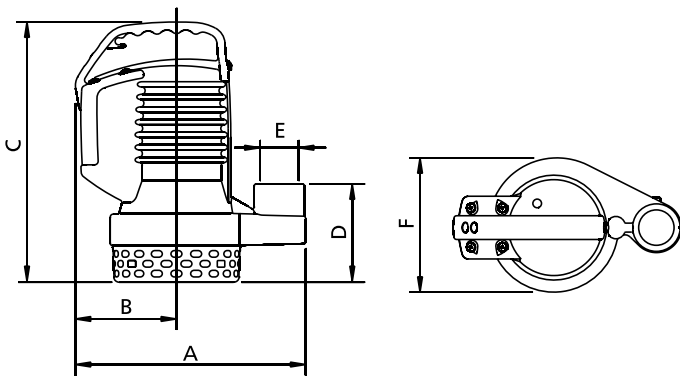
DR Blue

Versions available

(Key to versions on page 15)

	Electrical variants											Cooling		Mechanical seals					
	N A E	T C	T C D	T C D T	T C D G T	T C G	T C S T	T C S G T	T C S T S	T R	T R G	F T	C G F T	N	CC	2SIC	SICM	SICAL	2SICAL
DR Blue 40/2/G32V A1BM/50		●				●								●				●	
DR Blue 50/2/G32V A1BM/50		●				●								●				●	
DR Blue 75/2/G32V A1BM/50		●				●								●				●	
DR Blue 100/2/G32V A1BM/50		●				●								●				●	

Overall dimensions and weights

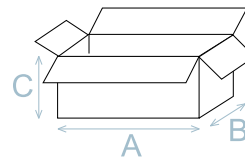


	A	B	C	D	E	F	kg
DR Blue 40/2/G32V A1BM/50	255	115	295	110	G 1 1/4"	150	11.5
DR Blue 50/2/G32V A1BM/50	255	115	295	110	G 1 1/4"	150	12
DR Blue 75/2/G32V A1BM/50	255	115	295	110	G 1 1/4"	150	13.5
DR Blue 100/2/G32V A1BM/50	255	115	295	110	G 1 1/4"	150	15.5

Measurements in mm

Packaging dimension

	A	B	C
DR Blue 40/2/G32V A1BM/50	240	200	350
DR Blue 50/2/G32V A1BM/50	240	200	350
DR Blue 75/2/G32V A1BM/50	240	200	350
DR Blue 100/2/G32V A1BM/50	240	200	350

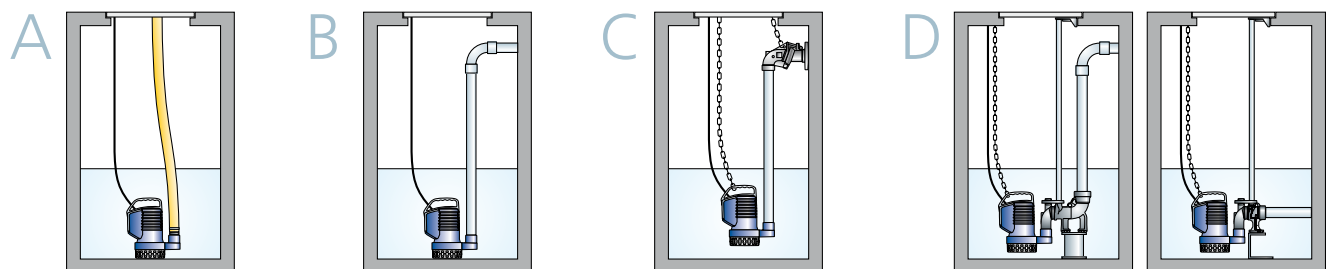


Dimension in mm

No. pieces per pallet

For DR Blue models each pallet (EUR 1000X1200 mm) is able to take 75 pieces.

Installations available



For C and D installations the joint for reduction is necessary (not included)

