

DRO**motralec**

4 rue Lavoisier . ZA Lavoisier . 95223 HERBLAY CEDEX
 Tel. : 01.39.97.65.10 / Fax. : 01.39.97.68.48
 Demande de prix / e-mail : service-commercial@motralec.com
www.motralec.com



Multi-channel open impeller

General characteristics

- Multi-channel open impeller
- 0,37 ÷ 1,5 kW motor power
- 2 poles
- GAS 1 1/4" - 2" V
GAS 2" H - DN50 PN10
- max 15 mm free passage

Electromechanical assembly

Electromechanical assembly in GJL-250 cast iron, for submerged operation. Seal set comprising 1 (one) silicon carbide mechanical seal and 1 (one) graphite alumina mechanical seal, installed opposing with oil lubrication. Oil bath motor. Separate pump body. Series not available in explosion-proof version.

Applications

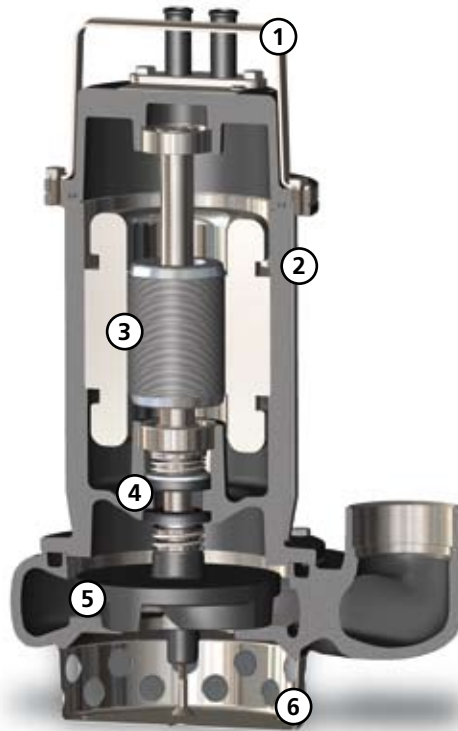
Can be used with clear or slightly soiled wastewaters containing small solids, strained water, rainwater, seepage and water pumped from underground. Suitable for heavy-duty domestic and professional applications

Construction materials

Case	Cast Iron EN-GJL 250
Impeller	Cast iron EN-GJL-250
Nuts and bolts	Stainless Steel - Class A2-70
Standard gasket	Rubber - NBR
Shaft	Stainless Steel - AISI 420
Set of standard mechanical seals	One Silicon carbide mechanical seal (SiC) and One Carbon-Aluminium oxide mechanical seal (AL)

operating limits

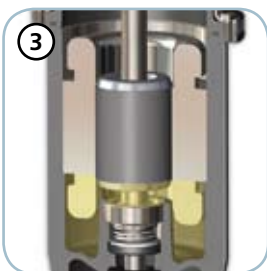
Maximum operating temperature	40 °C
PH of treated fluid	6 to 10 pH
Viscosity of treated fluid	1 mm ² /s
Maximum immersion depth	20 m
Density of treated fluid	1 Kg/dm ³
Maximum acoustic pressure	70 dB
max starts per hour	20



Handle
AISI 304 stainless steel lifting and carrying handle



Structure
Constructed in cast iron



Motor
Oil-bath motor with thermal overloads



Mechanical seals
One mechanical seal in silicon carbide (SiC) and one mechanical seal in alumina graphite (AL)



Anti-clogging system
The special design of the hydraulic part ensures the expulsion of suspended solids and prevents fouling of the impeller



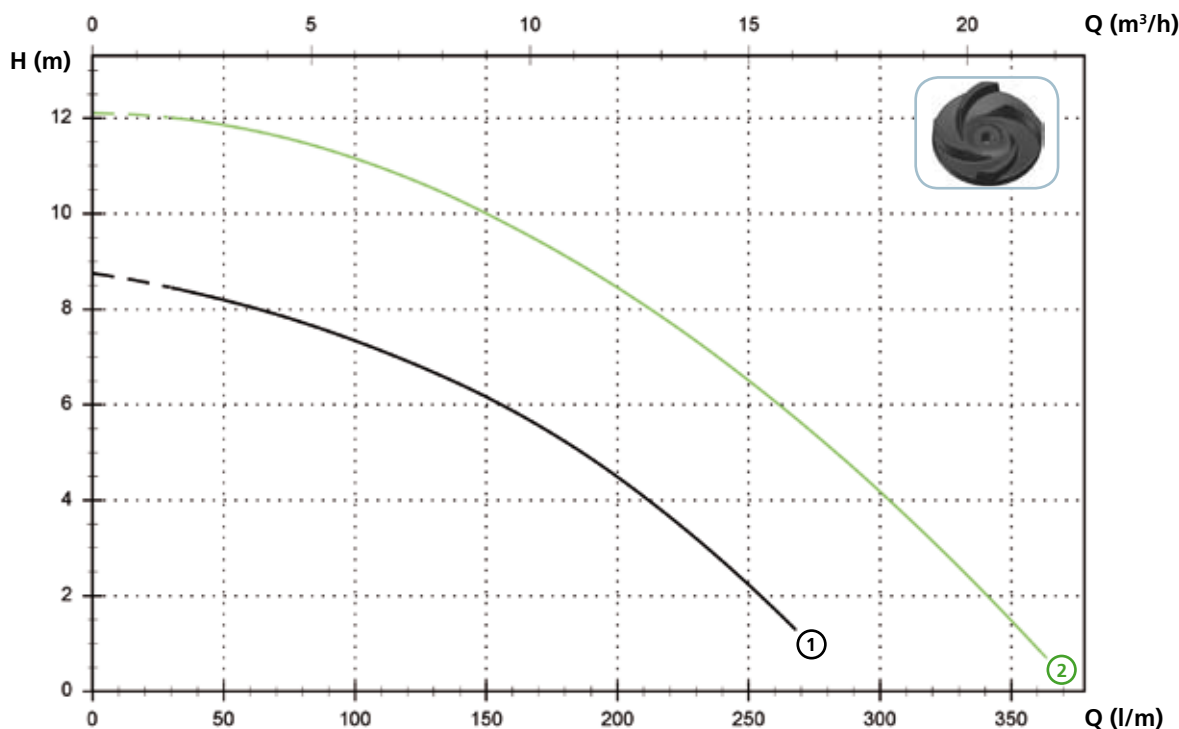
Intake strainer
Intake strainer in stainless steel

DRO

Models with vertical GAS 1 1/4" threaded delivery port - 2 poles

Performances

	l/s	0	1	2	3	4	5	6
	l/min	0	60	120	180	240	300	360
	m ³ /h	0	3,6	7,2	10,8	14,4	18,0	21,6
①	DRO 50/2/G32V A0CM(T)/50	8,8	8,1	6,9	5,2	2,7		
②	DRO 75/2/G32V A0CM(T)/50	12,1	11,8	10,8	9,1	6,9	4,2	0,9



Technical data

	V	Phases	P1 (kW)	P2 (kW)	A	Rpm	Ø	Cable (*)	Free passage	
①	DRO 50/2/G32V A0CM/50	230	1	-	0.37	2.9	2900	G 1 1/4"	A	15 mm
②	DRO 75/2/G32V A0CM/50	230	1	-	0.55	3.9	2900	G 1 1/4"	A	15 mm

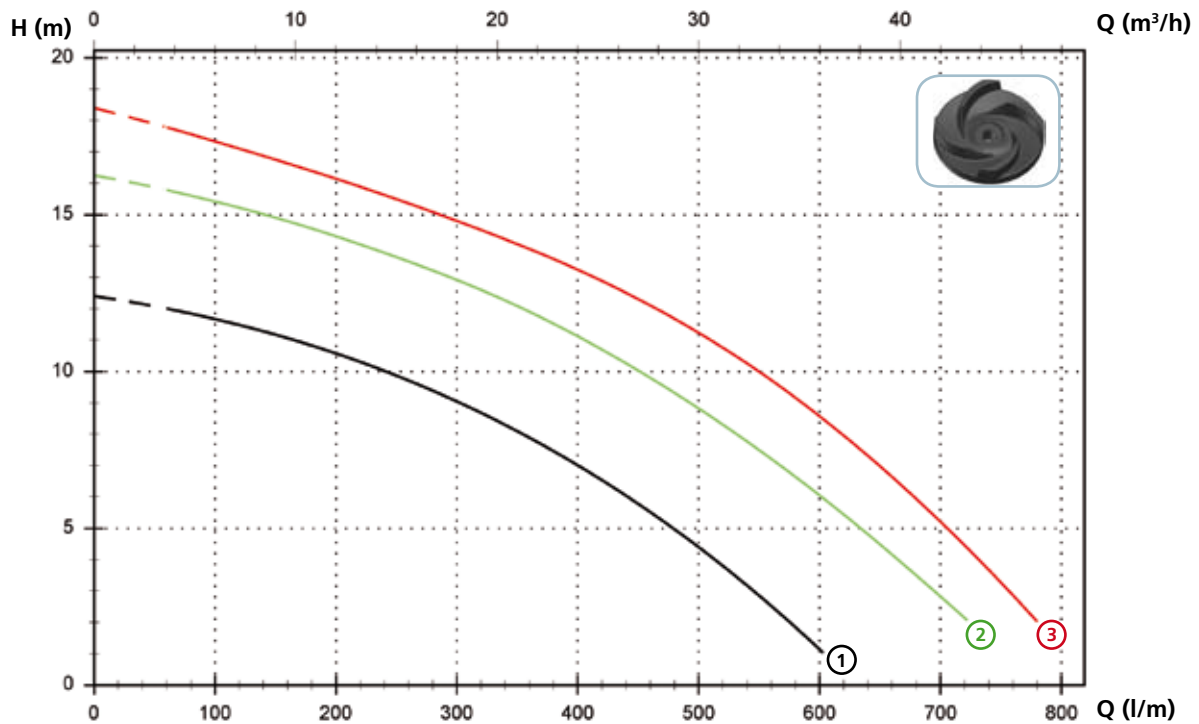
	V	Phases	P1 (kW)	P2 (kW)	A	Rpm	Ø	Cable (*)	Free passage	
①	DRO 50/2/G32V A0CT/50	400	3	-	0.37	1.1	2900	G 1 1/4"	A	15 mm
②	DRO 75/2/G32V A0CT/50	400	3	-	0.55	1.4	2900	G 1 1/4"	A	15 mm

(*) A = H07RN-F 4G1 - 5 m cable length. Optional 10 m cable length
 Attention: Standard EN 60335-2-41 requires the use of a 10 m cable length in outdoor applications

Models with vertical GAS 2" threaded delivery port - 2 poles

Performances

	l/s	0	2	4	6	8	10	12
	l/min	0	120	240	360	480	600	720
	m ³ /h	0	7,2	14,4	21,6	28,8	36,0	43,2
① DRO 100/2/G50V A0CM(T)/50		12,4	11,5	10,0	7,9	5,0	1,1	
② DRO 150/2/G50V A0CM(T)/50		16,3	15,2	13,8	11,9	9,3	6,0	2,1
③ DRO 200/2/G50V A0CM(T)/50		18,4	17,1	15,6	13,9	11,7	8,6	4,5



Technical data

	V	Phases	P1 (kW)	P2 (kW)	A	Rpm	Ø	Cable (*)	Free passage
① DRO 100/2/G50V A0CM/50	230	1	-	0.88	6.5	2900	G 2"	A	15 mm
② DRO 150/2/G50V A0CM/50	230	1	-	1.1	8.2	2900	G 2"	A	15 mm
③ DRO 200/2/G50V A0CM/50	230	1	-	1.5	9.3	2900	G 2"	A	15 mm

	V	Phases	P1 (kW)	P2 (kW)	A	Rpm	Ø	Cable (*)	Free passage
① DRO 100/2/G50V A0CT/50	400	3	-	0.88	2.3	2900	G 2"	A	15 mm
② DRO 150/2/G50V A0CT/50	400	3	-	1.1	2.7	2900	G 2"	A	15 mm
③ DRO 200/2/G50V A0CT/50	400	3	-	1.5	3.5	2900	G 2"	A	15 mm

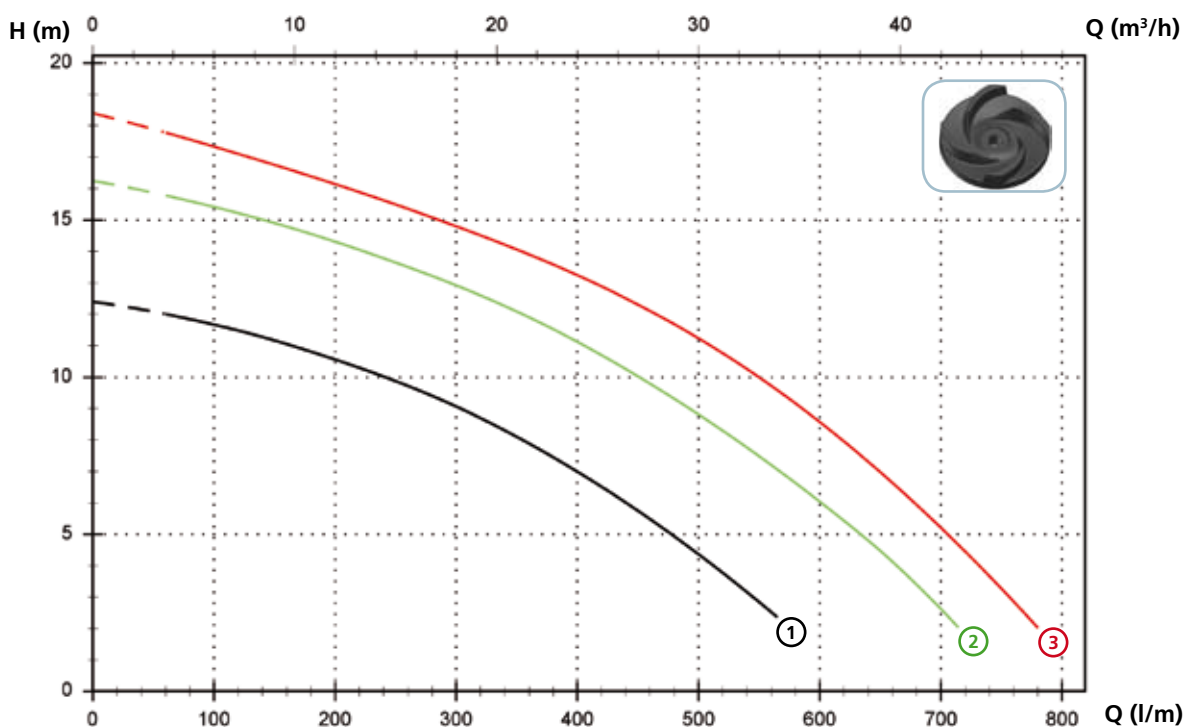
(*) A = H07RN-F 4G1 - 5 m cable length. Optional 10 m cable length
 Attention: Standard EN 60335-2-41 requires the use of a 10 m cable length in outdoor applications

DRO

Models with horizontal GAS 2" threaded - DN50 PN10-16 flanged delivery port - 2 poles

Performances

	l/s	0	2	4	6	8	10	12
	l/min	0	120	240	360	480	600	720
	m ³ /h	0	7,2	14,4	21,6	28,8	36,0	43,2
①	DRO 100/2/G50H A0CM(T)/50	12,4	11,5	10,0	7,9	4,9		
②	DRO 150/2/G50H A0CM(T)/50	16,3	15,2	13,8	11,9	9,3	6,0	
③	DRO 200/2/G50H A0CM(T)/50	18,4	17,1	15,6	13,9	11,7	8,6	4,5



Technical data

	V	Phases	P1 (kW)	P2 (kW)	A	Rpm	Ø	Cable (*)	Free passage	
①	DRO 100/2/G50H A0CM/50	230	1	-	0.88	6.5	2900	G 2"- DN50 PN10-16	A	15 mm
②	DRO 150/2/G50H A0CM/50	230	1	-	1.1	8.2	2900	G 2"- DN50 PN10-16	A	15 mm
③	DRO 200/2/G50H A0CM/50	230	1	-	1.5	9.3	2900	G 2"- DN50 PN10-16	A	15 mm

	V	Phases	P1 (kW)	P2 (kW)	A	Rpm	Ø	Cable (*)	Free passage	
①	DRO 100/2/G50H A0CT/50	400	3	-	0.88	2.3	2900	G 2"- DN50 PN10-16	A	15 mm
②	DRO 150/2/G50H A0CT/50	400	3	-	1.1	2.7	2900	G 2"- DN50 PN10-16	A	15 mm
③	DRO 200/2/G50H A0CT/50	400	3	-	1.5	3.5	2900	G 2"- DN50 PN10-16	A	15 mm

(*) A = H07RN-F 4G1 - 5 m cable length. Optional 10 m cable length
 Attention: Standard EN 60335-2-41 requires the use of a 10 m cable length in outdoor applications

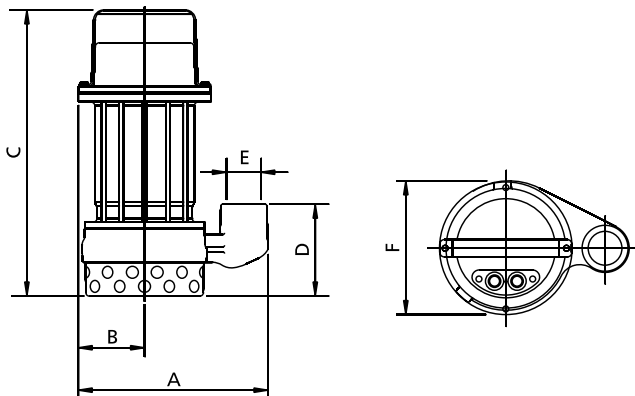
Versions available

(Key to versions on page 15)

	Electrical variants												Cooling		Mechanical seals					
	N A E	T	T C	T C D	T C D T	T C D G T	T C G	T C S T	T C S G T	T S	T R	T R G	F T	C G F T	N	CC	2SIC	SICM	SICAL	2SICAL
DRO 50/2/G32V A0CM/50		●						●	●					●					●	
DRO 75/2/G32V A0CM/50		●						●	●					●					●	
DRO 100/2/G50V A0CM/50		●						●	●					●					●	
DRO 150/2/G50V A0CM/50		●						●	●					●					●	
DRO 200/2/G50V A0CM/50		●						●	●					●					●	
DRO 100/2/G50H A0CM/50		●						●	●					●					●	
DRO 150/2/G50H A0CM/50		●						●	●					●					●	
DRO 200/2/G50H A0CM/50		●						●	●					●					●	
DRO 50/2/G32V A0CT/50	●													●					●	
DRO 75/2/G32V A0CT/50	●													●					●	
DRO 100/2/G50V A0CT/50	●													●					●	
DRO 150/2/G50V A0CT/50	●													●					●	
DRO 200/2/G50V A0CT/50	●													●					●	
DRO 100/2/G50H A0CT/50	●													●					●	
DRO 150/2/G50H A0CT/50	●													●					●	
DRO 200/2/G50H A0CT/50	●													●					●	

Overall dimensions and weights

Models with vertical delivery port

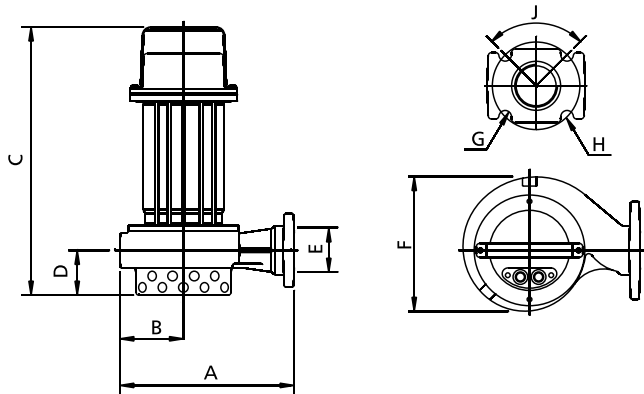


	A	B	C	D	E	F	kg
DRO 50/2/G32V A0CM(T)/50	220	75	330	105	G 1 1/4"	155	15
DRO 75/2/G32V A0CM(T)/50	220	75	330	105	G 1 1/4"	155	15.5
DRO 100/2/G50V A0CM(T)/50	260	95	385	125	G 2"	195	19.5
DRO 150/2/G50V A0CM(T)/50	260	95	385	125	G 2"	195	20.5
DRO 200/2/G50V A0CM(T)/50	260	95	385	125	G 2"	195	21.5

Measurements in mm

DRO

Models with horizontal delivery port

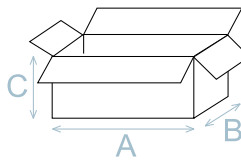


	A	B	C	D	E	F	G	H	J	kg
DRO 100/2/G50H A0CM(T)/50	250	90	385	65	G 2"-DN50	195	18	125	90°	19.5
DRO 150/2/G50H A0CM(T)/50	250	90	385	65	G 2"-DN50	195	18	125	90°	20.5
DRO 200/2/G50H A0CM(T)/50	250	90	385	65	G 2"-DN50	195	18	125	90°	21.5

Measurements in mm

Packaging dimension

	A	B	C
DRO 50/2/G32V A0CM(T)/50	385	225	245
DRO 75/2/G32V A0CM(T)/50	385	225	245
DRO 100/2/G50V A0CM(T)/50	475	285	235
DRO 150/2/G50V A0CM(T)/50	475	285	235
DRO 200/2/G50V A0CM(T)/50	475	285	235
DRO 100/2/G50H A0CM(T)/50	475	285	235
DRO 150/2/G50H A0CM(T)/50	475	285	235
DRO 200/2/G50H A0CM(T)/50	475	285	235

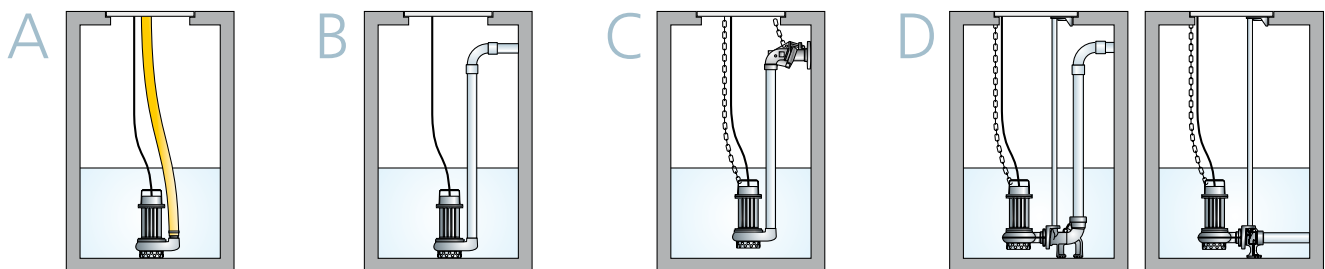


Dimension in mm

No. pieces per pallet

For DRO 50-75 models each pallet (EUR 1000X1200 mm) is able to take 48 pieces.
 For DRO 100-150-200 models each pallet (EUR 1000X1200 mm) is able to take 32 pieces.

Installations available





motralec

4 rue Lavoisier . ZA Lavoisier . 95223 HERBLAY CEDEX
Tel. : 01.39.97.65.10 / Fax. : 01.39.97.68.48
Demande de prix / e-mail : service-commercial@motralec.com

www.motralec.com