

DG Blue

motralec

4 rue Lavoisier . ZA Lavoisier . 95223 HERBLAY CEDEX
 Tel. : 01.39.97.65.10 / Fax. : 01.39.97.68.48
 Demande de prix / e-mail : service-commercial@motralec.com
www.motralec.com



Set-back Vortex impeller

General characteristics

- set-back vortex impeller
- 0,3 ÷ 0,74 kW motor power
- 2 poles
- GAS 1 1/2" delivery port
- max 40 mm free passage

Electromechanical assembly

Electromechanical assembly in EN-GJL-250 cast iron, for submerged operation, fitted with 2 (two) opposing mechanical seals in silicon carbide and alumina graphite in oil sump, and V-ring in direct contact with the liquid. Ecological dry motor. Pump body in single casting with motor casing. Series not available in explosion-proof version.

Applications

Used with soiled biological wastewaters and sewage. Suitable and reliable for domestic use and residential applications.

Construction materials

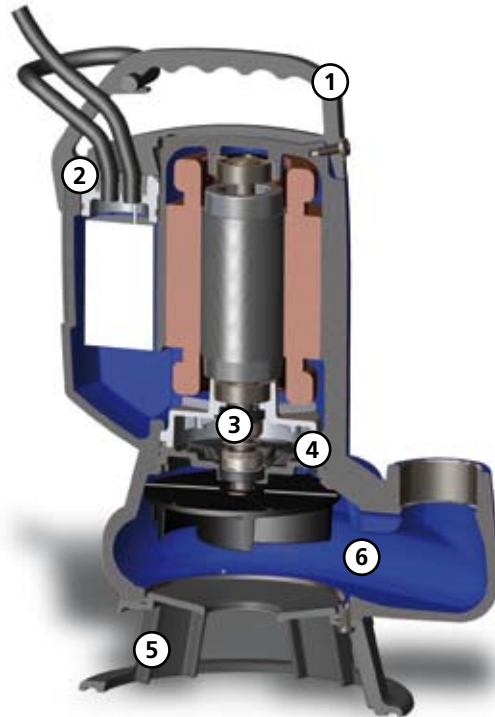
Case	Cast iron EN-GJL 250
Impeller	Technopolymer
Nuts and bolts	Stainless steel - Class A2-70
Standard gasket	Rubber - NBR
Shaft	Stainless steel - AISI 420
Set of standard mechanical seals	One silicon carbide mechanical seal (SiC) and one carbon-aluminium oxide mechanical seal (AL)

Operating limits

Maximum operating temperature	40 °C
PH of treated fluid	6 to 10 pH
Viscosity of treated fluid	1 mm ² /s
Maximum immersion depth	20 m
Density of treated fluid	1 Kg/dm ³
Maximum acoustic pressure	70 dB
max starts per hour	20

Models available in IECEx certified version

DG Blue



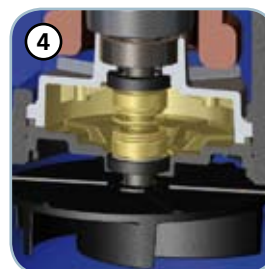
Lifting handle
Convenient technopolymer lifting and carrying handle



Cable Gland System
Innovative cable gland system with twin O-rings to ensure maximum tightness



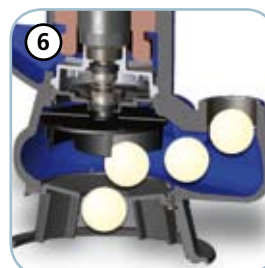
Mechanical seals
One silicon carbide mechanical seal (SiC) and one carbon-aluminium oxide mechanical seal (AL)



Seal sump
Oil chamber which guarantees longer mechanical seal lifetime, and is easily accessible thanks to a patented system to simplify maintenance procedures



Support foot
Support foot in impact-resistant polypropylene



Free passage
Full free passage allowing the expulsion of solids and preventing fouling of the impeller

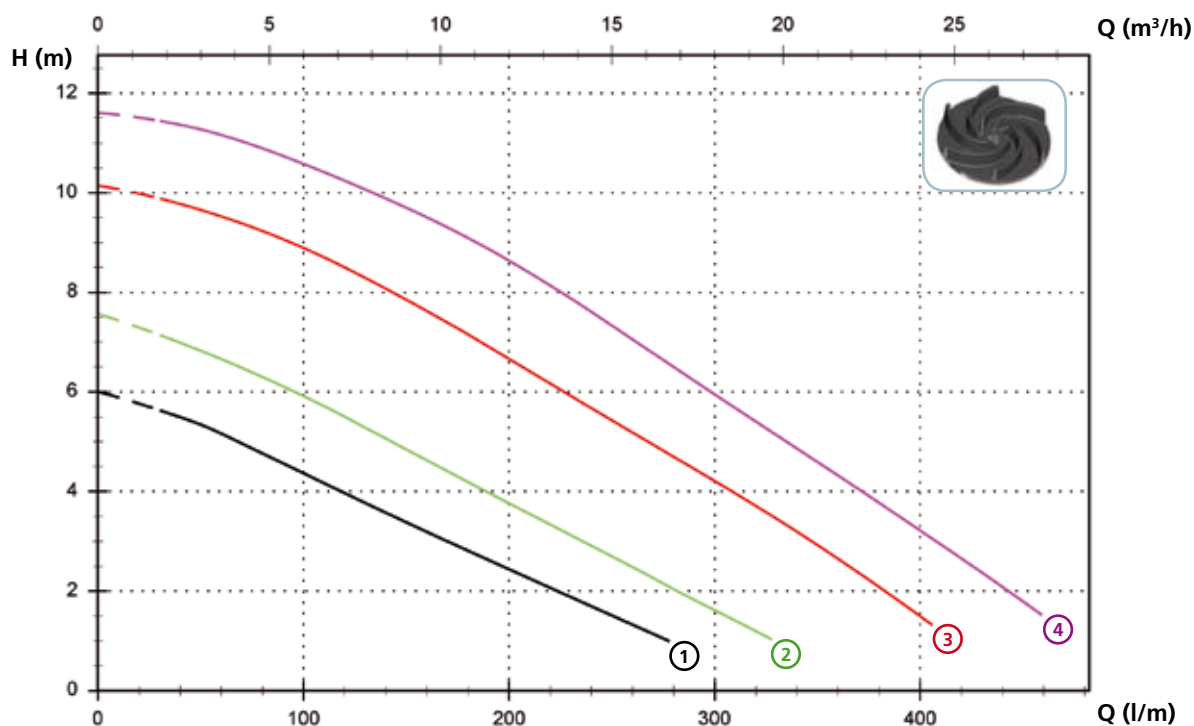


DG Blue

Models with vertical GAS 1 1/2" threaded delivery port - 2 poles

Performances

	l/s	0	1	2	3	4	5	6	7
	l/min	0	60	120	180	240	300	360	420
	m ³ /h	0	3,6	7,2	10,8	14,4	18,0	21,6	25,2
① DG Blue 40/2/G40V A1BM/50		6,0	5,2	4,0	2,8	1,7			
② DG Blue 50/2/G40V A1BM/50		7,6	6,7	5,5	4,2	2,9	1,6		
③ DG Blue 75/2/G40V A1BM/50		10,1	9,5	8,5	7,2	5,7	4,2	2,6	
④ DG Blue 100/2/G40V A1BM/50		11,6	11,2	10,2	9,1	7,6	6,0	4,3	2,7



Technical data

	V	Phases	P1 (kW)	P2 (kW)	A	Rpm	Ø	Cable (*)	Free passage
① DG Blue 40/2/G40V A1BM/50	230	1	-	0.3	2.3	2900	G 1 1/2"	A	40 mm
② DG Blue 50/2/G40V A1BM/50	230	1	-	0.37	2.8	2900	G 1 1/2"	A	40 mm
③ DG Blue 75/2/G40V A1BM/50	230	1	-	0.55	4.1	2900	G 1 1/2"	A	40 mm
④ DG Blue 100/2/G40V A1BM/50	230	1	-	0.74	5.6	2900	G 1 1/2"	A	40 mm

(*) A = H07RN-F 3G1 - 5 m cable length with schuko plug. Optional 10 m cable length with schuko plug.
 Attention: Standard EN 60335-2-41 requires the use of a 10 m cable length in outdoor applications

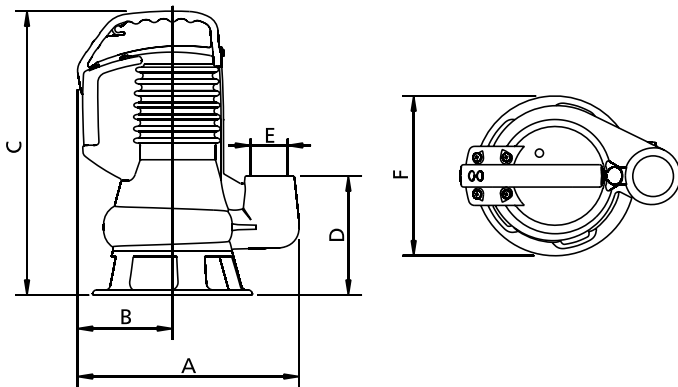
DG Blue

Versions available

(Key to versions on page 15)

	Electrical variants											Cooling		Mechanical seals					
	N A E	T C	T C D	T C D T	T C D G T	T C G	T C S T	T C S G T	T C S T S	T R	T R G	T F T	C G F T	N	CC	2SIC	SICM	SICAL	2SICAL
DG Blue 40/2/G40V A1BM/50						●								●				●	
DG Blue 50/2/G40V A1BM/50						●								●				●	
DG Blue 75/2/G40V A1BM/50						●								●				●	
DG Blue 100/2/G40V A1BM/50						●								●				●	

Overall dimensions and weights

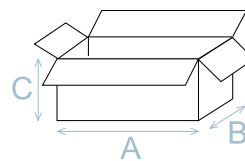


	A	B	C	D	E	F	kg
DG Blue 40/2/G40V A1BM/50	265	115	335	140	G 1 1/2"	190	12.5
DG Blue 50/2/G40V A1BM/50	265	115	335	140	G 1 1/2"	190	13
DG Blue 75/2/G40V A1BM/50	265	115	335	140	G 1 1/2"	190	15
DG Blue 100/2/G40V A1BM/50	265	115	335	140	G 1 1/2"	190	15.5

Measurements in mm

Packaging dimension

	A	B	C
DG Blue 40/2/G40V A1BM/50	240	200	400
DG Blue 50/2/G40V A1BM/50	240	200	400
DG Blue 75/2/G40V A1BM/50	240	200	400
DG Blue 100/2/G40V A1BM/50	240	200	400



Dimension in mm

No. pieces per pallet

For DG Blue models each pallet (EUR 1000X1200 mm) is able to take 75 pieces.

Installations available

