

**DGI**

## Set-back Vortex impeller

### General characteristics

- Set-back Vortex impeller
- 0,74 ÷ 1,5 kW motor power
- 2 / 4 poles
- DN80 delivery port
- max 80 mm free passage

### Electromechanical assembly

Electromechanical assembly in GJL-250 cast iron, for submerged operation. Seal set comprising 1 (one) silicon carbide mechanical seal and 1 (one) graphite alumina lip seal, installed in series in inspectable oil sump. Ecological dry motor. Separate pump body. Series not available in explosion-proof version.

### Applications

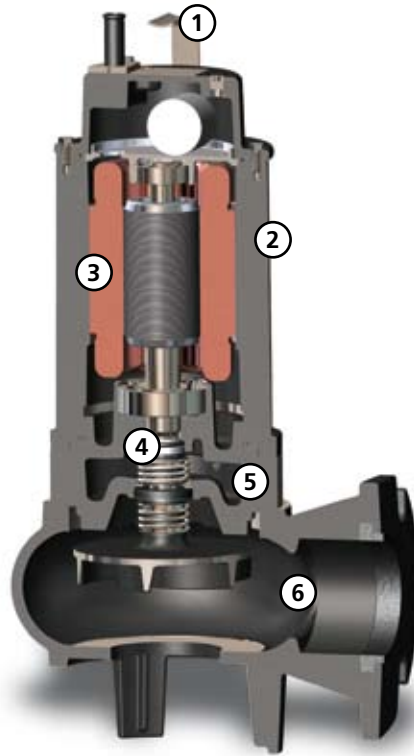
Suitable for heavy-duty applications with soiled biological wastewaters, sewage, rainwater and seepage.

### Construction materials

|   |   |
|---|---|
| <b>Case</b>                             | Cast Iron EN-GJL 250  |
| <b>Impeller</b>                         | Cast iron EN-GJL-250  |
| <b>Nuts and bolts</b>                   | Stainless Steel - Class A2-70   |
| <b>Standard gasket</b>                  | Rubber - NBR  |
| <b>Shaft</b>                            | Stainless Steel - AISI 420  |
| <b>Set of standard mechanical seals</b> | One Silicon carbide mechanical seal (SiC) and One Carbon-Aluminium oxide mechanical seal (AL) |

### operating limits

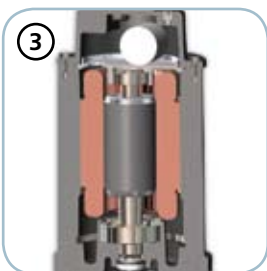
|                                      |                      |
|--------------------------------------|----------------------|
| <b>Maximum operating temperature</b> | 40 °C                |
| <b>PH of treated fluid</b>           | 6 to 10 pH           |
| <b>Viscosity of treated fluid</b>    | 1 mm <sup>2</sup> /s |
| <b>Maximum immersion depth</b>       | 20 m                 |
| <b>Density of treated fluid</b>      | 1 Kg/dm <sup>3</sup> |
| <b>Maximum acoustic pressure</b>     | 70 dB                |
| <b>max starts per hour</b>           | 20                   |



**Handle**  
AISI 304 stainless steel lifting and carrying handle



**Structure**  
Constructed in GJL-250 cast iron



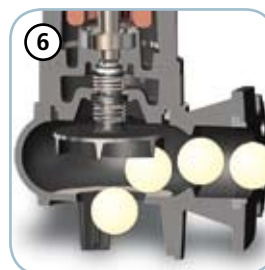
**Motor**  
Ecological dry motor with thermal overloads



**Mechanical seals**  
One mechanical seal in silicon carbide (SiC) and one mechanical seal in alumina graphite (AL)



**Oil sump**  
Large oil sump to guarantee longer mechanical seal lifetime



**Free passage**  
Ample free passage allowing the expulsion of solids and preventing fouling of the impeller

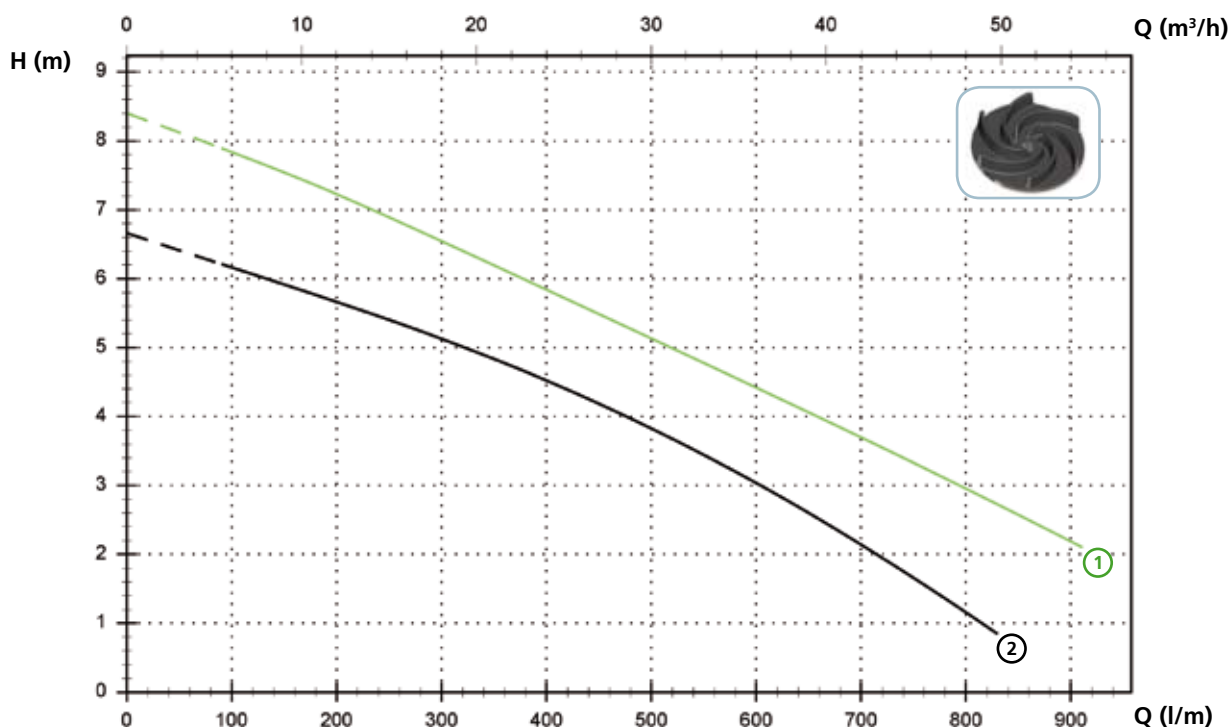


# DGI

## Models with horizontal DN80 PN10 flanged delivery port - 2 poles DN80 PN10-16 flanged delivery port - 4 poles

### Performances

|   | l/s                     | 0   | 2   | 4    | 6    | 8    | 10   | 12   | 14   |
|---|-------------------------|-----|-----|------|------|------|------|------|------|
|   | l/min                   | 0   | 120 | 240  | 360  | 480  | 600  | 720  | 840  |
|   | m <sup>3</sup> /h       | 0   | 7,2 | 14,4 | 21,6 | 28,8 | 36,0 | 43,2 | 50,4 |
| ① | DGI 200/2/80 A0CM(T)/50 | 8,4 | 7,7 | 7,0  | 6,1  | 5,3  | 4,4  | 3,6  | 2,6  |
| ② | DGI 100/4/80 A0CM(T)/50 | 6,7 | 6,1 | 5,5  | 4,8  | 4,0  | 3,0  | 2,0  |      |



### Technical data

|   | V                    | Phases | P1 (kW) | P2 (kW) | A    | Rpm | Ø    | Cable (*)    | Free passage |       |
|---|----------------------|--------|---------|---------|------|-----|------|--------------|--------------|-------|
| ① | DGI 200/2/80 A0CM/50 | 230    | 1       | -       | 1.5  | 9.3 | 2900 | DN80 PN10    | A            | 50 mm |
| ② | DGI 100/4/80 A0CM/50 | 230    | 1       | -       | 0.74 | 5.5 | 1450 | DN80 PN10-16 | A            | 80 mm |

|   | V                    | Phases | P1 (kW) | P2 (kW) | A    | Rpm | Ø    | Cable (*)    | Free passage |       |
|---|----------------------|--------|---------|---------|------|-----|------|--------------|--------------|-------|
| ① | DGI 200/2/80 A0CT/50 | 400    | 3       | -       | 1.5  | 3.5 | 2900 | DN80 PN10    | B            | 50 mm |
| ② | DGI 100/4/80 A0CT/50 | 400    | 3       | -       | 0.74 | 2.3 | 1450 | DN80 PN10-16 | B            | 80 mm |

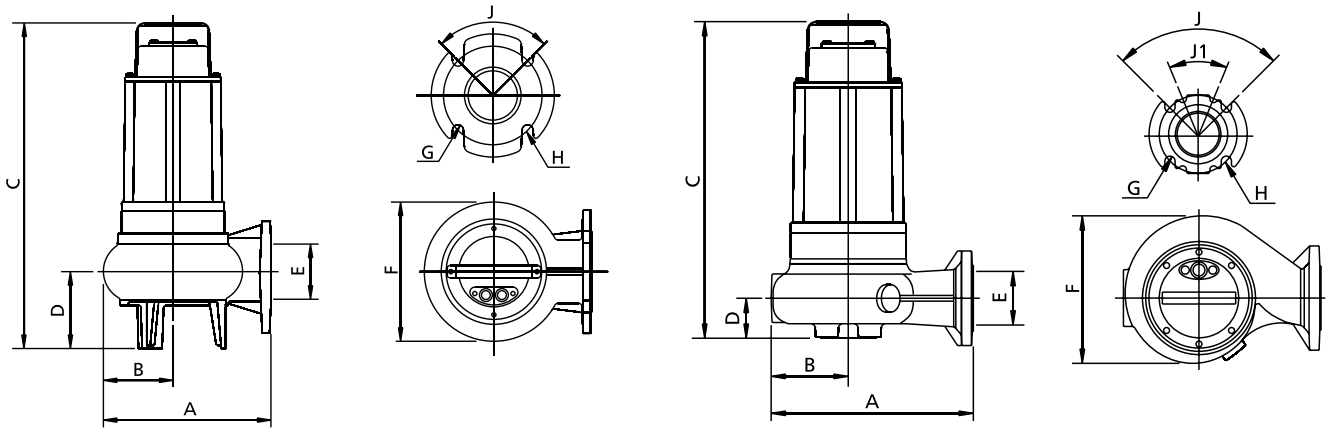
(\*) A = H07RN-F 3G1 - 10 m cable with shuko plug  
B = H07RN-F 4G1 - 10 m cable

**Versions available**

(Key to versions on page 15)

|                      | Electrical variants |        |             |                  |                       |             |                  |                       |        |        | Cooling     |        | Mechanical seals |   |    |      |      |       |        |
|----------------------|---------------------|--------|-------------|------------------|-----------------------|-------------|------------------|-----------------------|--------|--------|-------------|--------|------------------|---|----|------|------|-------|--------|
|                      | N<br>A<br>E         | T<br>C | T<br>C<br>D | T<br>C<br>D<br>T | T<br>C<br>D<br>G<br>T | T<br>C<br>G | T<br>C<br>S<br>T | T<br>C<br>S<br>G<br>T | T<br>S | T<br>R | T<br>R<br>G | F<br>T | C<br>G<br>F<br>T | N | CC | 2SIC | SICM | SICAL | 2SICAL |
| DGI 200/2/80 A0CM/50 |                     | ●      |             |                  |                       | ●           |                  |                       |        |        |             |        |                  | ● |    |      |      |       | ●      |
| DGI 200/2/80 A0CT/50 |                     |        |             |                  |                       |             |                  |                       | ●      | ●      |             |        |                  | ● |    |      |      |       | ●      |
| DGI 100/4/80 A0CM/50 |                     | ●      |             |                  |                       | ●           |                  |                       |        |        |             |        |                  | ● |    |      |      |       | ●      |
| DGI 100/4/80 A0CT/50 |                     |        |             |                  |                       |             |                  |                       | ●      | ●      |             |        |                  | ● |    |      |      |       | ●      |

**Overall dimensions and weights**



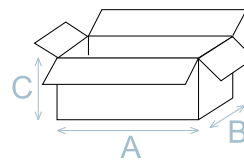
|                         | A   | B   | C   | D   | E  | F   | G  | H   | J   | J1  | kg |
|-------------------------|-----|-----|-----|-----|----|-----|----|-----|-----|-----|----|
| DGI 200/2/80 A0CM(T)/50 | 270 | 115 | 530 | 125 | 80 | 225 | 18 | 160 | 90° | -   | 34 |
| DGI 100/4/80 A0CM(T)/50 | 315 | 125 | 525 | 80  | 80 | 245 | 18 | 160 | 90° | 45° | 40 |

Measurements in mm

**Packaging dimension**

|                         | A   | B   | C   |
|-------------------------|-----|-----|-----|
| DGI 200/2/80 A0CM(T)/50 | 725 | 445 | 415 |
| DGI 100/4/80 A0CM(T)/50 | 725 | 445 | 415 |

Dimension in mm



**Installations available**

