

AP BluePRO



High head impeller

General characteristics

- high head impeller
- 0,74 ÷ 1,5 kW motor power
- 2 poles
- GAS 1 1/2" horizontal delivery port
- max 6 mm free passage

Electromechanical assembly

Electromechanical assembly in EN-GJL-250 cast iron, for submerged operation, fitted with 2 (two) opposing silicon carbide mechanical seals in oil sump, and V-ring in direct contact with the liquid. Ecological dry motor. Pump body in single casting with motor casing. Series not available in explosion-proof version.

Applications

Used for clear wastewater, rainwater and seepage containing small amounts of sand. Its high manometric head makes this series suitable for the creation of water features and decorative fountains. This electric pump is intended for both domestic and professional use.

Construction materials

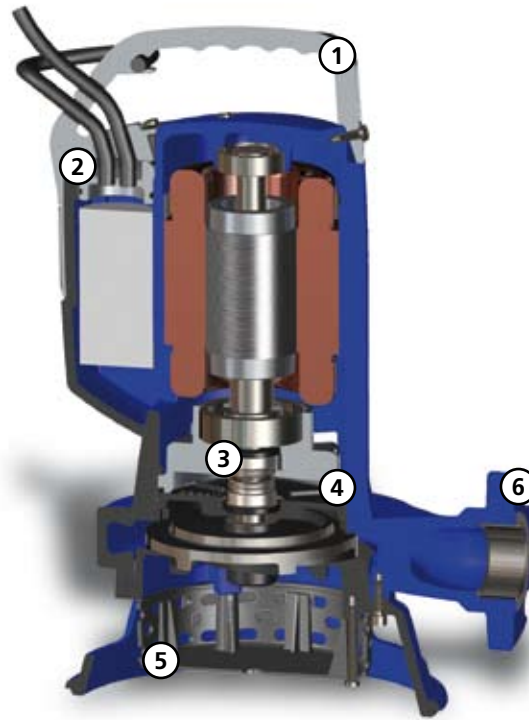
Case	Cast iron EN-GJL 250
Impeller	Cast iron EN-GJL-250
Nuts and bolts	Stainless steel - Class A2-70
Standard gasket	Rubber - NBR
Shaft	Stainless steel - AISI 420
Set of standard mechanical seals	Two silicon carbide mechanical seals (2SiC)

Operating limits

Maximum operating temperature	40 °C
PH of treated fluid	6 to 10 pH
Viscosity of treated fluid	1 mm ² /s
Maximum immersion depth	20 m
Density of treated fluid	1 Kg/dm ³
Maximum acoustic pressure	70 dB
max starts per hour	20

Models available in IECEx certified version

AP BluePRO



Lifting handle
Aluminium lifting and carrying handle



Cable Gland System
Innovative cable gland system with twin O-rings to ensure maximum tightness



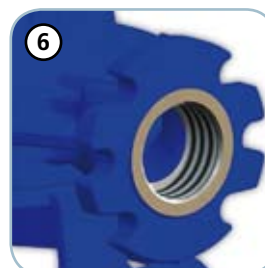
Mechanical seals
Two silicon carbide mechanical seals (2SiC)



Seal sump
Oil chamber which guarantees longer mechanical seal lifetime, and is easily accessible thanks to a patented system to simplify maintenance procedures



Intake strainer
Intake strainer in impact-resistant polypropylene and spheroidal cast iron feet



Delivery port
Threaded, flanged delivery port for the maximum ease of installation

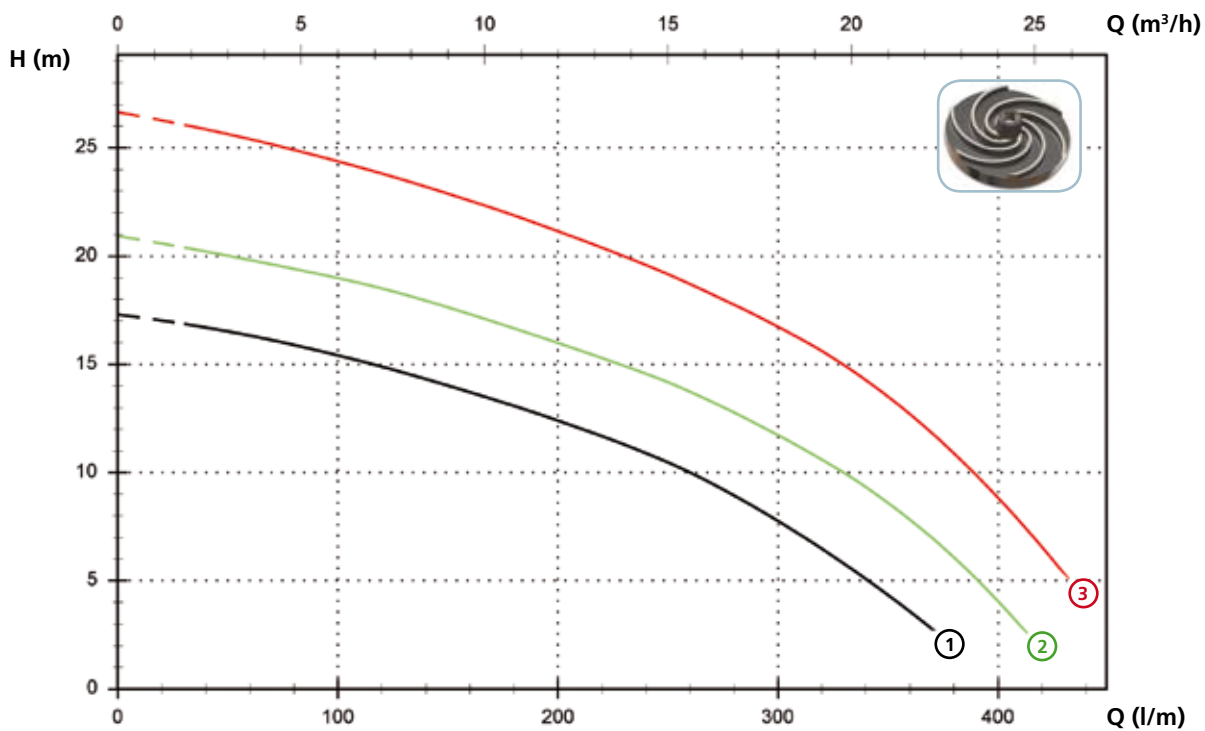


AP BluePRO

Models with horizontal GAS 1 1/2" threaded delivery port and DN32 PN6 flange - 2 poles

Performances

	l/s	0	1	2	3	4	5	6	7
	l/min	0	60	120	180	240	300	360	420
	m ³ /h	0	3,6	7,2	10,8	14,4	18,0	21,6	25,2
① AP BluePRO 100/2/G40H A1CM(T)/50		17,3	16,3	14,9	13,1	10,9	7,8	3,6	
② AP BluePRO 150/2/G40H A1CM(T)/50		20,9	19,8	18,5	16,7	14,6	11,7	7,8	
③ AP BluePRO 200/2/G40H A1CM(T)/50		26,6	25,4	23,8	21,9	19,6	16,7	12,7	6,6



Technical data

	V	Phases	P1 (kW)	P2 (kW)	A	Rpm	Ø	Cable (*)	Free passage
① AP BluePRO 100/2/G40H A1CM/50	230	1	-	0.74	5.5	2900	G 1 1/2"-DN32 PN6	A	6 mm
② AP BluePRO 150/2/G40H A1CM/50	230	1	-	1.1	7.5	2900	G 1 1/2"-DN32 PN6	A	6 mm
③ AP BluePRO 200/2/G40H A1CM/50	230	1	-	1.5	10	2900	G 1 1/2"-DN32 PN6	A	6 mm

	V	Phases	P1 (kW)	P2 (kW)	A	Rpm	Ø	Cable (*)	Free passage
① AP BluePRO 100/2/G40H A1CT/50	400	3	-	0.74	2.7	2900	G 1 1/2"-DN32 PN6	B	6 mm
② AP BluePRO 150/2/G40H A1CT/50	400	3	-	1.1	3.2	2900	G 1 1/2"-DN32 PN6	B	6 mm
③ AP BluePRO 200/2/G40H A1CT/50	400	3	-	1.5	4.3	2900	G 1 1/2"-DN32 PN6	B	6 mm

(*) A = H07RN-F 3G1 - 5 m cable length with schuko plug. Optional 10 m cable length with schuko plug.
 B = H07RN-F 4G1 - 10 m cable length

Attention: Standard EN 60335-2-41 requires the use of a 10 m cable length in outdoor applications

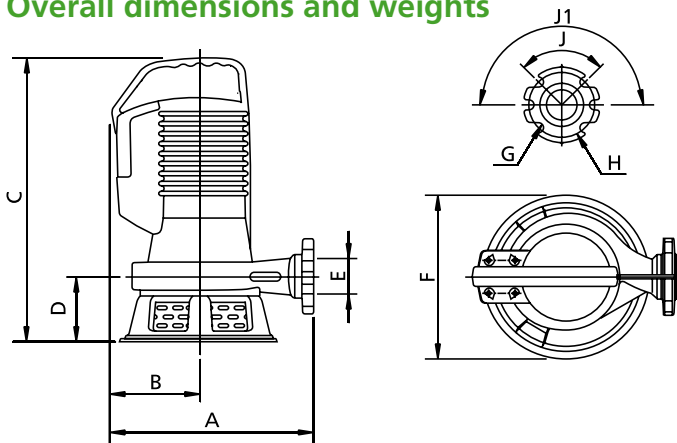
AP BluePRO

Versions available

(Key to versions on page 15)

	Electrical variants											Cooling		Mechanical seals					
	N A E	T C	T C D	T C D T	T C D G T	T C G	T C S T	T C S G T	T S	T R	T R G	F T	C G F T	N	CC	2SIC	SICM	SICAL	2SICAL
AP BluePRO 100/2/G40H A1CM/50		●				●								●		●			
AP BluePRO 100/2/G40H A1CT/50										●	●			●		●			
AP BluePRO 150/2/G40H A1CM/50		●				●								●		●			
AP BluePRO 150/2/G40H A1CT/50										●	●			●		●			
AP BluePRO 200/2/G40H A1CM/50		●				●								●		●			
AP BluePRO 200/2/G40H A1CT/50										●	●			●		●			

Overall dimensions and weights

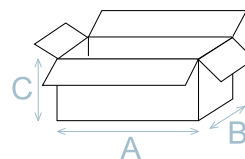


	A	B	C	D	E	F	G	H	J	J1	kg
AP BluePRO 100/2/G40H A1CM(T)/50	270	130	365	95	G 1 1/2"	220	14	90	90°	180°	19
AP BluePRO 150/2/G40H A1CM(T)/50	270	130	365	95	G 1 1/2"	220	14	90	90°	180°	24
AP BluePRO 200/2/G40H A1CM(T)/50	270	130	365	95	G 1 1/2"	220	14	90	90°	180°	26

Measurements in mm

Packaging dimension

	A	B	C
AP BluePRO 100/2/G40H A1CM(T)/50	300	250	400
AP BluePRO 150/2/G40H A1CM(T)/50	300	250	440
AP BluePRO 200/2/G40H A1CM(T)/50	300	250	440



Dimension in mm

No. pieces per pallet

For AP BluePRO models each pallet (EUR 1000X1200 mm) is able to take 32 pieces.

Installations available

