

# APS

**motralec**

4 rue Lavoisier . ZA Lavoisier . 95223 HERBLAY CEDEX  
 Tel. : 01.39.97.65.10 / Fax. : 01.39.97.68.48  
 Demande de prix / e-mail : [service-commercial@motralec.com](mailto:service-commercial@motralec.com)  
[www.motralec.com](http://www.motralec.com)



## High head impeller

### General characteristics

- High head impeller
- 0,9 kW motor power
- 2 poles
- GAS 1 1/2" - DN32 horizontal delivery port
- 7 mm free passage

### Electromechanical assembly

Electromechanical assembly in GJL-250 cast iron, for submerged operation. Seal set comprising 1 (one) silicon carbide mechanical seal and 1 (one) lip seal. Ecological dry motor. Pump body in single casting with motor casing. Series not available in explosion-proof version.

### Applications

Used for clear wastewater, rainwater and seepage containing small amounts of sand. The considerable manometric head makes these units suitable for irrigation and the fish processing sector.

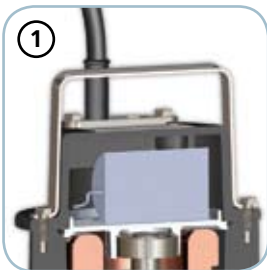
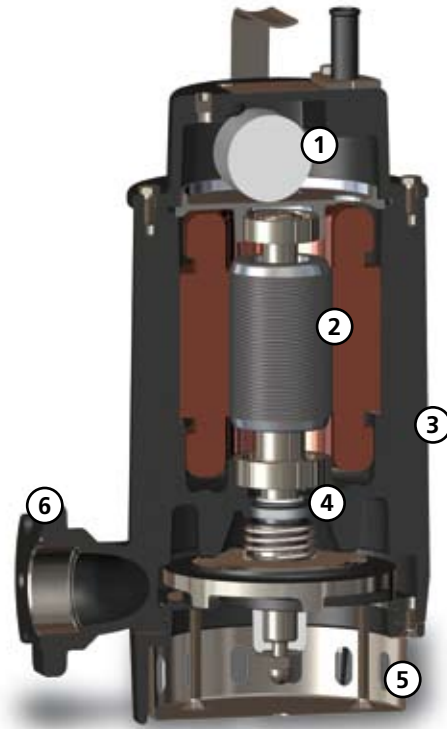
### Construction materials

Case	Cast Iron EN-GJL 250
Impeller	Cast iron EN-GJL-250
Nuts and bolts	Stainless Steel - Class A2-70
Standard gasket	Rubber - NBR
Shaft	Stainless Steel - AISI 420
Set of standard mechanical seals	One Silicon carbide mechanical seal (SiC)

### Operating limits

Maximum operating temperature	40 °C
PH of treated fluid	6 to 10 pH
Viscosity of treated fluid	1 mm <sup>2</sup> /s
Maximum immersion depth	20 m
Density of treated fluid	1 Kg/dm <sup>3</sup>
Maximum acoustic pressure	70 dB
max starts per hour	20

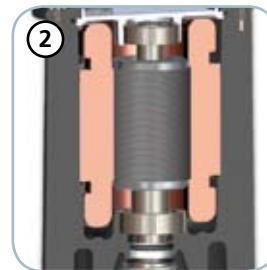
**Models available in IECEx certified version**



①

**Capacitor/relay**

Integral capacitor for single-phase models (relay for three-phase models)



②

**Motor**

Ecological dry motor with thermal overloads



③

**Structure**

Constructed in GJL-250 cast iron



④

**Mechanical seals**

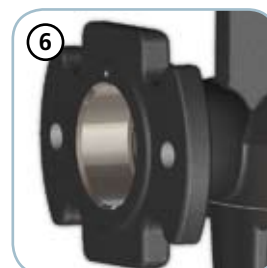
One mechanical seal in silicon carbide (SiC)



⑤

**Intake strainer**

Intake strainer in stainless steel



⑥

**Delivery port**

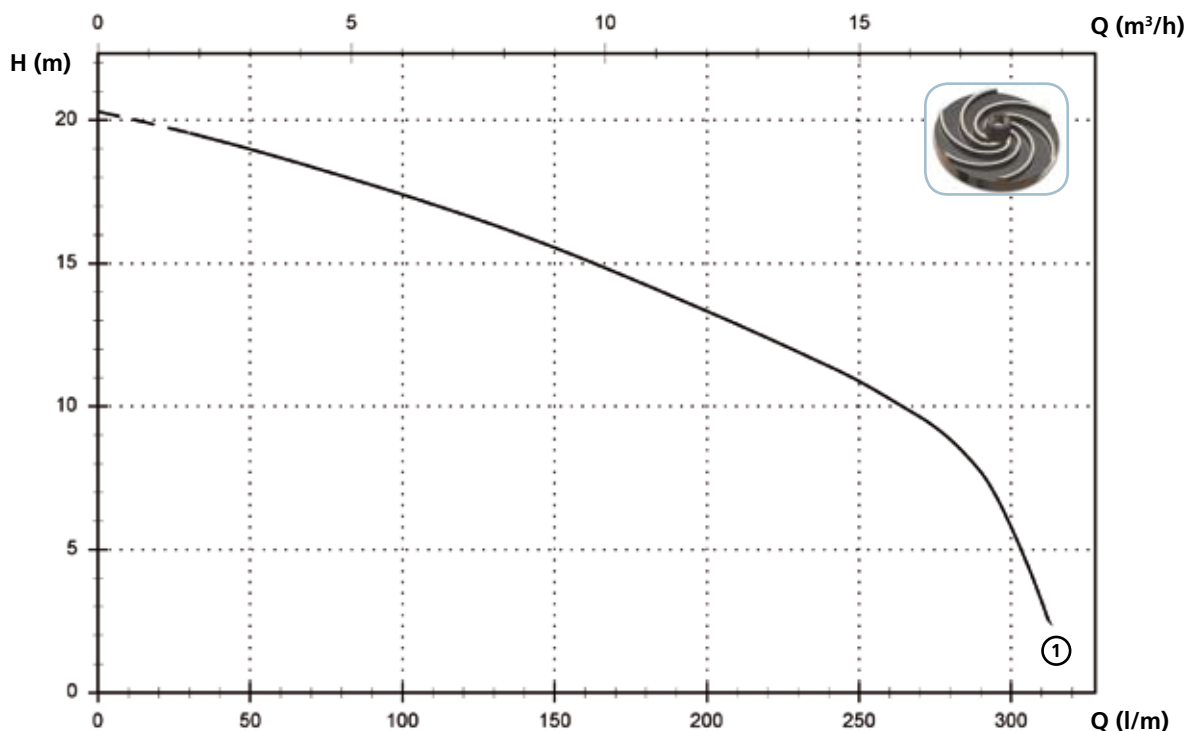
Threaded, flanged delivery port for the maximum ease of installation

# APS

## Models with horizontal GAS 1 1/2" threaded - DN32 PN6 flanged delivery port - 2 poles

### Performances

	l/s	0	1	2	3	4	5
	l/min	0	60	120	180	240	300
	m <sup>3</sup> /h	0	3,6	7,2	10,8	14,4	18,0
① APS 100/2/G40H A0CM(T)/50		20,3	18,7	16,7	14,2	11,4	5,8



### Technical data

	V	Phases	P1 (kW)	P2 (kW)	A	Rpm	Ø	Cable (*)	Free passage
① APS 100/2/G40H A0CM/50	230	1	-	0.9	6.6	2900	G 1 1/2"- DN32 PN6	A	7 mm
① APS 100/2/G40H A0CT/50	400	3	-	0.9	2.3	2900	G 1 1/2"- DN32 PN6	B	7 mm

(\*) A = H07RN-F 3G1 - 5 m cable length. Optional 10 m cable length with schuko plug.  
 B = H07RN-F 4G1 - 10 m cable length

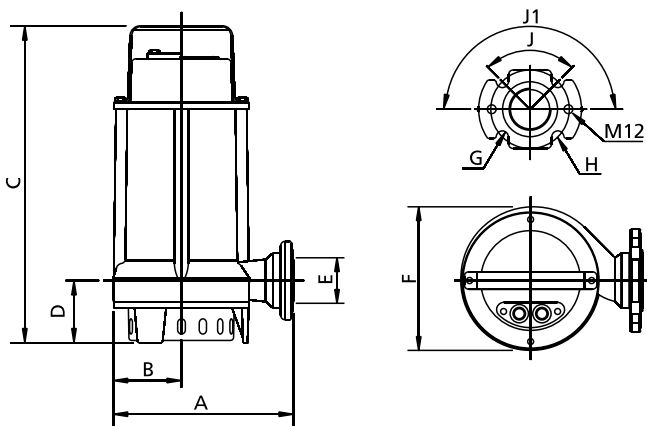
Attention: Standard EN 60335-2-41 requires the use of a 10 m cable length in outdoor applications

**Versions available**

(Key to versions on page 15)

	Electrical variants											Cooling		Mechanical seals					
	N A E	T C	T C D	T C D T	T C D G T	T C G	T C S T	T C S G T	T S	T R	T R G	F T	C G F T	N	CC	2SIC	SICM	SICAL	2SICAL
APS 100/2/G40H A0CM/50		●				●								●			●		
APS 100/2/G40H A0CT/50									●	●				●			●		

**Overall dimensions and weights**



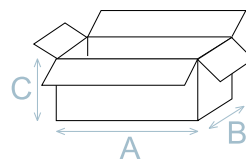
	A	B	C	D	E	F	G	H	J	J1	kg
APS 100/2/G40H A0CM(T)/50	210	80	370	80	G 1 1/2"-DN32	165	14	90	90°	180°	20

Measurements in mm

**Packaging dimension**

	A	B	C
APS 100/2/G40H A0CM(T)/50	385	225	245

Dimension in mm



**Installations available**

