

APF

motralec

4 rue Lavoisier . ZA Lavoisier . 95223 HERBLAY CEDEX
 Tel. : 01.39.97.65.10 / Fax. : 01.39.97.68.48
 Demande de prix / e-mail : service-commercial@motralec.com
www.motralec.com



High head impeller



General characteristics

- High head impeller
- 1,1÷ 1,5 kW motor power
- 2 poles
- GAS 1 1/2" - DN32 horizontal delivery port
- max 7 mm free passage

Electromechanical assembly

Electromechanical assembly in GJL-250 cast iron, for submerged operation. Seal set comprising 2 (two) silicon carbide mechanical seals assembled opposing in inspectable oil sump. Ecological dry motor. Separate pump body. Series with explosion-proof certification.

Applications

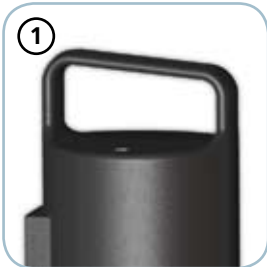
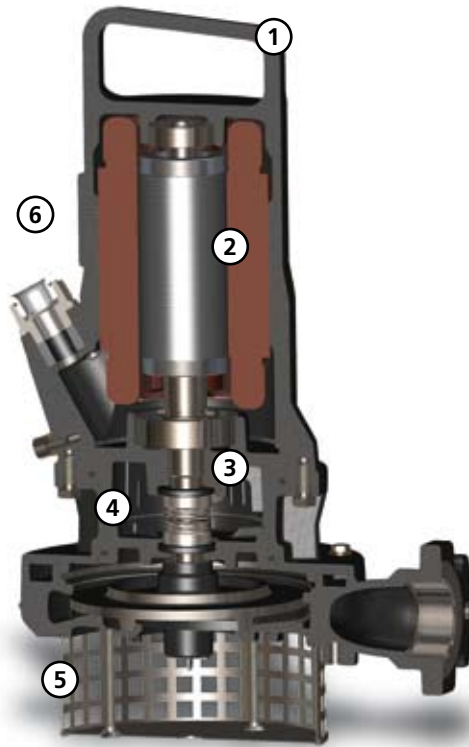
Designed specifically for use where there are traces of flammable liquids or in potentially explosive atmospheres, the APF can be used with liquids containing traces of flammable substances, and in gassy environments.

Construction materials

| | |
|----------------------------------|---|
| Case | Cast Iron EN-GJL 250 |
| Impeller | Cast iron EN-GJL-250 |
| Nuts and bolts | Stainless Steel - Class A2-70 |
| Standard gasket | Rubber - NBR - VITON |
| Shaft | Stainless Steel - AISI 420 |
| Set of standard mechanical seals | Two Silicon carbide mechanical seals (2SiC) |

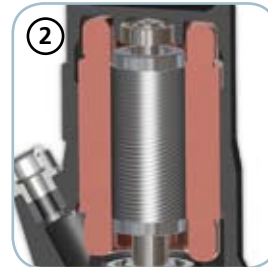
operating limits

| | |
|-------------------------------|----------------------|
| Maximum operating temperature | 40 °C |
| PH of treated fluid | 6 to 10 pH |
| Viscosity of treated fluid | 1 mm ² /s |
| Maximum immersion depth | 20 m |
| Density of treated fluid | 1 Kg/dm ³ |
| Maximum acoustic pressure | 70 dB |
| max starts per hour | 20 |



Handle/Cable gland

Cast iron lifting and carrying handle. The GAS thread ring-nut can be removed to fix a rigid or flexible duct to the cable gland to protect the power supply cable



Motor

Ecological dry motor with thermal overloads



Mechanical seals

Two mechanical seals in silicon carbide (2SiC)



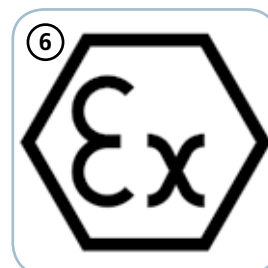
Oil sump

Large oil sump to guarantee longer mechanical seal lifetime



Intake strainer

Intake strainer in stainless steel



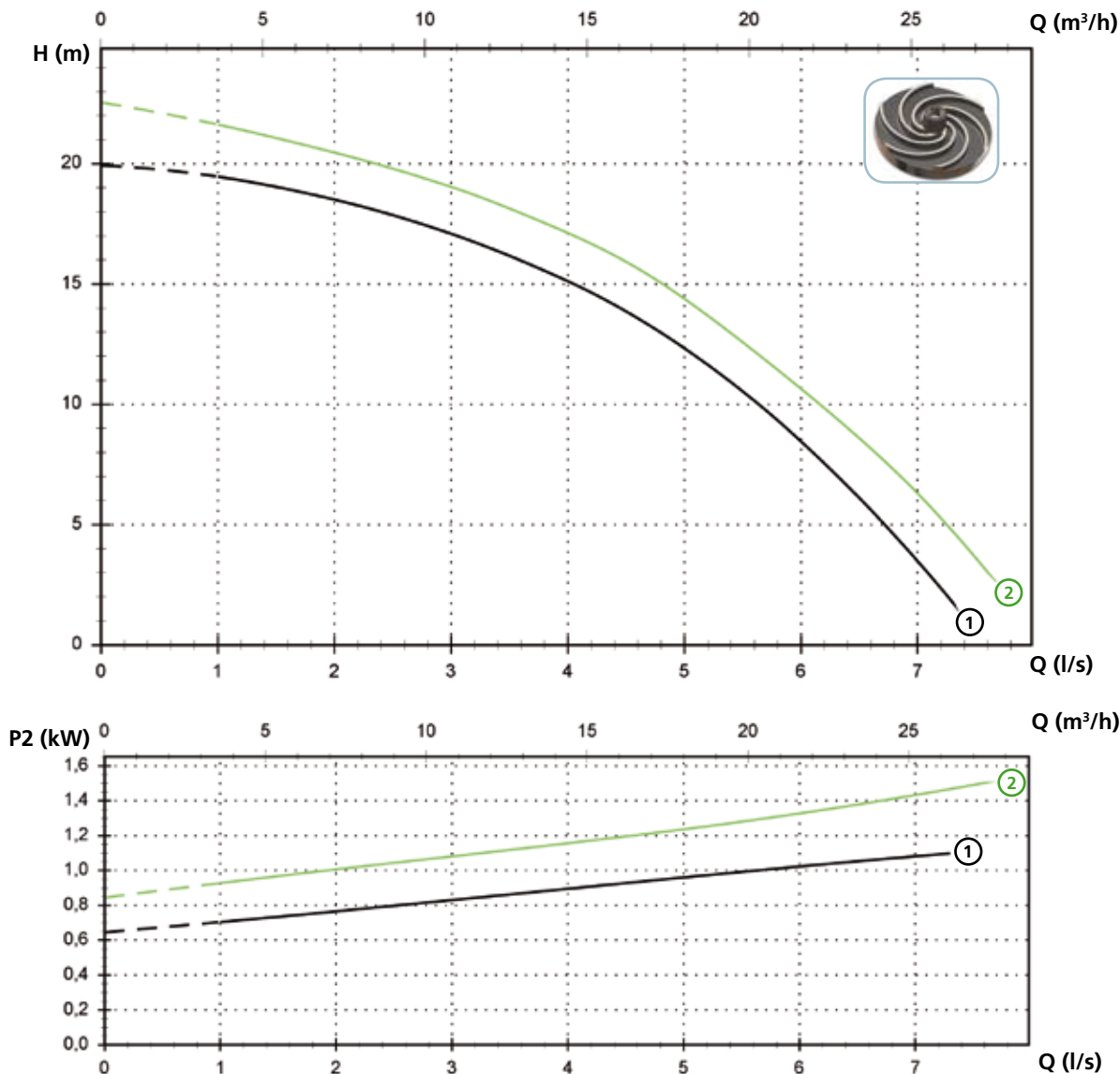
EX

Models with ATEX certification, suitable for installation in the presence of potentially explosive gases, powders and liquids

APF

Models with horizontal GAS 1 1/2" threaded - DN32 PN6 flanged delivery port - 2 poles

Performances



Technical data

| | V | Phases | P1 (kW) | P2 (kW) | A | Rpm | Ø | Cable (*) | Free passage |
|--------------------------|-----|--------|---------|---------|-----|------|---------------------|-----------|--------------|
| ① APF 150/2/G40H A1CM/50 | 230 | 1 | 1.6 | 1.1 | 7.2 | 2900 | G 1 1/2" - DN32 PN6 | A | 7 mm |
| ② APF 200/2/G40H A1CM/50 | 230 | 1 | 2.2 | 1.5 | 9.8 | 2900 | G 1 1/2" - DN32 PN6 | A | 7 mm |

| | V | Phases | P1 (kW) | P2 (kW) | A | Rpm | Ø | Cable (*) | Free passage |
|--------------------------|-----|--------|---------|---------|-----|------|---------------------|-----------|--------------|
| ① APF 150/2/G40H A1CT/50 | 400 | 3 | 1.7 | 1.1 | 2.9 | 2900 | G 1 1/2" - DN32 PN6 | A | 7 mm |
| ② APF 200/2/G40H A1CT/50 | 400 | 3 | 2.1 | 1.5 | 3.7 | 2900 | G 1 1/2" - DN32 PN6 | A | 7 mm |

(*) A = NSSHOU-J 4G1.5+2x0.75 - 10 m


 4 rue Lavoisier . ZA Lavoisier . 95223 HERBLAY CEDEX
 Tel. : 01.39.97.65.10 / Fax. : 01.39.97.68.48
 Demande de prix / e-mail : service-commercial@motralec.com
www.motralec.com

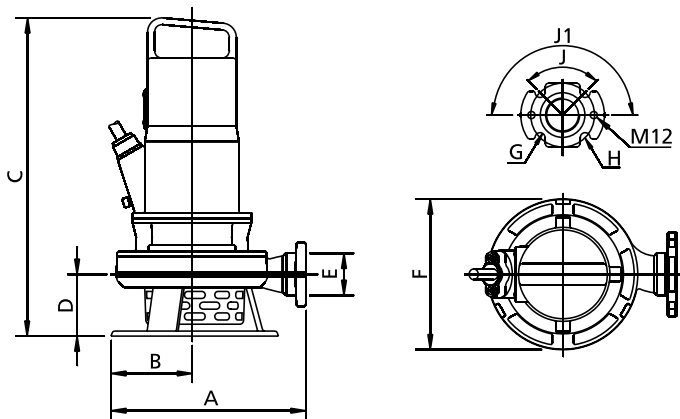
Versions available

(Key to versions on page 15)

| | Electrical variants | | | | | | | | | | | Cooling | | Mechanical seals | | | |
|------------------------|---------------------|--------|-------------|------------------|-----------------------|-------------|------------------|-----------------------|--------|--------|-------------|------------------|---|------------------|------|------|-------|
| | N A E | T C | T C D | T C D T | T C D G T | T C G | T C S T | T C S G T | T S | T R | T R G | C G F T | N | CC | 2SIC | SICM | SICAL |
| APF 150/2/G40H A1CM/50 | | ● | | | | | | | | | | ● | | ● | | | |
| APF 200/2/G40H A1CM/50 | | ● | | | | | | | | | | ● | | ● | | | |
| APF 150/2/G40H A1CT/50 | ● | | | | | | | | | | | ● | | ● | | | |
| APF 200/2/G40H A1CT/50 | ● | | | | | | | | | | | ● | | ● | | | |

NOTE: For single phase pumps thermal protections into the winding have to be connected to the electrical panel.
 Capacitor supplied but not connected to the pump cable.
 The use of an electrical panel as circuit breaker housing is mandatory.
 For installation please see use and maintenance instructions booklet.

Overall dimensions and weights



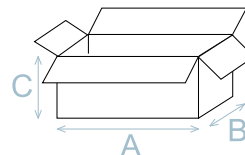
| | A | B | C | D | E | F | G | H | J | J1 | kg |
|---------------------------|-----|-----|-----|----|----------|-----|----|----|-----|------|----|
| APF 150/2/G40H A1CM(T)/50 | 265 | 105 | 440 | 80 | G 1 1/2" | 215 | 14 | 90 | 90° | 180° | 32 |
| APF 200/2/G40H A1CM(T)/50 | 265 | 105 | 440 | 80 | G 1 1/2" | 215 | 14 | 90 | 90° | 180° | 34 |

Measurements in mm

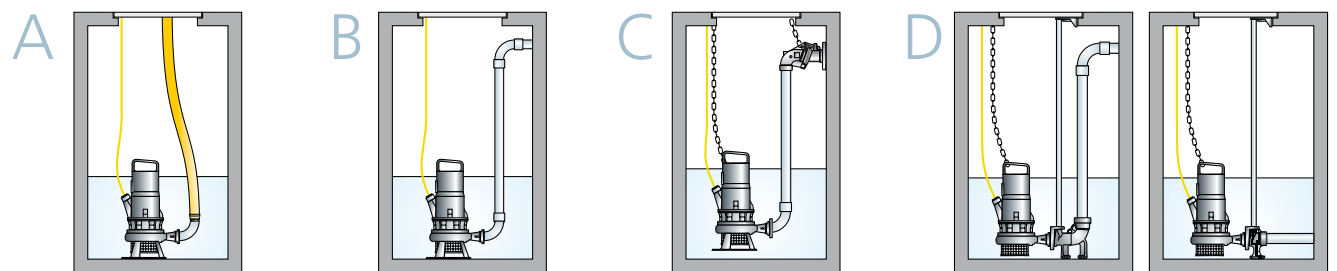
Packaging dimension

| | A | B | C |
|---------------------------|-----|-----|-----|
| APF 150/2/G40H A1CM(T)/50 | 580 | 310 | 310 |
| APF 200/2/G40H A1CM(T)/50 | 580 | 310 | 310 |

Dimension in mm



Installations available



Dry installation available for specified models. Contact Custome Service for more information.

