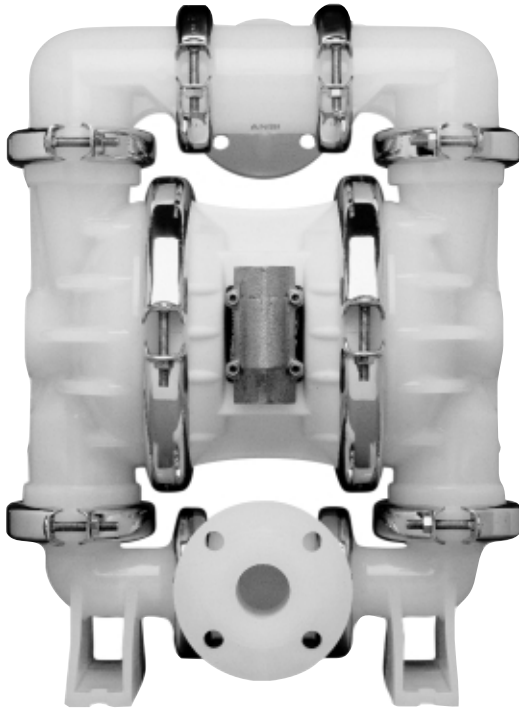




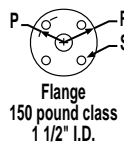
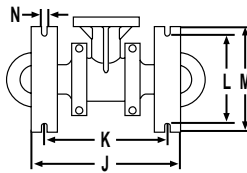
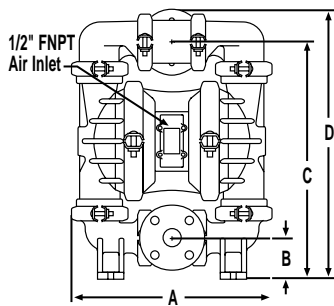
# WILDEN®

AIR OPERATED DOUBLE DIAPHRAGM PUMPS

A **DOVER** RESOURCES COMPANY



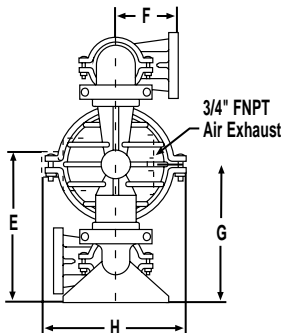
**TURBOFLO**  
PROGRESSIVE PUMP TECHNOLOGY



**DIMENSIONS - T4 PLASTIC**

ITEM	STANDARD (inch)	METRIC (mm)
A	15 1/2	393.7
B	3 1/8	79.4
C	18 1/4	463.6
D	20 3/4	527.1
E	11 5/8	295.3
F	4 3/4	120.7
G	10 19/32	269.1
H	11 3/16	284.2
J	11 5/16	287.4
K	9 11/32	237.3
L	7 1/8	181.0
M	8 1/16	204.8
N	15/32	11.9
STANDARD INT'L.		
P	1 15/16 RAD.	55.2 RAD.
R	2 1/2 RAD.	75.2 RAD.
S	9/16 DIA.	18.0 DIA.

DIN type flanges available for liquid inlet and discharge.



# T4 Plastic Pump

FLOW RATE TO 86 GPM (325.5 LPM)  
MAXIMUM OPERATING PRESSURE = 125 PSI (8.6 BAR)

## Specifications

### WETTED HOUSINGS (Water Chambers and Manifolds)

MATERIAL	SHIP WT.
Polypropylene	38 lbs. (17.5 kg.)
PVDF	49 lbs. (22.5 kg.)
Teflon® PFA	52 lbs. (23.9 kg.)

### NON-WETTED HOUSINGS

DESCRIPTION	MATERIAL
Center Section	Polypropylene

Air Valve Brass, Teflon®-coated Brass, Nickel-plated Brass, or Stainless Steel

### MAXIMUM SUCTION LIFT CAPABILITY

DRY LIFT  
16' (4.9 m)  
The above figure represents the rubber-fitted pump capability.

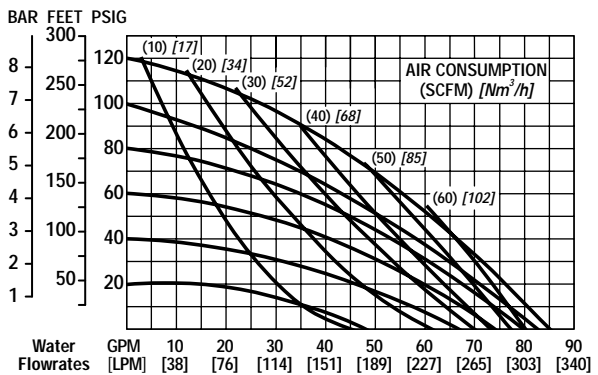
### MAXIMUM DIAMETER SOLIDS

3/16" (4.76 mm) Diameter

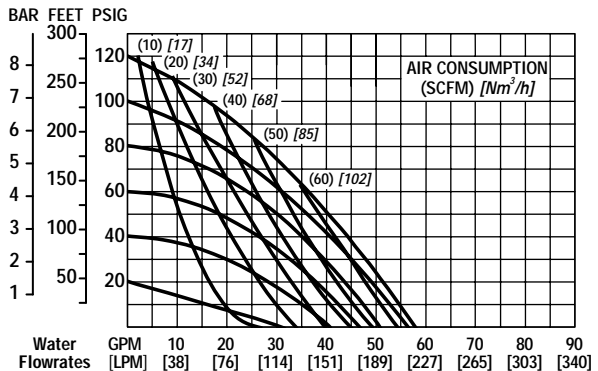
### ELASTOMER OPTIONS

MATERIAL	TEMPERATURE LIMITS
Polyurethane	+10 (-12.2) to +150 (65.6) F° (C°)
Neoprene	0 (-17.8) to +200 (93.3) F° (C°)
Buna-N®	+10 (-12.2) to +180 (82.2) F° (C°)
Nordel®	-60 (-51.1) to +280 (137.8) F° (C°)
Viton®	-40 (-40.0) to +350 (176.7) F° (C°)
Saniflex™	-20 (-28.9) to +220 (104.4) F° (C°)
Teflon® PTFE	+40 (4.4) to +220 (104.4) F° (C°)
Wil-Flex™	-40 (-40.0) to +225 (107.2) F° (C°)

### RUBBER-FITTED T4 PLASTIC PUMP



### TEFLON®-FITTED T4 PLASTIC PUMP



**motralec**

Refer to the EOM manual for TPE and Ultra-Flex™ performance curves.

4 rue Lavoisier . ZA Lavoisier . 95223 HERBLAY CEDEX

Tel. : 01.39.97.65.10 / Fax. : 01.39.97.68.48

Demande de prix / e-mail : service-commercial@motralec.com

[www.motralec.com](http://www.motralec.com)