

PV4 ORIGINAL™ METAL PUMP

38 mm (1-1/2") Pump
Maximum Flow Rate:
337 LPM (89 GPM)



PUMP DATA

Specifications:

Height: 429 mm (16.9")
 Width: 368 mm (14.5")
 Depth: 320 mm (12.6")
 Air Inlet: 19 mm (3/4" FNPT)
 Liquid Inlet: 38 mm (1-1/2")
 Liquid Outlet: 32 mm (1-1/4")

Wetted Material:

Alloy C: 31 kg (68 lbs)
 Aluminum: 21 kg (46 lbs)
 Cast Iron: 30 kg (66 lbs)
 Stainless Steel: 28 kg (62 lbs)

Temperature Limits:

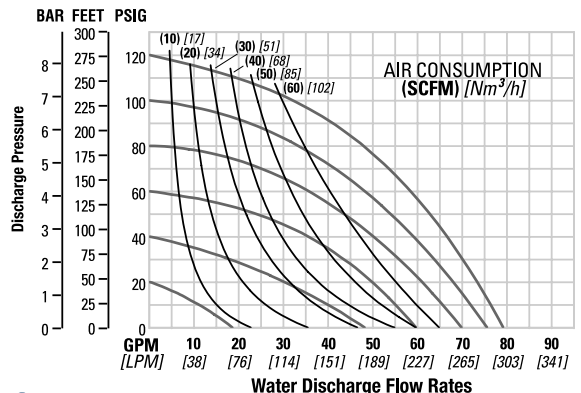
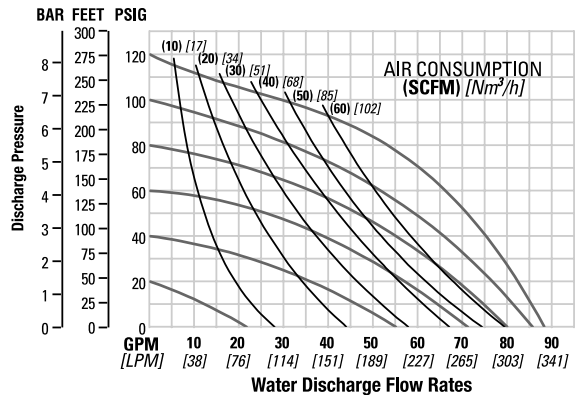
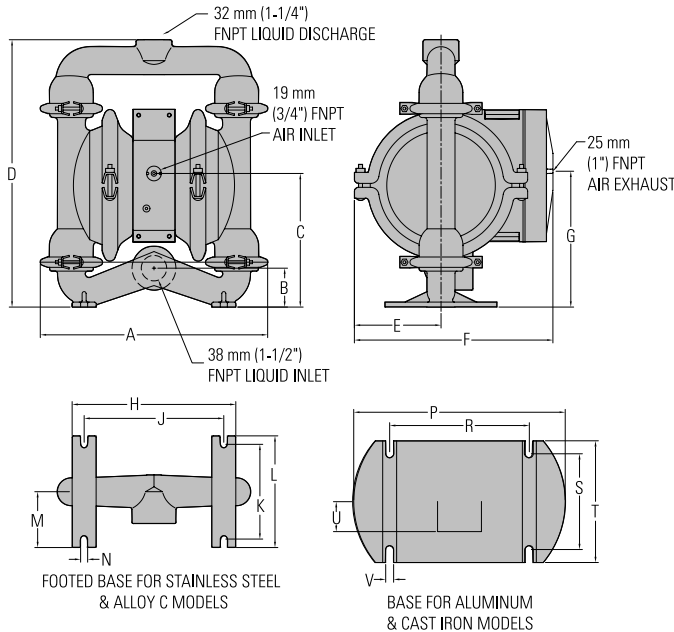
Nylon -17.8°C to 93.3°C 0°F to 200°F
 Neoprene -17.8°C to 93.3°C 0°F to 200°F
 Buna-N -12.2°C to 82.2°C 10°F to 180°F
 Nordel® -51.1°C to 137.8°C -60°F to 280°F
 Viton® -40°C to 176.7°C -40°F to 350°F
 Wil-Flex™ -40°C to 107.2°C -40°F to 225°F
 Polyurethane 12.2°C to 65.6°C 10°F to 150°F
 Saniflex™ -28.9°C to 104.4°C -20°F to 220°F
 PTFE -28.9°C to 148.9°C -20°F to 300°F

PERFORMANCE

Max. Flow: Rubber/TPE 337 lpm (89 gpm)
 PTFE 299 lpm (79 gpm)

Max. Pressure: 8.6 bar (125 psig)

Max. Solids Passage: 4.8 mm (3/16")
 Max. Suction Lift (wet): Rubber/TPE 9.5 m (31.2")
 PTFE 9.5 m (31.2")
 (dry): Rubber/TPE 7.3 m (23.8")
 PTFE 4.7 m (15.3")



ITEM	METRIC (mm)	STANDARD (inch)	ITEM	METRIC (mm)	STANDARD (inch)
A	368	14.5	L	178	7.0
B	64	2.5	M	51	2.0
C	213	8.4	N	10	0.4
D	429	16.9	P	335	13.2
E	147	5.8	R	224	8.8
F	315	12.4	S	155	6.1
G	216	8.5	T	193	7.6
H	262	10.3	U	48	1.9
J	208	8.2	V	13	0.5
K	152	6.0			

motralec