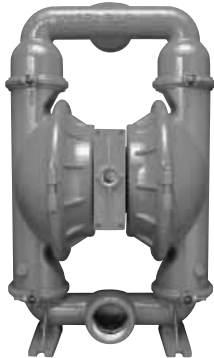


PV15 ORIGINAL™ METAL PUMP



PUMP DATA

Specifications:

Height: 823 mm (32.4")
 Width: 505 mm (19.9")
 Depth: 427 mm (16.8")
 Air Inlet: 19 mm (3/4" FNPT)
 Liquid Inlet: 76 mm (3")
 Liquid Outlet: 76 mm (3")

Wetted Material:

Alloy C: 107 kg (235 lbs)
 Aluminum: 55 kg (121 lbs)
 Cast Iron: 93 kg (205 lbs)
 Stainless Steel: 85 kg (187 lbs)

Temperature Limits:

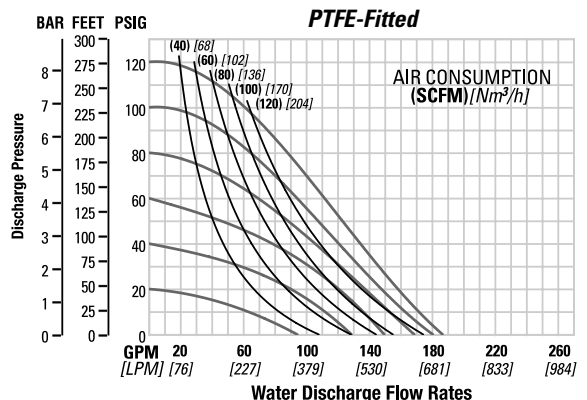
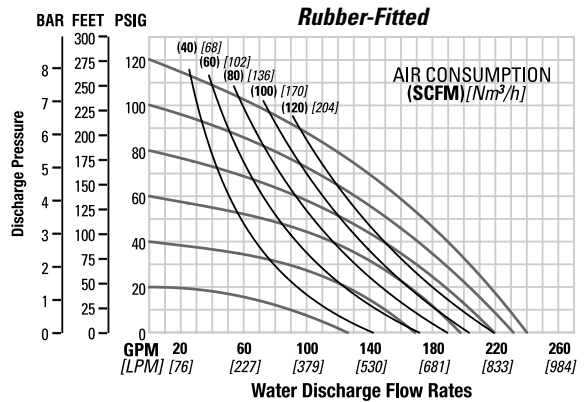
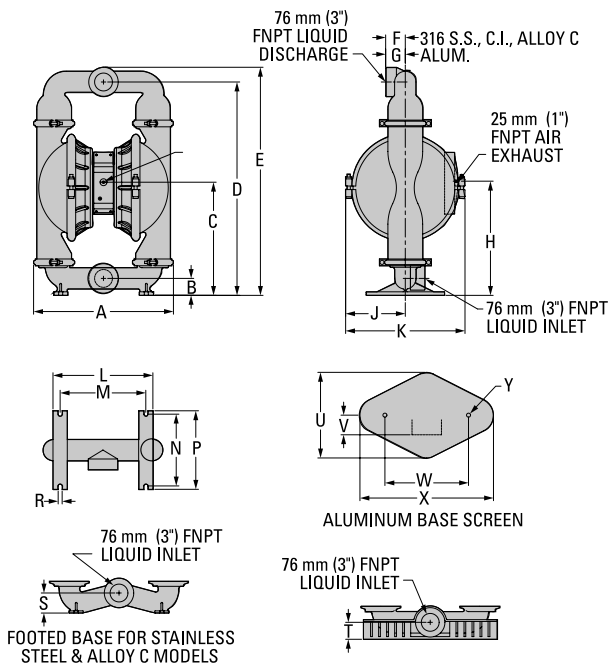
Nylon -17.8°C to 93.3°C 0°F to 200°F
 Neoprene -17.8°C to 93.3°C 0°F to 200°F
 Buna-N -12.2°C to 82.2°C 10°F to 180°F
 Nordel® -51.1°C to 137.8°C -60°F to 280°F
 Viton® -40°C to 176.7°C -40°F to 350°F
 Wil-Flex™ -40°C to 107.2°C -40°F to 225°F
 Polyurethane 12.2°C to 65.6°C 10°F to 150°F
 Saniflex™ -28.9°C to 104.4°C -20°F to 220°F
 PTFE -28.9°C to 148.9°C -20°F to 300°F

PERFORMANCE

Max. Flow: Rubber/TPE 909 lpm (240 gpm)
 PTFE 704 lpm (186 gpm)

Max. Pressure: 8.6 bar (125 psig)

Max. Solids Passage: 9.5 mm (3/8")
 Max. Suction Lift (wet): Rubber/TPE 9.5 m (31.2")
 PTFE 9.5 m (31.2")
 (dry): Rubber/TPE 7.6 m (25.0")
 PTFE 5.0 m (16.5")



ITEM	METRIC (mm)	STANDARD (inch)	ITEM	METRIC (mm)	STANDARD (inch)
A	505	19.9	M	307	12.1
B	58	2.3	N	257	10.1
C	386	15.2	P	282	11.1
D	762	30.0	R	15	0.6
E	823	32.4	S	71	2.8
F	71	2.8	T	66	2.6
G	84	3.3	U	305	12.0
H	389	15.3	V	43	1.7
J	216	8.5	W	305	12.0
K	406	16.0	X	478	18.8
L	363	14.3	Y	15 DIA.	.6 DIA.