

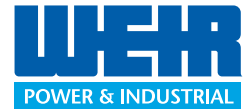
# WEMCO SELF PRIMER

## Solids Handling Self Primer Pumps

### 10" Pump WSP10A

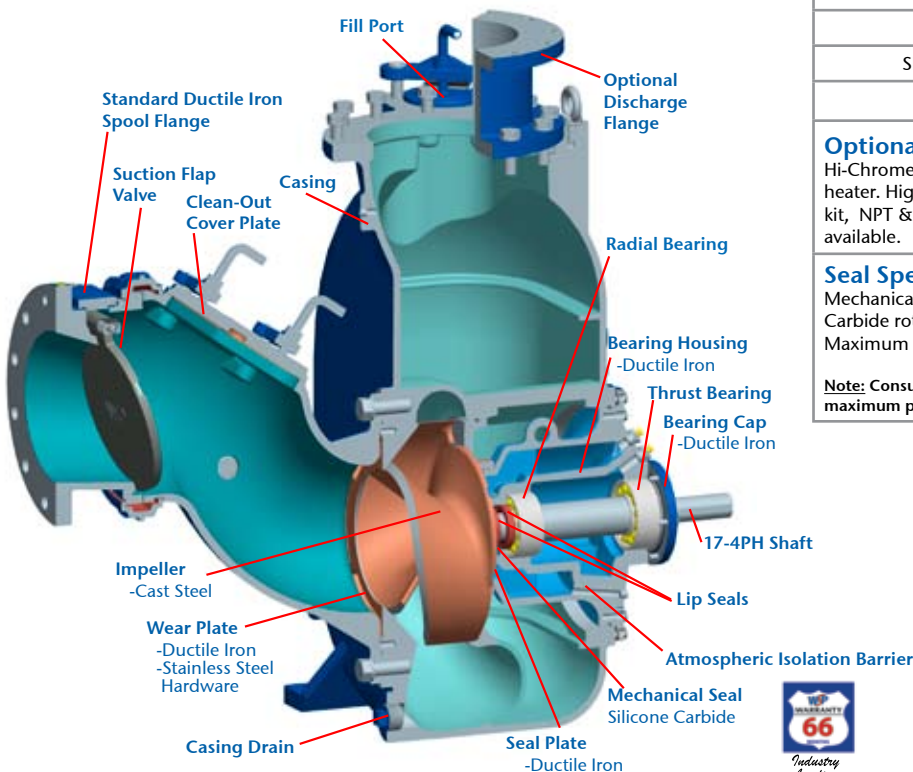
No Tools Required For Clearance Adjustment

Excellent  
Power & Industrial  
Solutions



Patent Pending

### WEMCO® Self-Primer Pump Details



Pump Size	10" x 10" • 250 mm x 250 mm ANSI/DIN
Pump Casing	Ductile Iron
Operating Pressure	Maximum 120 psi (797 kPa)
Impeller	Open type, two vane. Material - Cast steel Pumps 3" (76.2 mm) solids
Impeller Shaft	17-4PH SST
Wear Plate, Replaceable	Front: Hi Chrome (minimum 600 Brinnell) Rear: Hardened Steel (minimum 400 brinnell)
Clean-out	Removable - Ductile Iron
Flap Valve	Neoprene with steel reinforcing ring
Bearing Housing	Ductile Iron
Seal Plate	Hi Chrome (minimum 600 Brinnell)
Shaft Sleeve	17-4PH SST
Radial Bearing	Open single ball
Thrust Bearing	Open double ball
Bearing/Seal Cavity Lubrication	SAE No. 30 oil
Suction Flange	125# Ductile Iron ANSI or DIN
Gaskets	Buna-N, compressed synthetic fibers, vegetable fiber, PTFE, cork, and rubber
O-Rings	Buna-N
Hardware	Steel Grade 5/316SST
Pressure Release Valve	Brass
Oil Level Sight Gauges	Bearing and Seal Cavity
Net Weight	1600 lbs./726 KG.
Shipping Weight	1660 lbs./753 KG
Export Crate	53 Ft <sup>3</sup> / 1.5 M <sup>3</sup>

#### Optional Equipment and Materials

Hi-Chrome, CD4MCU. Automatic air release valve, 120V/240V casing heater. High pump temperature shutdown kit, moisture probe, gauge kit, NPT & DIN standard suction and discharge flanges. Other elastomers available.

#### Seal Specifications

Mechanical oil-lubricated, double floating, self-aligning seal. Silicon Carbide rotation and stationary faces. Stainless steel metal components. Maximum temperature of liquid pumped 180°F/83°C.

**Note:** Consult factory for applications exceeding maximum pressure and/or temperature indicated.

#### Seal Detail View

motralec

4 rue Lavoisier . ZA Lavoisier . 95223 HERBLAY CEDEX

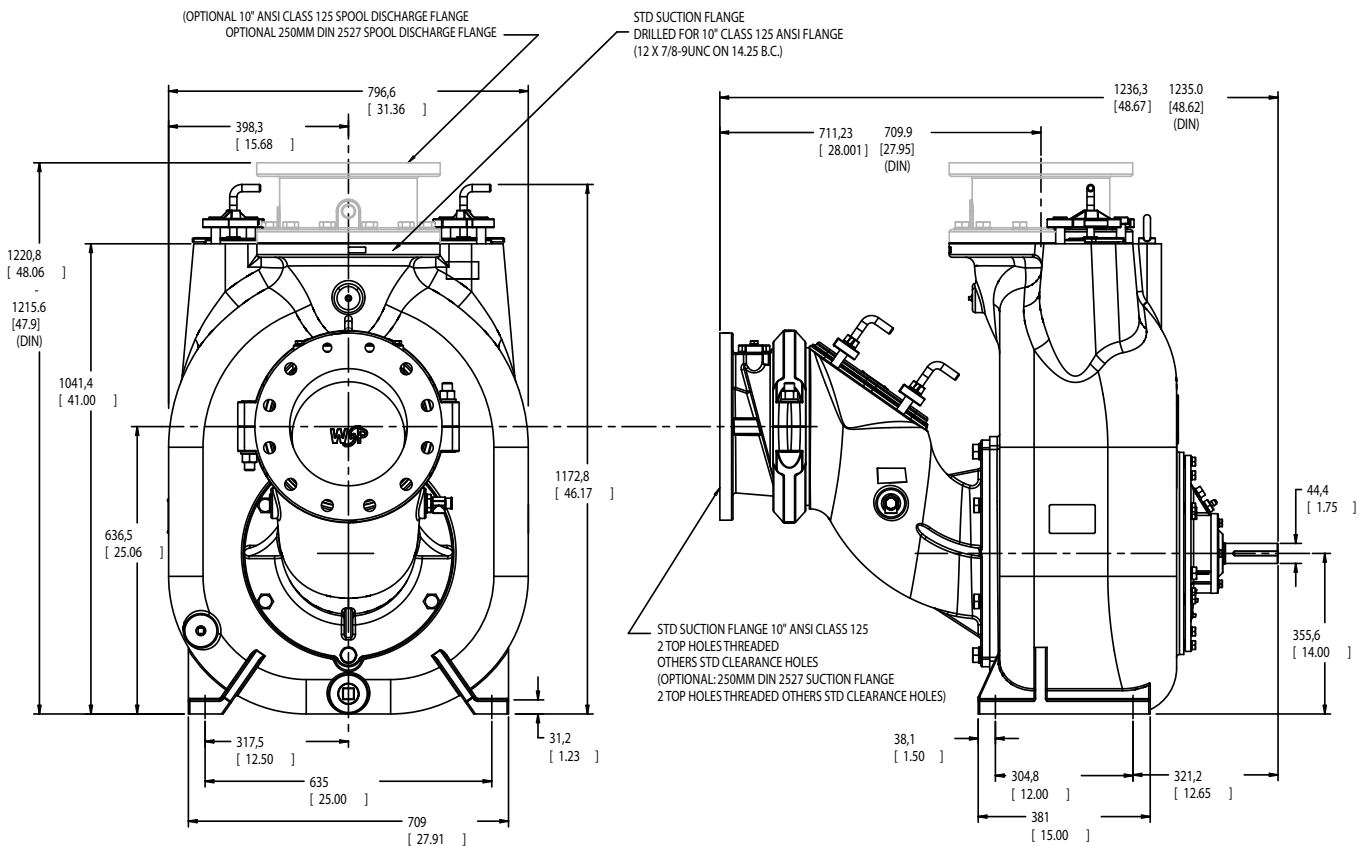
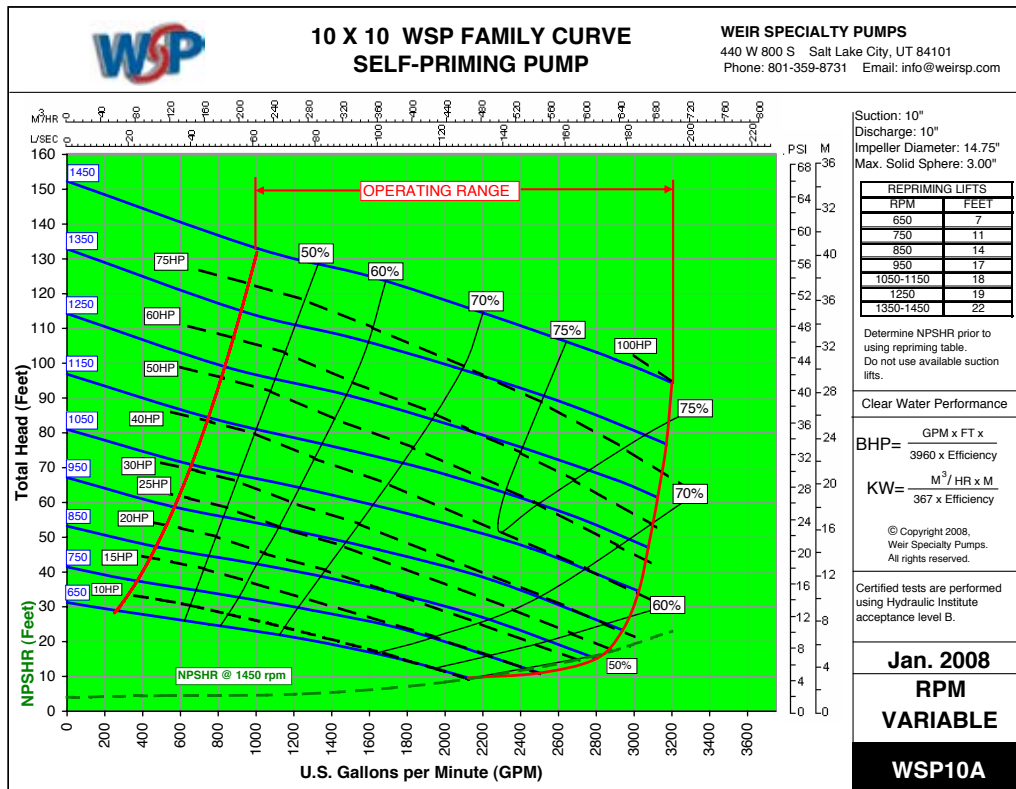
Tel. : 01.39.97.65.10 / Fax. : 01.39.97.68.48

Demande de prix / e-mail : [service-commercial@motralec.com](mailto:service-commercial@motralec.com)

[www.motralec.com](http://www.motralec.com)



# WSP10A • Size: 10" x 10" 250 x 250 mm



**motralec**

4 rue Lavoisier . ZA Lavoisier . 95223 HERBLAY CEDEX  
 Tel. : 01.39.97.65.10 / Fax. : 01.39.97.68.48  
 Demande de prix / e-mail : service-commercial@motralec.com  
[www.motralec.com](http://www.motralec.com)

