

ROTO-JET PUMP

High Pressure Pitot Tube Pumps

Excellent
Power & Industrial
Solutions



Model RO D-850®

High Pressure Single-Stage, Centrifugal Pump With Advanced Pitot Tube Technology

Advanced Design

- High pressure without high speed
- Flexible - performance can be adjusted by changing the pitot tube
- Simple - only two basic working parts

Dependable performance

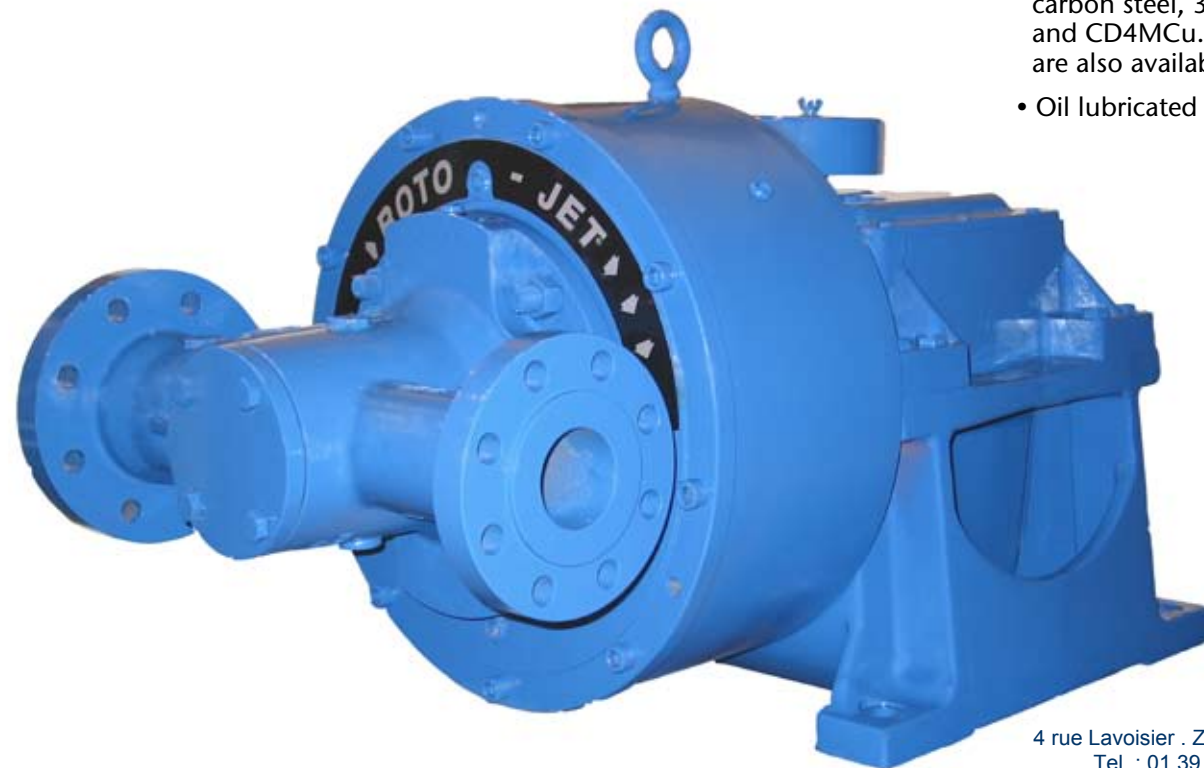
- Hydraulically stable along the entire performance curve and beyond BEP
- Low minimum flow requirement
- Rugged design - most reliable high pressure pump in the marketplace

Enhanced Reliability

- Smooth, pulsation-free flow
- Low pressure mechanical seal is easily maintained
- Isolated bearing pedestal to minimize risk of bearing contamination

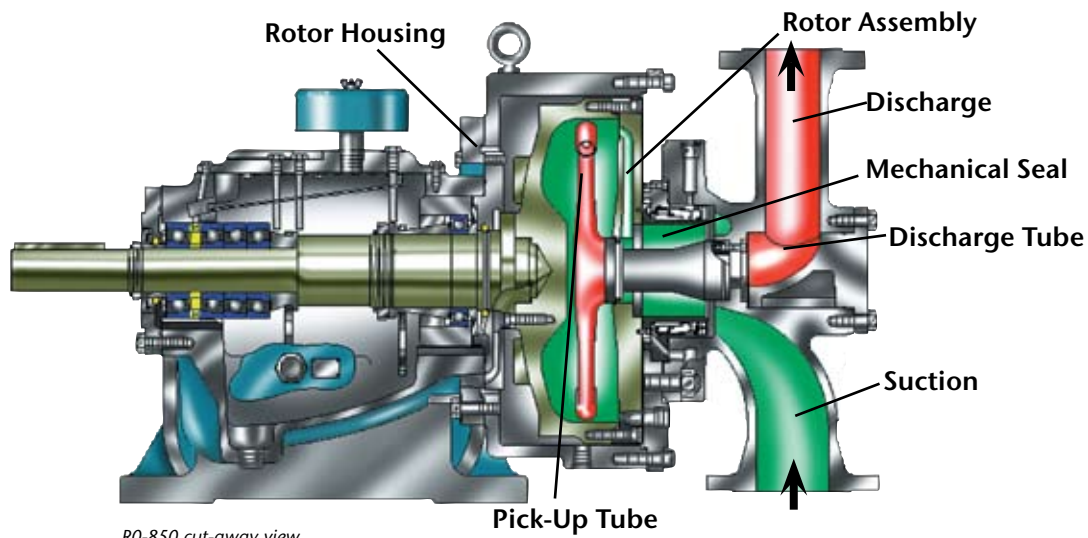
RO D850® Pump Features

- API design available
- Single or double mechanical seal
- Flanged connections
- Materials of construction: ductile iron, carbon steel, 316 stainless steel, CA6NM, and CD4MCu. Super duplex and Hastelloy are also available
- Oil lubricated bearings



motralec

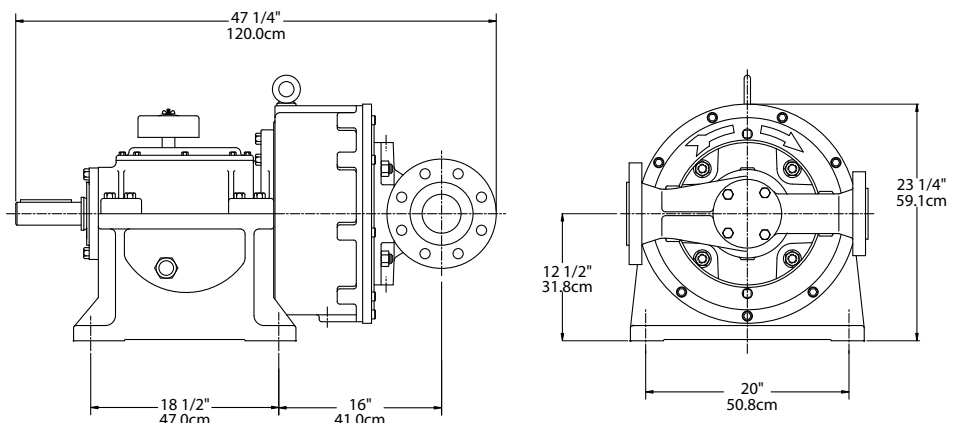
4 rue Lavoisier . ZA Lavoisier . 95223 HERBLAY CEDEX
Tel. : 01.39.97.65.10 / Fax. : 01.39.97.68.48
Demande de prix / e-mail : service-commercial@motralec.com
www.motralec.com



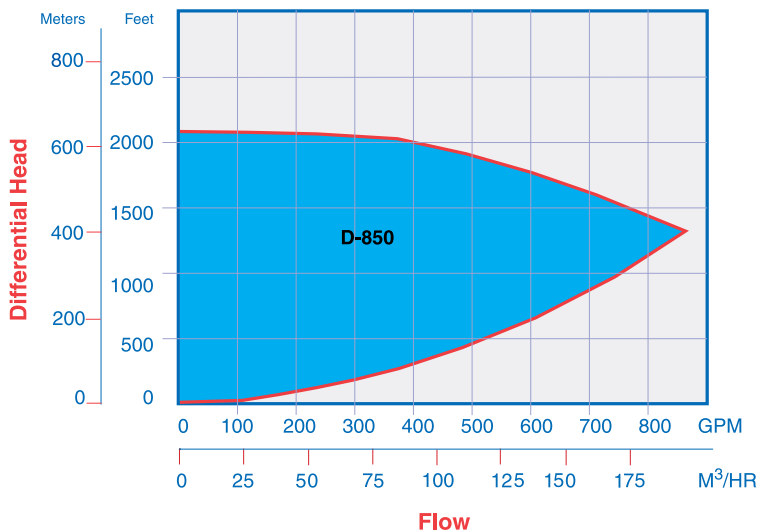
RO-850 cut-away view

Typical Roto-Jet Model RO-D850® Applications

- Food and Beverage cleaning systems
- Reverse osmosis systems
- Automotive gun drilling coolant
- Spraying/washing systems
- High pressure paper shower
- Circuit board wash systems
- Water/process injection systems
- Seal flushing systems
- Boiler feed/cleaning systems
- And many, many more...



Note: Dimensions are for general reference only and will vary with actual model selected.



| Specifications | RO D-850® | |
|----------------------------------|--------------|------------------------|
| Maximum Temperature (with flush) | 250° F | 121° C |
| Maximum Suction Pressure | 550° F | 288° C |
| Maximum Head | 200 PSI | 14 BAR |
| Maximum Speed | 2100 Ft. | 640 m |
| Maximum Flow | 4380 RPM | 4380 RPM |
| Maximum Horsepower | 750 GPM | 170 m ³ /hr |
| Weight | 600 HP | 450 KW |
| | 1300 lbs. | 590 kg |
| Materials of Construction | | |
| | Steel | Stainless Steel |
| Rotor* | Carbon Steel | 316 St. Steel |
| Rotor Cover* | Carbon Steel | 316 St. Steel |
| Manifold | Carbon Steel | 316 St. Steel |
| Endbell | Carbon Steel | Carbon Steel |
| Pick-up Tube** | 17-4 PH | 17-4 PH |
| Shaft | AI SI 4140 | AI SI 4140 |

*Also available in Ductile Iron, CA6NM, CD4MCU and Hastelloy C

**Also available in 718 Inconel

motralec

4 rue Lavoisier . ZA Lavoisier . 95223 HERBLAY CEDEX
 Tel. : 01.39.97.65.10 / Fax. : 01.39.97.68.48
 Demande de prix / e-mail : service-commercial@motralec.com
www.motralec.com

Excellent
 Power & Industrial
 Solutions

