

WAUKESHA WFI CENTRIFUGAL PUMP

motralec

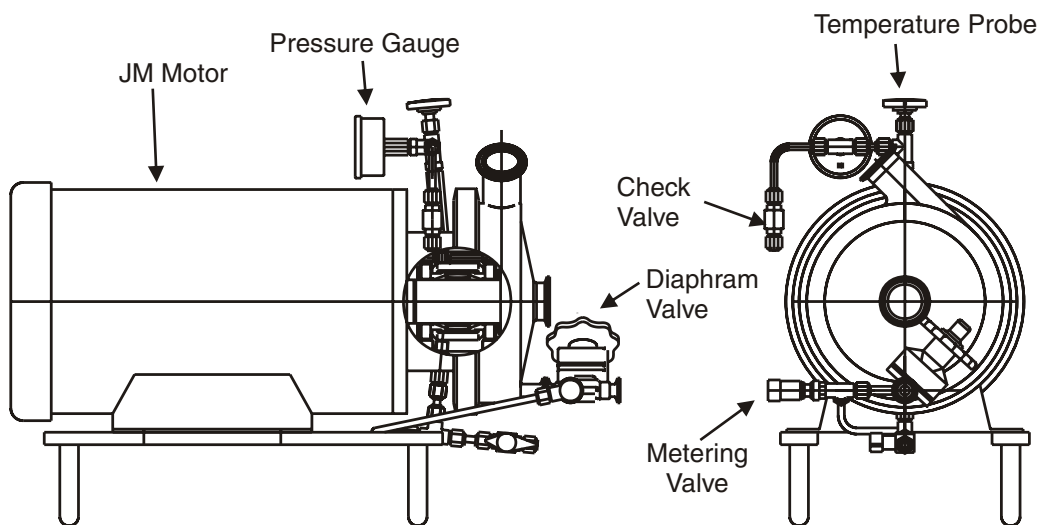
4 rue Lavoisier . ZA Lavoisier . 95223 HERBLAY CEDEX
Tel. : 01.39.97.65.10 / Fax. : 01.39.97.68.48
Demande de prix / e-mail : service-commercial@motralec.com

www.motralec.com

WATER FOR INJECTION

Adapted from the rugged, precision 200 Series design for pumping water for injection; modifications to seal area prevent leakage of contaminants into pumpage. Although designed for high purity, pyrogen-free fluid used in pharmaceutical products, this pump is ideal for pumping high purity, deionized water, such as that used to rinse and cleanse electronic integrated circuits.

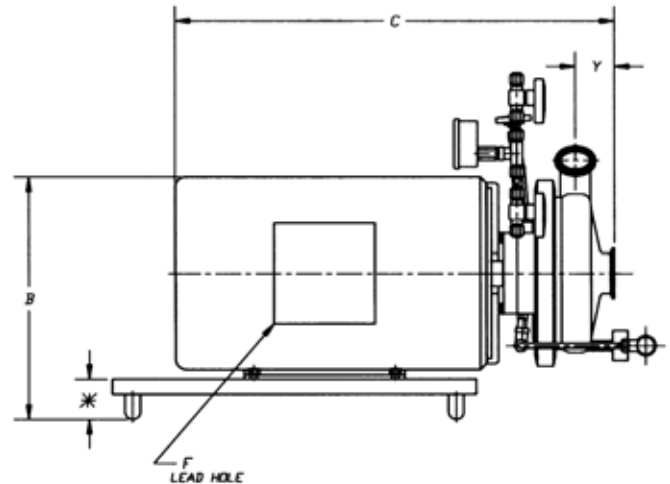
- **All wetted parts 316L stainless steel** with 20 Ra (240 grit) finish; 25 Ra (180 grit) and electro-polish optional
- **Single and double seal options:** John Crane Type 9, Chesterton 241, silicon carbide, tungsten carbide, Viton, EPDM
- **Optional factory-installed flush system** (shown) with pressure, temperature, flow-rate controls



WAUKESHA WFI MECHANICAL SPECIFICATIONS

FLUID HEAD

MODEL	INLET in (mm)	OUTLET in (mm)	X in (mm)	Y in (mm)	Z in (mm)
2045	1.5 (40)	1.5 (40)	4.41 (112)	2.32 (59)	2.25 (57)
2045	2.0 (50)	1.5 (40)	4.41 (112)	2.47 (63)	2.25 (57)
2065LV	1.5 (40)	1.5 (40)	5.28 (134)	2.47 (63)	3.19 (81)
2065LV	2.0 (50)	1.5 (40)	5.28 (134)	2.59 (66)	3.19 (81)
2065LV	2.5 (65)	1.5 (40)	5.28 (134)	2.66 (68)	3.19 (81)
2065	2.5 (65)	2.0 (50)	5.10 (129)	2.66 (68)	3.94 (100)
2065HV	3.0 (75)	2.0 (50)	5.10 (129)	2.78 (71)	3.94 (100)
2085LV	2.0 (50)	1.5 (40)	7.35 (187)	2.28 (60)	4.50 (114)
2085	3.0 (75)	2.5 (65)	6.47 (164)	3.38 (86)	5.06 (129)
2085	4.0 (100)	2.5 (65)	6.35 (161)	2.75 (70)	5.06 (129)
2105	4.0 (100)	4.0 (100)	7.66 (195)	3.58 (91)	6.75 (171)



UNIT WIDTH & HEIGHT

FRAME	A in (mm)	B in (mm)	D in (mm)	F in (mm)	G in (mm)
145JM	8.56 (218)	7.87 (200)	4.5 (114)	.50 (13)	5.25 (133)
182JM	9.81 (249)	9.44 (240)	5.50 (140)	.75 (19)	5.87 (149)
184JM	9.81 (249)	9.44 (240)	5.50 (140)	.75 (19)	5.87 (149)
213JM	12.18(309)	11.06(281)	6.25 (159)	.75 (19)	7.38 (187)
215JM	12.18(309)	11.06(281)	6.25 (159)	.75 (19)	7.38 (187)
254JM	14.68(373)	13.00(330)	7.25 (184)	1.00(25.4)	8.94 (227)
256JM	14.68(373)	13.00(330)	7.25 (184)	1.00(25.4)	8.94 (227)
284JM	18.87(2250)	14.63(372)	8.00(203)	1.50 (38)	12.25(311)
286JM	18.87(2250)	14.63(372)	8.00(203)	1.50 (38)	12.25(311)
324JM	20.75(527)	16.56(421)	9 (229)	1.50 (38)	13.18(335)
326JM	20.75(527)	16.56(421)	9 (229)	1.50 (38)	13.18(335)

