



High Pressure Centrifugal Pumps

Models P2085HP and P2085LV

Features

- Manufactured for recirculating service in reverse osmosis and other membrane systems operating up to 1000 psi.
- Sanitary construction for food and dairy processing service.
- Strong cast iron bearing frames, that provide support for the pump independent of the motor.
- Coupling alignment is assured by motor flange adapter which ensures longer pump life by reducing coupling wear, bearing loads and improved shaft seal conditions.
- Large bearings with non-wearing labyrinth seals for longer life; low maintenance.
- Equipped with a balanced double shaft seal with buffer fluid ports on the top and bottom to permit complete removal of air/vapor from the seal chamber.
- Impeller is keyed and bolted to the large diameter stainless steel shaft. A balance drum is incorporated in the impeller to reduce axial shaft loads on thrust bearing.
- Mounted on heavy plate steel bases with adjustable sanitary legs.

Specifications

Model P2085HP

Inlet Size:	2-1/2"
Outlet Size:	2"
*Max. Head:	340 Ft. TDH
*Max. Flow	400 US GPM

* Based on 3500 RPM

Model P2085HPLV

Inlet Size:	2"
Outlet Size:	1-1/2"
*Max. Head:	330 Ft. TDH
*Max Flow:	140 US GPM

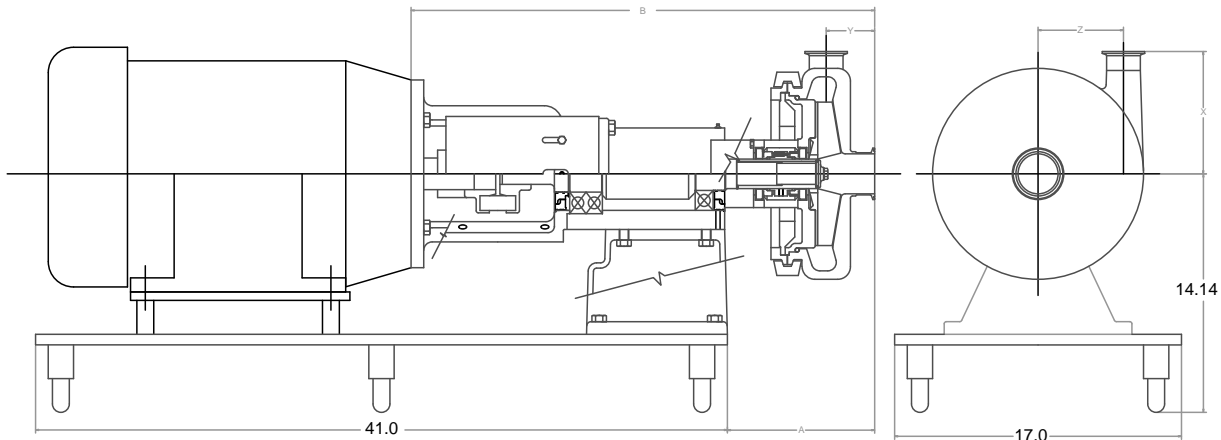
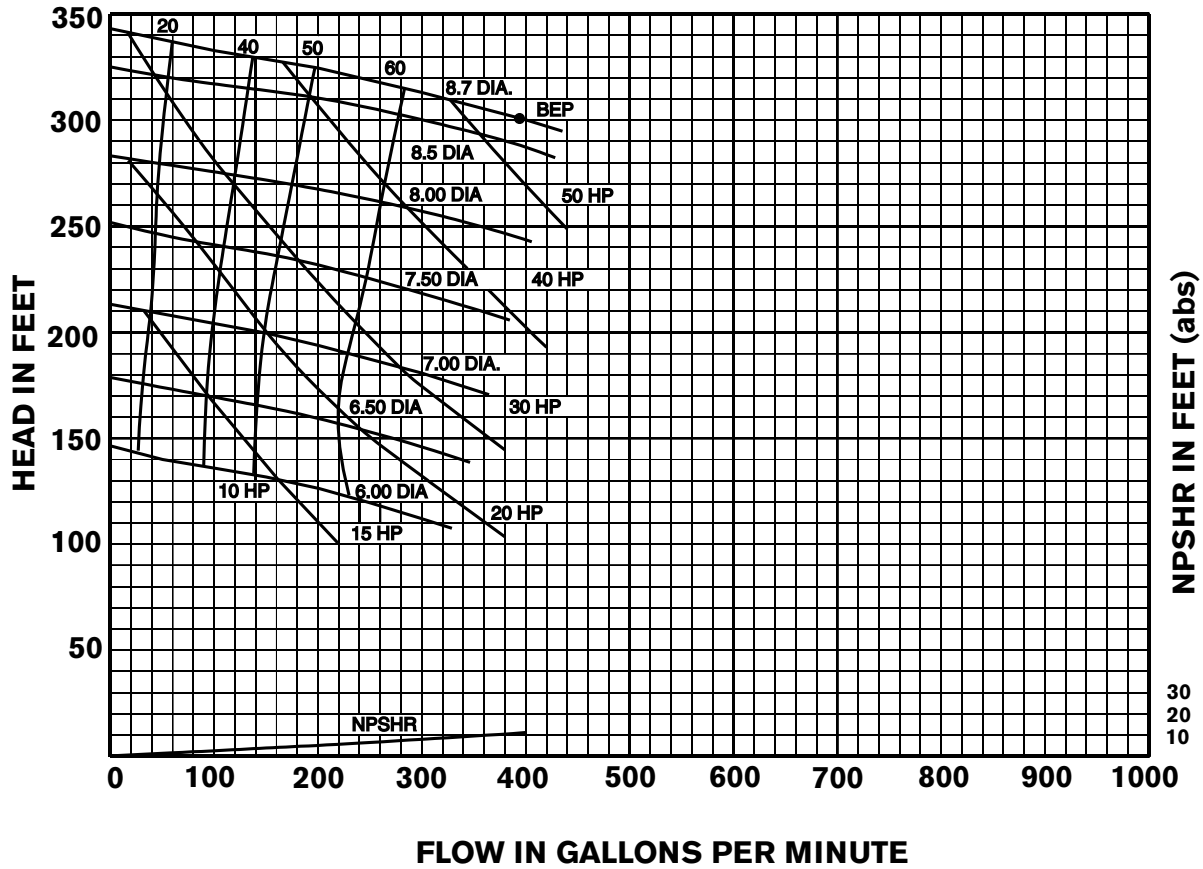
* Based on 3500 RPM

Max. Discharge pressure: 1000 psi
Seal: Double Mechanical (Balanced)
Impeller Type: Semi-Open (Balanced)
Inlet and Discharge Fittings: As specified
Max. RPM: 3500
Bearings: Ball
Lubrication: Grease
Coupling: Wood's Type S
Driver: NEMA C Frame Motors (standard)

Casing: 17-4PH Stainless Steel (polished)
Impeller: 316 Stainless Steel (polished)
Shaft: 316 Stainless Steel
Gaskets/O-Rings: FKM (Fluorocarbon)
Seal Face Product: Silicon Carbide/Silicon Carbide (std.)
Seal Face Flush: Carbon/PUREBIDE (std.)
Bearing Housing: Cast Iron (epoxy paint)
Base: Steel (epoxy paint)

Model B2085HP Capacity Curves 2-1/2 X 2 3500 RPM

CAPACITY CURVES MODEL 2085HP 2 1/2" x 2" 3500 RPM



motralec

4 rue Lavoisier . ZA Lavoisier . 95223 HERBLAY CEDEX
 Tel. : 01.39.97.65.10 / Fax. : 01.39.97.68.48
 Demande de prix / e-mail : service-commercial@motralec.com
www.motralec.com



PROCESS EQUIPMENT