

SPECIFICATIONS

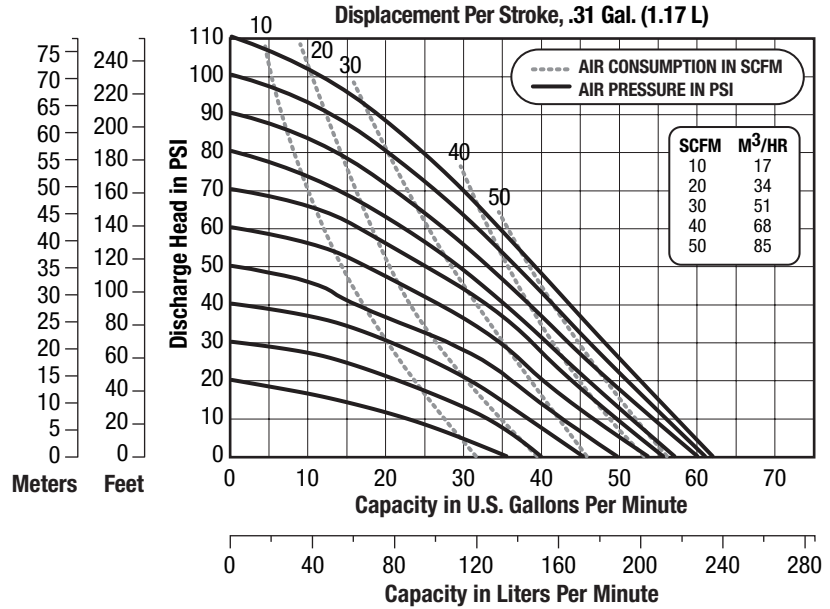
E4

- FLOW RATE** (Adjustable)... 0-70 gpm (0-265 lpm)
PORT SIZE
 Inlet..... 1.50" NPT (BSP)
 Outlet..... 1.25" NPT (BSP)
AIR INLET..... 0.50" NPT
AIR EXHAUST..... 0.75" NPT
SUCTION LIFT.... 15' Dry/25' Wet (4.57m/7.62m)
 Teflon®..... 10' Dry/20' Wet (3.05m/6.09m)
MAX. PARTICLE SIZE (Dia.)0.1875" (4.76mm)
SHIPPING WEIGHTS
 Aluminum..... 41 lbs (18.60 kg)
 Cast Iron..... 57 lbs (25.85 kg)
 Hastelloy C..... 57 lbs (25.85 kg)
 Stainless..... 57 lbs (25.85 kg)



PERFORMANCE Determined by actual flow meter tests.

E4

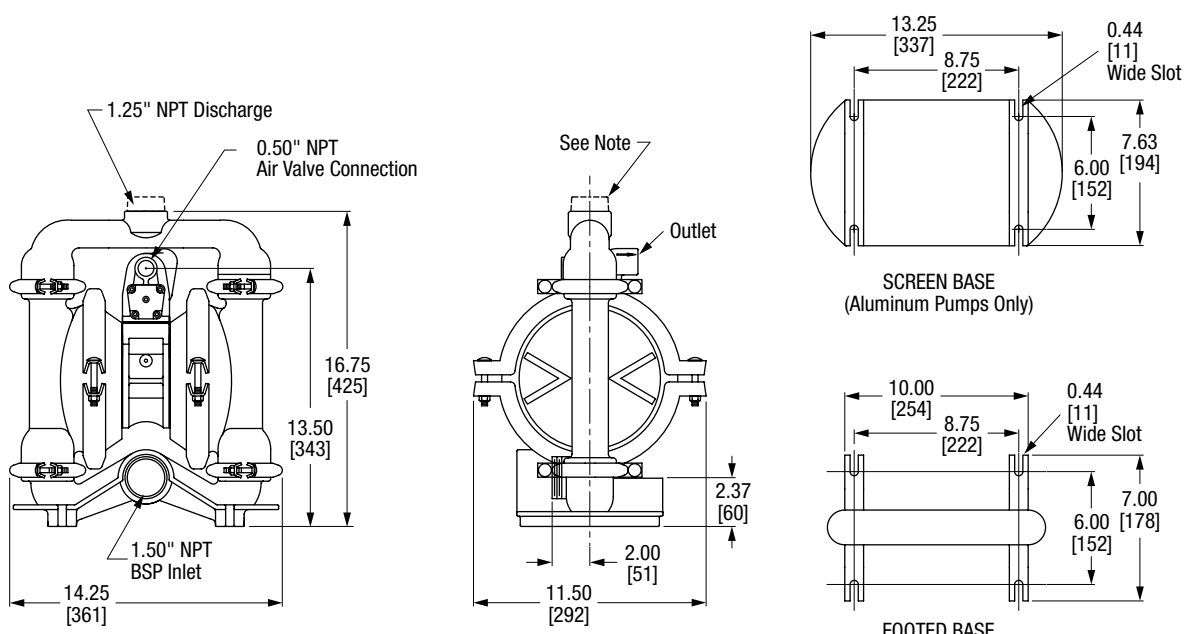


NOTE: For E4 pumps fitted with Teflon® diaphragms, reduce water discharge figures by 20%. Suction lift is reduced to 10' (3.05m) dry and 20' (6.10m) wet.

CAUTION: Do not exceed 125 psig (8.5 bars) air supply or liquid pressure.

DIMENSIONS Consult factory for certified drawings.

E4



NOTE: Cast-in-place nipple on Aluminum Pump only. Female Threaded on others.

inches [mm]