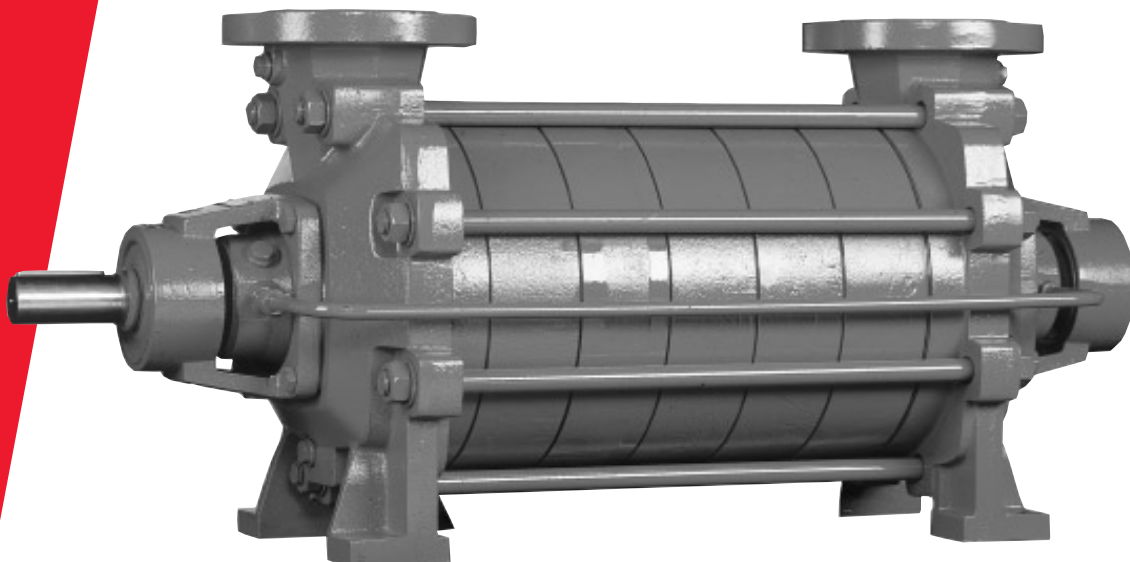


# MCHZ, MCHZS

## Horizontal high pressure self-priming pump



### System characteristics

The MCHZ family, a range of horizontal high pressure self-priming pumps, has a high interchangeability in parts to other Johnson pumps, like the MCV or MCH. There are six different sizes, each built up with one or more stages.

The MCHZ family is self-priming by means of a built-in vacuum pump allowing handling of fluids with dissolved air (gas) or exclusively air during the suction/starting period. The integrated vacuum pump operates on the liquid ring principle.

### Applications

The MCHZ pump family is suitable for handling clean or slightly contaminated liquids for instance well water, hot water, various coolants, condensed water, brine lye, sea water, petrol, kerosene, and petroleum.

For e.g. booster installations, hot water circulating systems, airconditioning systems, cooling for stationery and marine installations, industry, waterworks, agriculture and horticulture, spraying installations and ship-building.

### Pump specifics

- The built-in vacuum pump will drive out any dissolved air (gas) during normal operation
- All types of the MCHZ family are fitted with closed impellers
- Suitable for a wide span of duties
- High interchangeability in spare parts between different sizes, thus limiting spare parts stock levels

### Technical data

Type MCHZ:	Stuffing box packing Temperature -15°C – +105°C
Type MCHZS:	Mechanical seal Temperature -20°C – +120°C
Maximum capacity:	100 m <sup>3</sup> /h
Maximum delivery head:	340 m
Maximum operating pressure:	40 - 3 x inlet pressure bar (4000 - 3 x inlet pressure kPa) <i>depending on pump size/ materials</i>
Maximum allowable inlet pressure:	10 bar (1000 kPa)

### Materials

<b>Casing parts</b>	Cast iron	
<b>Impeller</b>	Cast iron	Bronze
<b>Pump shaft</b>	Steel alloy	

**motralec**

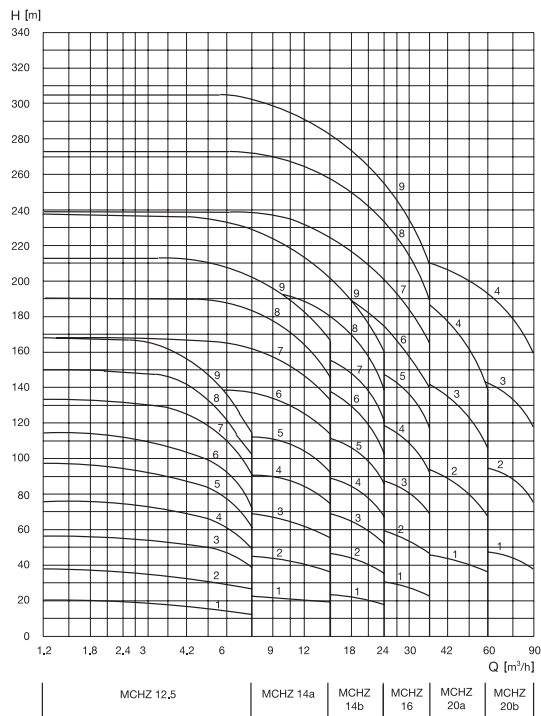
4 rue Lavoisier . ZA Lavoisier . 95223 HERBLAY CEDEX  
Tel. : 01.39.97.65.10 / Fax. : 01.39.97.68.48  
Demande de prix / e-mail : [service-commercial@motralec.com](mailto:service-commercial@motralec.com)

[www.motralec.com](http://www.motralec.com)

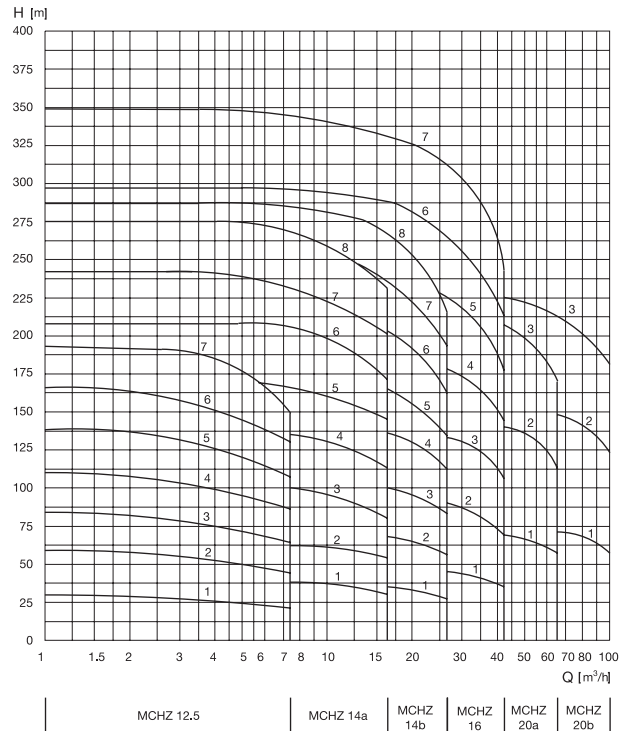
**JOHNSON PUMP**

# Performance data

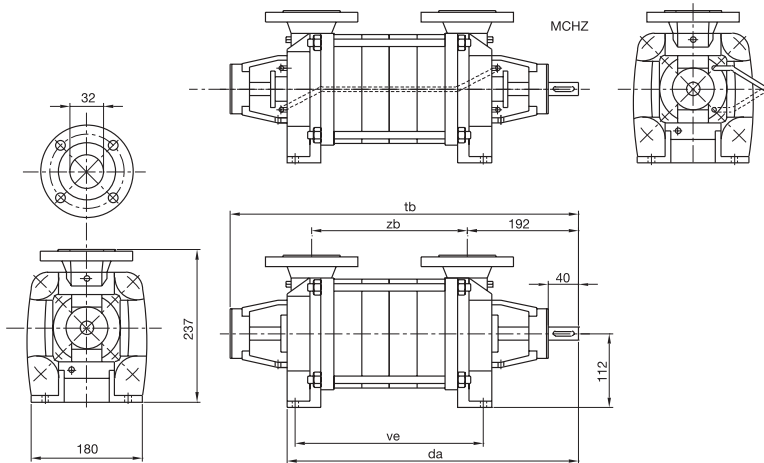
$N_{nom} = 3000 \text{ rpm}$



$N_{nom} = 3600 \text{ rpm}$



## Dimensions



MCHZ - MCHZS	da	tb	ve	zb	
12,5 x 1	405	507	227	169	
12,5 x 2	450	552	272	214	
12,5 x 3	495	597	317	259	
12,5 x 4	540	642	362	304	
12,5 x 5	585	687	407	349	
12,5 x 6	630	732	452	394	
12,5 x 7	675	777	497	439	
12,5 x 8	720	822	542	484	
12,5 x 9	765	867	587	529	
	da	da*	tb	tb*	
14 a,b x 1	425		527	237	179
14 a,b x 2	475		577	287	229
14 a,b x 3	525		627	337	279
14 a,b x 4	575	621	677	387	329
14 a,b x 5	626	671	727	437	379
14 a,b x 6	675	721	777	487	429
14 a,b x 7		771		537	479
14 a,b x 8		821		587	529
14 a,b x 9		871		637	579
16 x 1 - 6,5	495		624	267	217
16 x 2 - 6,5	555		684	327	277
16 x 3 - 6,5	615		744	387	337
16 x 4 - 6,5	675		804	447	397
16 x 5 - 6,5	735		864	507	457
16 x 6 - 6,5	795		924	567	517
16 x 7 - 6,5	955		984	627	577
16 x 8 - 6,5	915		1044	687	637
16 x 9 - 6,5	975		1104	747	697
20 a,b x 1	600		727	332	282
20 a,b x 2	675		802	407	357
20 a,b x 3	750		877	482	432
20 a,b x 4	825		952	557	507

\* = Pump with improved bearings



motralec

4 rue Lavoisier . ZA Lavoisier . 95223 HERBLAY CEDEX  
 Tel. : 01.39.97.65.10 / Fax. : 01.39.97.68.48  
 Demande de prix / e-mail : service-commercial@motralec.com  
[www.motralec.com](http://www.motralec.com)