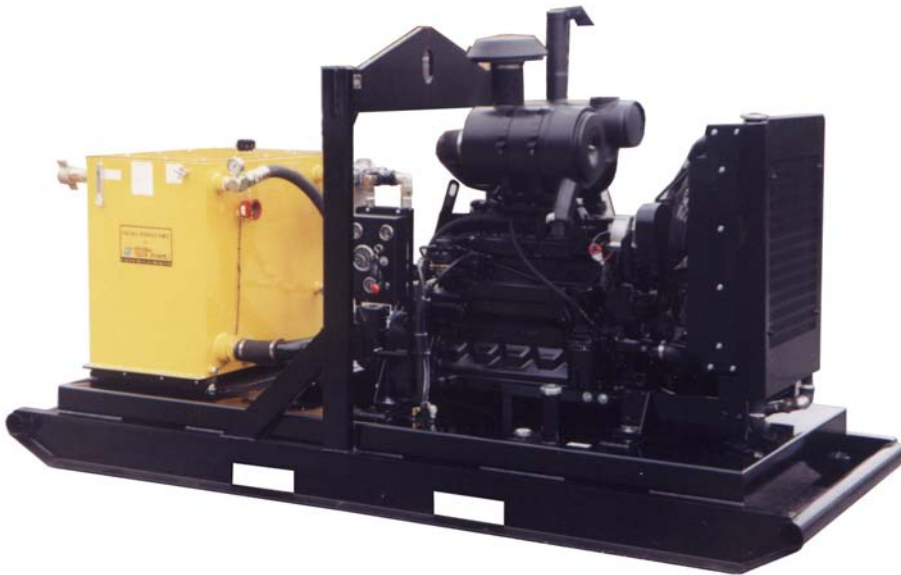




HYDRA-TECH PUMPS

PORTABLE HYDRAULIC POWER UNIT

MODEL HT150DJV



This 150 horsepower hydraulic power unit features a John Deere diesel engine, pressure compensated piston hydraulic pump, engine mounted hydraulic oil cooler and built-in fuel tank. It is designed to power our larger submersible pumps and other hydraulic equipment requiring flows up to 70 GPM.

FEATURES

- Skid Frame Chassis with Built-In Fuel Tank, Forklift Pockets and Single-Point Lifting Bracket
- Dependable John Deere Diesel
- Automatic Engine Safety Shutdown
- Variable Piston Hydraulic Pump
- Efficient Hydraulic Oil Cooler
- Spin-On Return Filter w/Indicator
- Variable Speed Control
- Tank Top Filler/ Strainer
- System Relief Valve
- Pressure Control Valve
- Liquid Filled Pressure Gauge
- Fluid Level/ Temperature Gauge

OPTIONS

- Highway Trailer
- Multiple Hydraulic Circuits
- Other Flow and Pressure Combinations

D0209



**HYDRA-TECH
PUMPS**

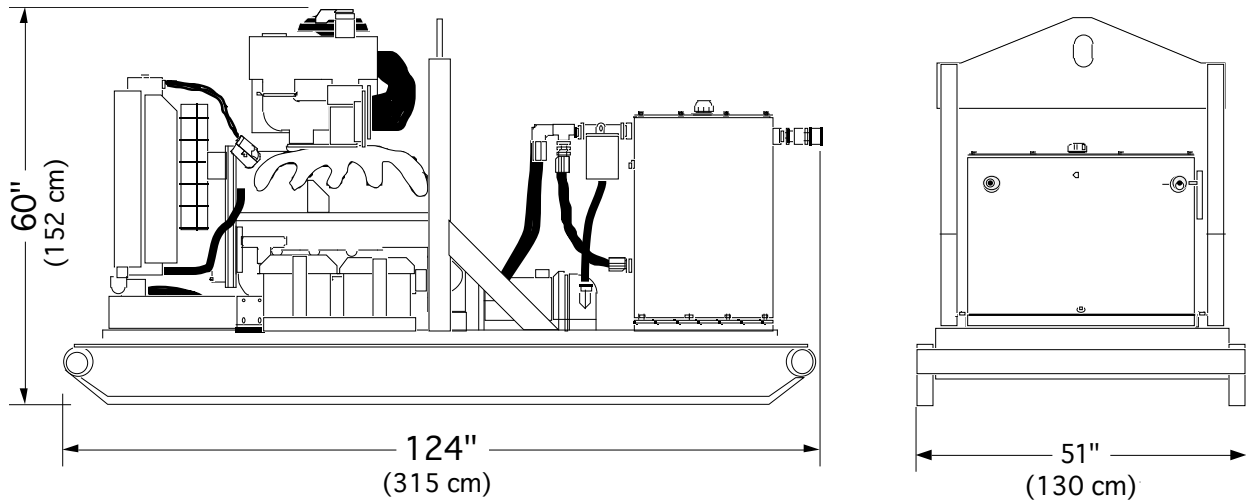
motralec

4 rue Lavoisier . ZA Lavoisier . 95223 HERBLAY CEDEX
Tel. : 01.39.97.65.10 / Fax. : 01.39.97.68.48

Demande de prix / e-mail : service-commercial@motralec.com

www.motralec.com

Model HT150DJV Overall Dimensions



SPECIFICATIONS

ENGINE:..... John Deere 6068H285 Diesel (Tier 3)
HORSEPOWER:..... 150 @ 2300 RPM
HYDRAULIC OUTPUT*:..... Variable, Max. 70 GPM (265 LPM)
OPERATING PRESSURE*:..... Maximum 2500 PSI (170 Bar)
HOSE PORT SIZE:..... 1 1/2" NPT
HYDRAULIC OIL:.....SAE 10W or 20W Type AW
also:..... Biodegradable Oil (Consult Factory)
OIL FILTRATION:.....10 Micron (Standard)
OIL RESERVOIR CAPACITY:..... 100 U.S. Gallons (378 Liters)
FUEL TANK CAPACITY:..... 89 U.S. Gallons (337 Liters)
FUEL CONSUMPTION:..... Approx. 8 U.S. Gal/Hr (30 Liters/Hr)
DIMENSIONS:..... H 60" (152 cm) x W 51" (130 cm) x L 124" (315 cm)
WEIGHT (Dry):..... 4800 lbs. (2182 kg)

* For Flows and Pressures Other Than Standard, Consult Factory

Since we are constantly working to improve our products, specifications are subject to change without notice.