



# HYDRA-TECH PUMPS

## PORTABLE HYDRAULIC POWER UNIT

### MODEL HT75DJD and HT75DJV



This model features a John Deere 4 cylinder water cooled diesel with your choice of fixed displacement gear or pressure compensated piston hydraulic pumps. It is designed to drive our submersible pumps or other hydraulic equipment requiring flows to 40 GPM and pressures to 2500 PSI.

## FEATURES

- Dependable John Deere Diesel Engine
- Skid Frame Chassis with Built -In Fuel Tank and Fork Lift Slots
- Automatic Engine Safety Shutdown Package
- Gear-Type Hydraulic Pump (HT75DJD)
- Pressure Comp. Piston Pump (HT75DJV)
- Spin-On Return Filter W/ Indicator
- Engine Mounted Hydraulic Oil Cooler
- System Relief Valve
- Pressure Control Valve
- Liquid Filled Pressure Gauge
- Fluid Level/ Temperature Gauge

### OPTIONS

- Highway Trailer
- Multiple Hydraulic Circuits
- Other Flow and Pressure Combinations

B0109



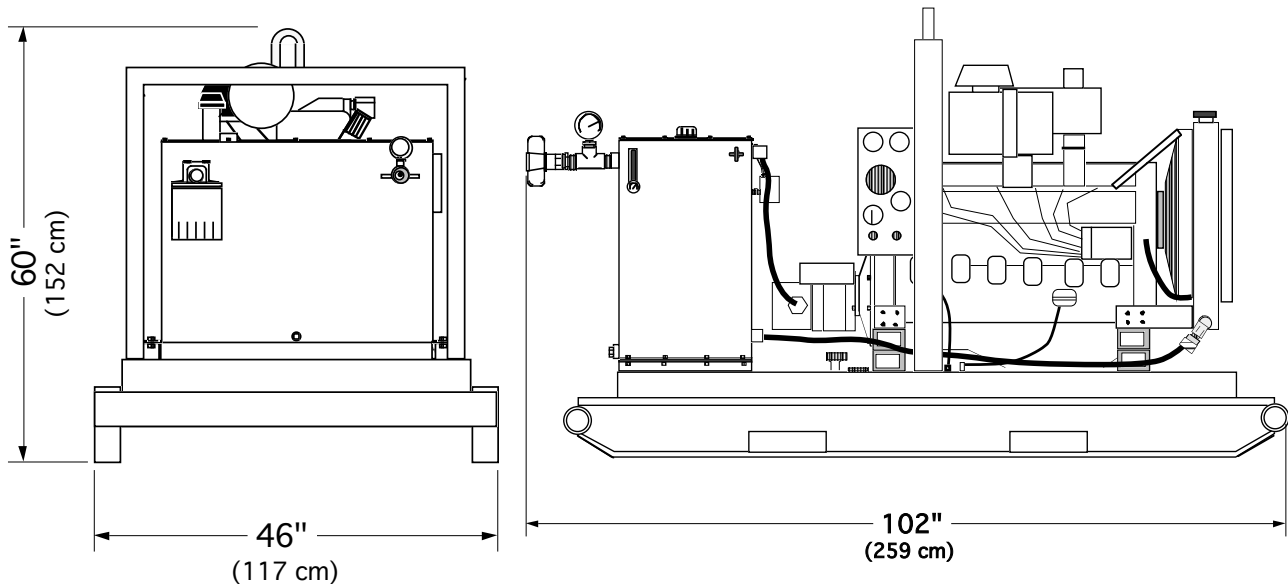
**motralec**

4 rue Lavoisier . ZA Lavoisier . 95223 HERBLAY CEDEX  
Tel. : 01.39.97.65.10 / Fax. : 01.39.97.68.48

Demande de prix / e-mail : [service-commercial@motralec.com](mailto:service-commercial@motralec.com)

[www.motralec.com](http://www.motralec.com)

## Model HT75DJD/V Overall Dimensions



## SPECIFICATIONS

ENGINE:.....John Deere 4045T280 Diesel (Tier 3)  
HORSEPOWER:.....75 @ 2300RPM  
HYDRAULIC OUTPUT\*:.....Variable, Max. 40 GPM (151 LPM)  
OPERATING PRESSURE\*:.....Maximum 2500 PSI (170 Bar)  
HOSE PORT SIZE:.....1" or 1 1/4" NPT  
HYDRAULIC OIL:.....SAE 10W or 20W Type AW  
also:..... Biodegradable Oil (Consult Factory)  
OIL FILTRATION:.....10 Micron (Standard)  
OIL RESERVOIR CAPACITY:.....50 U.S. Gallons (189 Liters)  
FUEL TANK CAPACITY:.....57 U.S. Gallons (170 Liters)  
FUEL CONSUMPTION:.....Approx. 3.8 U.S. Gal/Hr (14 Liters/Hr)  
DIMENSIONS:.....H 60" (152 cm) x W 46" (117 cm) x L 110" (279 cm)  
WEIGHT (Dry):.....2500 lbs. (1133 kg)

\* For Flows and Pressures Other Than Standard, Consult Factory

Since we are constantly working to improve our products, specifications are subject to change without notice.



**motralec**

4 rue Lavoisier . ZA Lavoisier . 95223 HERBLAY CEDEX

Tel. : 01.39.97.65.10 / Fax. : 01.39.97.68.48

Demande de prix / e-mail : [service-commercial@motralec.com](mailto:service-commercial@motralec.com)

[www.motralec.com](http://www.motralec.com)