



HYDRA-TECH PUMPS

PORTABLE HYDRAULIC POWER UNIT

MODEL HT35DD

This power unit is driven by a Deutz air cooled diesel engine and is designed to drive several of our pump models including the S4VHL. A large, built-in fuel tank allows this unit to run up to 24 hours between refills. Other equipment that require flows to 20 GPM may also operate from this power unit.



FEATURES

- Highway Trailer Chassis with Built-In Fuel Tank and Independent Suspension
- Single Point Lifting Bracket
- Automatic Engine Safety Shutdown Package
- Vane-Type Hydraulic Pump
- Spin-On Return Filter W/ Indicator
- Variable Speed Control
- Tank Top Filler/ Strainer
- System Relief Valve
- Pressure Control Valve
- Liquid Filled Pressure Gauge
- Fluid Level/ Temperature Gauge

OPTIONS

- Skid Frame
- Multiple Hydraulic Circuits
- Other Flow and Pressure Combinations

D0109



motralec

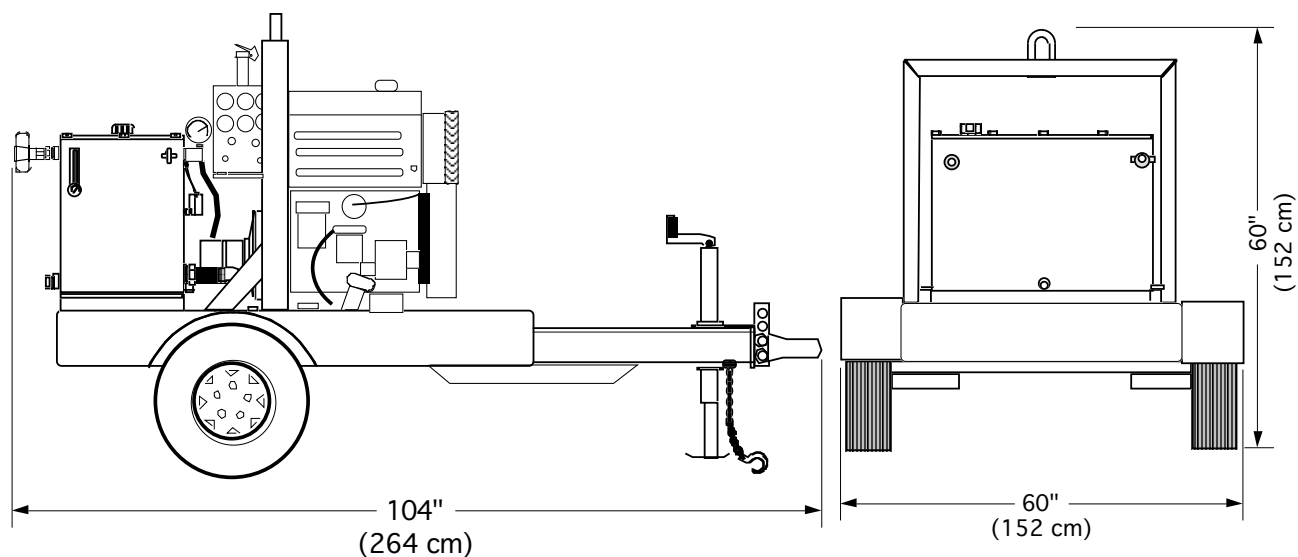
4 rue Lavoisier . ZA Lavoisier . 95223 HERBLAY CEDEX

Tel. : 01.39.97.65.10 / Fax. : 01.39.97.68.48

Demande de prix / e-mail : service-commercial@motralec.com

www.motralec.com

Model HT35DD Overall Dimensions



SPECIFICATIONS

ENGINE:..... Deutz D2011L03 Air Cooled Diesel (Tier 3)
HORSEPOWER:..... 35 @ 2300 RPM
HYDRAULIC OUTPUT*:..... Variable, Max. 20 GPM (76 LPM)
OPERATING PRESSURE*:..... Maximum 2500 PSI (170 Bar)
HOSE PORT SIZE:..... 3/4" or 1" NPT
HYDRAULIC OIL:..... SAE 10W or 20W Type AW
..... also: Biodegradable oil (Consult Factory)
OIL FILTRATION:..... 10 Micron (Standard)
OIL RESERVOIR CAPACITY:..... 30 U.S. Gallons (114 Liters)
FUEL TANK CAPACITY:..... 40 U.S. Gallons (151 Liters)
FUEL CONSUMPTION:..... Approx. 1.7 U.S. Gal/Hr (6.4 Liters/Hr)
DIMENSIONS:..... H 60" (152 cm) x W 60" (152 cm) x L 104" (264 cm)
WEIGHT (Dry):..... 1580 lbs. (716 kg)

* For Flows and Pressures Other Than Standard, Consult Factory

Since we are constantly working to improve our products, specifications are subject to change without notice.



motralec

4 rue Lavoisier . ZA Lavoisier . 95223 HERBLAY CEDEX

Tel. : 01.39.97.65.10 / Fax. : 01.39.97.68.48

Demande de prix / e-mail : service-commercial@motralec.com

www.motralec.com