



HYDRA-TECH PUMPS

PORTABLE HYDRAULIC POWER UNIT

MODEL HT25DD

This power unit is driven by a Deutz air-cooled diesel engine and is designed to drive several of our pump models including the S4T, S4CSL and S8M. A large, built-in fuel tank allows this unit to run up to 24 hours between refills. Other equipment that require flows to 15 GPM may also operate from this power unit.



FEATURES

- Highway Trailer Chassis with Built-In Fuel Tank and Independent Suspension
- Single Point Lifting Bracket
- Automatic Engine Safety Shutdown Package
- Vane-Type Hydraulic Pump
- Spin-On Return Filter W/ Indicator
- Variable Speed Control
- Tank Top Filler/ Strainer
- System Relief Valve
- Pressure Control Valve
- Liquid Filled Pressure Gauge
- Fluid Level/ Temperature Gauge

OPTIONS

- Skid Frame
- Multiple Hydraulic Circuits
- Other Flow and Pressure Combinations

B0109



motralec

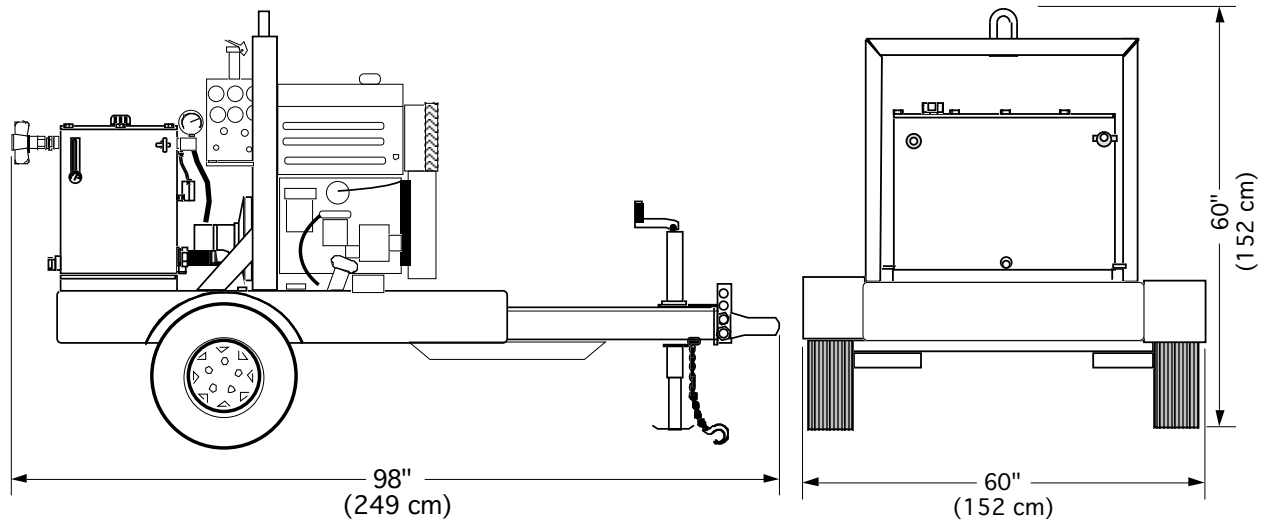
4 rue Lavoisier . ZA Lavoisier . 95223 HERBLAY CEDEX

Tel. : 01.39.97.65.10 / Fax. : 01.39.97.68.48

Demande de prix / e-mail : service-commercial@motralec.com

www.motralec.com

Model HT25DD Overall Dimensions



SPECIFICATIONS

ENGINE:..... Deutz D2011L02 Air Cooled Diesel (Tier 3)
HORSEPOWER:..... 25 @ 2300 RPM
HYDRAULIC OUTPUT*:..... Variable, Max. 15 GPM (57 LPM)
OPERATING PRESSURE*:..... Maximum 2500 PSI (170 Bar)
HOSE PORT SIZE:..... 3/4" NPT
HYDRAULIC OIL:..... SAE 10W or 20W Type AW
..... also: Biodegradable oil (Consult Factory)
OIL FILTRATION:..... 10 Micron (Standard)
OIL RESERVOIR CAPACITY:..... 30 U.S. Gallons (114 Liters)
FUEL TANK CAPACITY:..... 37 U.S. Gallons (140 Liters)
FUEL CONSUMPTION:..... Approx. 1.2 U.S. Gal/Hr (4.5 Liters/Hr)
DIMENSIONS:..... H 60" (152 cm) x W 60" (152 cm) x L 98" (249 cm)
WEIGHT (Dry):..... 1380 lbs. (625 kg)

* For Flows and Pressures Other Than Standard, Consult Factory

Since we are constantly working to improve our products, specifications are subject to change without notice.