



HYDRA-TECH PUMPS

PORTABLE HYDRAULIC POWER UNIT

MODEL HT15GAT

This Honda powered gas unit features an electronic auto-throttle that allows you to set a desired hydraulic output and when the unit is under load the engine will speed up to this setting. This unit is perfect for operating hydraulic tools and pumps that demand full power only as-needed. This saves fuel and extends the life of the equipment.



FEATURES

- Advanced Honda IGX Series Engine with Oil-Alert™ Safety Shutdown
- Auto -Throttling Variable Speed Control
- Roll Cage Frame with Single Point Lifting Eye
- Gear-Type Hydraulic Pump
- Spin-On Return Filter W/ Indicator
- Variable Speed Control
- Hydraulic Oil Cooler
- Tank Top Filler/ Strainer
- System Relief Valve
- Pressure Control Valve
- Liquid Filled Pressure Gauge
- Fluid Level/ Temperature Gauge
- HTMA Quick - Disconnect Couplings

OPTIONS

- Wheel Kit
- 20 Amp Alternator
- 115 Volt A.C. Power Inverter
- Other Flow and Pressure Combinations

B0309



**HYDRA-TECH
PUMPS**

motralec

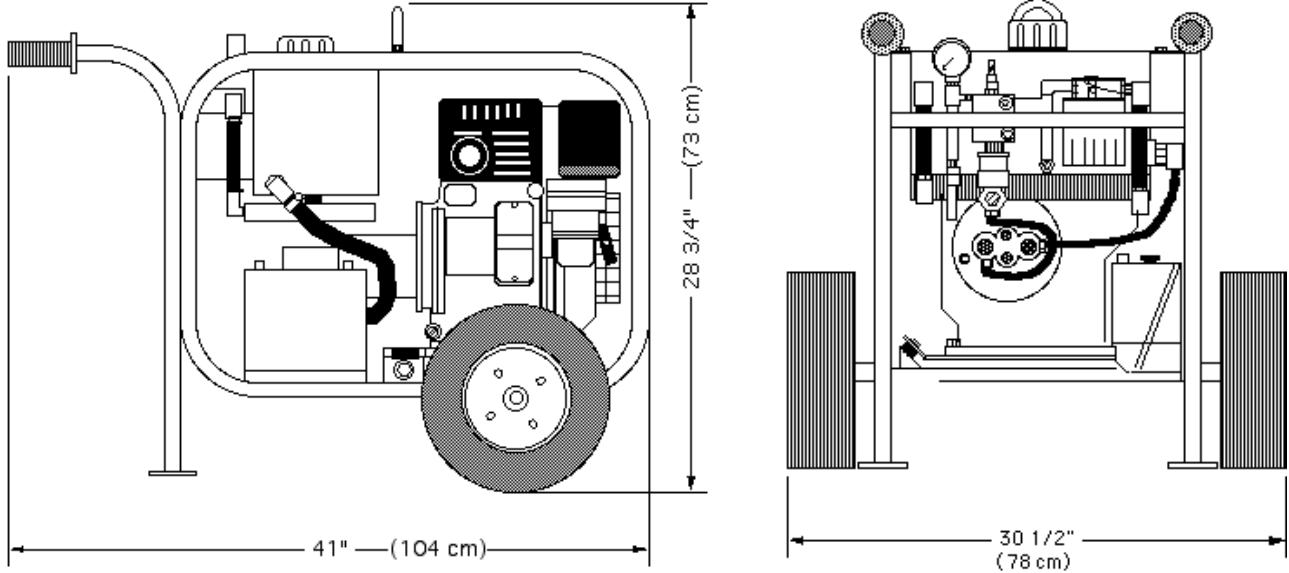
4 rue Lavoisier . ZA Lavoisier . 95223 HERBLAY CEDEX

Tel. : 01.39.97.65.10 / Fax. : 01.39.97.68.48

Demande de prix / e-mail : service-commercial@motralec.com

www.motralec.com

Model HT15GAT Overall Dimensions



SPECIFICATIONS

ENGINE:..... Honda IGX440 Gasoline
HORSE POWER:..... 15 @ 3600 RPM
HYDRAULIC OUTPUT:..... Variable Max 9 GPM (34 LPM)
OPERATING PRESSURE:..... Maximum 2200 PSI (150 Bar)
HOSE PORT SIZE:..... 1/2" NPT
HYDRAULIC OIL:..... SAE 10W or 20W Type AW
 also: Dexron ATF or Biodegradable oil (Consult Factory)
OIL FILTRATION:..... 10 Micron (Standard)
OIL RESERVOIR CAPACITY:..... 4 U.S. Gallons (15.1 Liters)
FUEL TANK CAPACITY:..... 1.6 U.S. Gallons (6 Liters)
FUEL CONSUMPTION:..... Approx. 1 U.S. Gal/Hr (3.6 Liters/Hr)
DIMENSIONS:..... H 25" (63.5 cm) x W 20" (51 cm) x L 30" (76 cm)
 W/ Wheel Kit H: 28 3/4" (73 cm) x W 30 1/2" (78 cm) x L 41" (104 cm)
WEIGHT (Dry):..... 230 lbs. (104 kg)

* For Flows and Pressures Other Than Standard, Consult Factory

Since we are constantly working to improve our products, specifications are subject to change without notice.