



HYDRA-TECH PUMPS

PORTABLE HYDRAULIC POWER UNIT

MODEL HT6D

This portable diesel power pack is ideal for driving our 2" pumps and slim-line borehole pump. It also can provide hydraulic power to run many other hydraulic tools. Two models are available with flows of 3 GPM @ 2500 PSI or 4.5 GPM @ 1800 PSI.



Unit shown with optional wheel kit

FEATURES

- Yanmar air-cooled Diesel Engine
- Roll Cage Frame with Single Point Lifting Eye
- Gear-Type Hydraulic Pump
- Spin-On Return Filter W/ Indicator
- Variable Speed Control
- Hydraulic Oil Cooler
- Tank Top Filler/ Strainer
- HTMA Quick - Disconnect Couplings
- System Relief Valve
- Pressure Control Valve
- Liquid Filled Pressure Gauge
- Fluid Level/ Temperature Gauge

OPTIONS

- Wheel Kit
- Electric Start
- Other Flow and Pressure Combinations

C0109



motralec

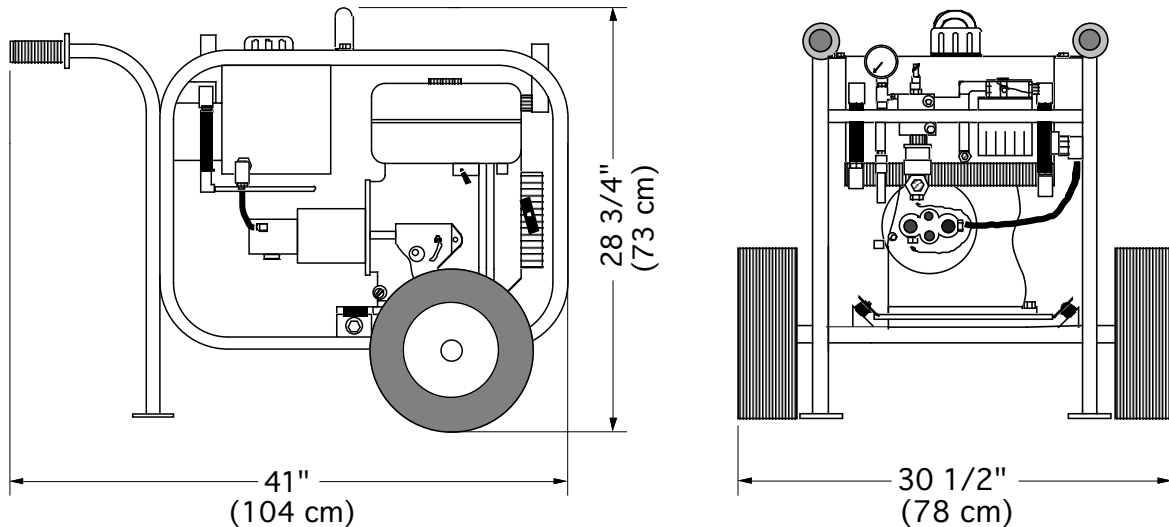
4 rue Lavoisier . ZA Lavoisier . 95223 HERBLAY CEDEX

Tel. : 01.39.97.65.10 / Fax. : 01.39.97.68.48

Demande de prix / e-mail : service-commercial@motralec.com

www.motralec.com

Model HT6D Overall Dimensions



SPECIFICATIONS

ENGINE:..... Yanmar L70V Diesel
 HORSE POWER:..... 7 @ 3500 RPM
 HYDRAULIC OUTPUT:..... 3 GPM (11 LPM) @ 2500 PSI (170 Bar)
 or:.....4.5 GPM (17 LPM) @ 1800 PSI (122 Bar)
 HOSE PORT SIZE:.....1/2" NPT
 HYDRAULIC OIL:.....SAE 10W or 20W Type AW
 also:..Dexron ATF or Biodegradable Oil
 OIL FILTRATION:.....10 Micron (Standard)
 OIL RESERVOIR CAPACITY:..... 4 U.S. Gallons (15.1 Liters)
 FUEL TANK CAPACITY:..... .92 U.S. Gallons (3.5 Liters)
 FUEL CONSUMPTION:..... Approx. .3 U.S. Gal/Hr (1.1 Liters/Hr)
 DIMENSIONS:..... H 25" (63.5 cm) x W 20" (51 cm) x L 30" (76 cm)
 w/ Wheel Kit: H 28 3/4" (73 cm) x W 30 1/2" (78 cm) x L 41" (104 cm)
 WEIGHT (Dry):.....192 lbs. (87 kg)

* For Flows and Pressures Other Than Standard, Consult Factory

Since we are constantly working to improve our products, specifications are subject to change without notice.