



HYDRA-TECH PUMPS

4" HYDRAULIC SUBMERSIBLE VORTEX FLOW TRASH PUMP

MODEL S4THL (Aluminum Body)

MODEL S4THLDI (Ductile Iron Body)

4" (100 mm) Discharge

The S4THL has proven to be an excellent sludge pump. Primary uses for this pump are: oil refinery wastes, sewage digester clean-out, water waste sludge and de-silting applications using divers. This versatile pump offers solids handling and high head capabilities.



FEATURES

- Fully Recessed Vortex Impeller (will pass 3 1/2" semi-solids)
- Wide Range of Performance
- Variable Speed hydraulic drive
- Oil Lubricated Seals (can run dry)
- Dependable gear type hydraulic motor
- Can be bolted directly into a pipeline or fitted with a suction hose for underwater dredging
- Safe Hydraulic Drive can be used where electric power is hazardous or impractical
- Operates with our HT50 to HT75 power units or other hydraulic power sources capable of flows of 15 - 30 GPM

SPECIFICATIONS

WEIGHT: (Aluminum).....	179 lbs. (75 kg)
(Ductile Iron).....	324 lbs. (147 kg)
HEIGHT:.....	34 1/2" (88 cm)
WIDTH (@ widest point):.....	25 1/2" (65 cm)
DISCHARGE:.....	4", 125# ASA Flange
INLET FLANGE:.....	4", 125# ASA
SOLIDS HANDLING:.....	3 1/2" (9 cm)
HOSE PORTS:.....	1" (-16) SAE
PUMP BODY: (S4THL).....	Heat Treated Aluminum
(S4THLDI).....	Ductile Iron
IMPELLER:.....	Stainless Steel
WEAR RING and WEAR PLATE.....	Stainless Steel
SHAFT:.....	Stainless Steel
SHAFT SEAL:.....	Carbon/Ceramic (Std)
	Silicon Carbide (Optional)
ELASTOMERS:.....	Buna N (Std)
HYDRAULIC OIL:.....	214-320 s.s.u. @ 100°F (64°C)
INPUT FLOW:.....	Max 30 GPM (114 LPM)
OPERATING PRESSURE:.....	Max 3000 PSI (204 Bar)
POWER SOURCE:.....	Any Open Center Hydraulic System

D0109

Specifications are subject to change without notice



motralec

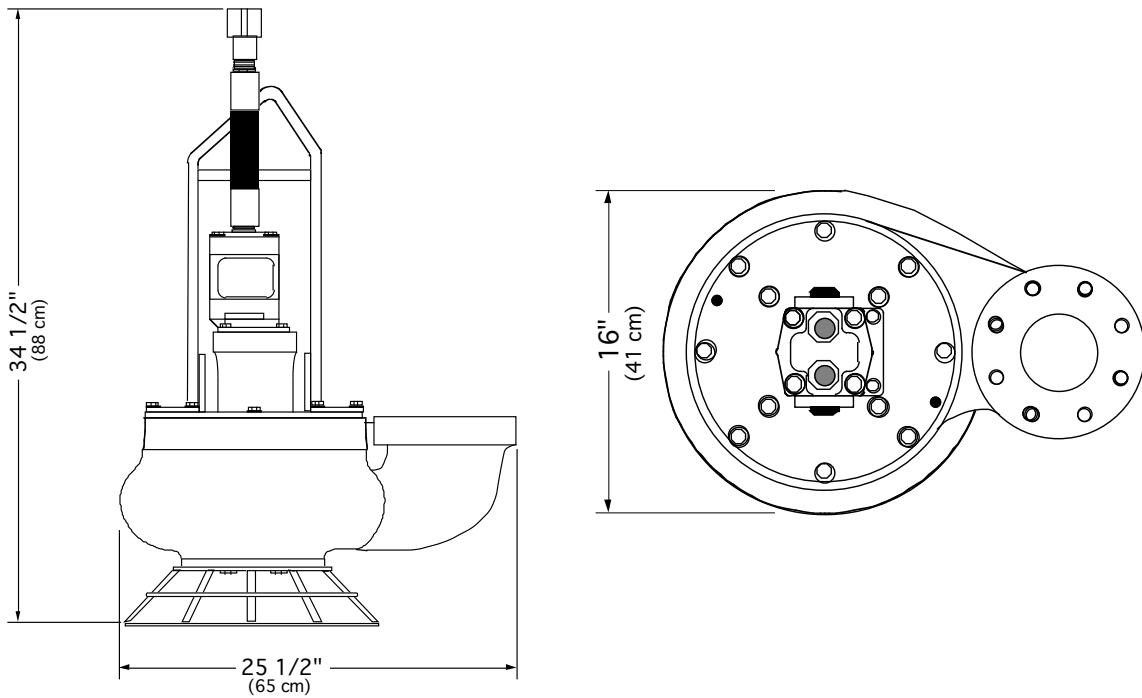
4 rue Lavoisier . ZA Lavoisier . 95223 HERBLAY CEDEX

Tel. : 01.39.97.65.10 / Fax. : 01.39.97.68.48

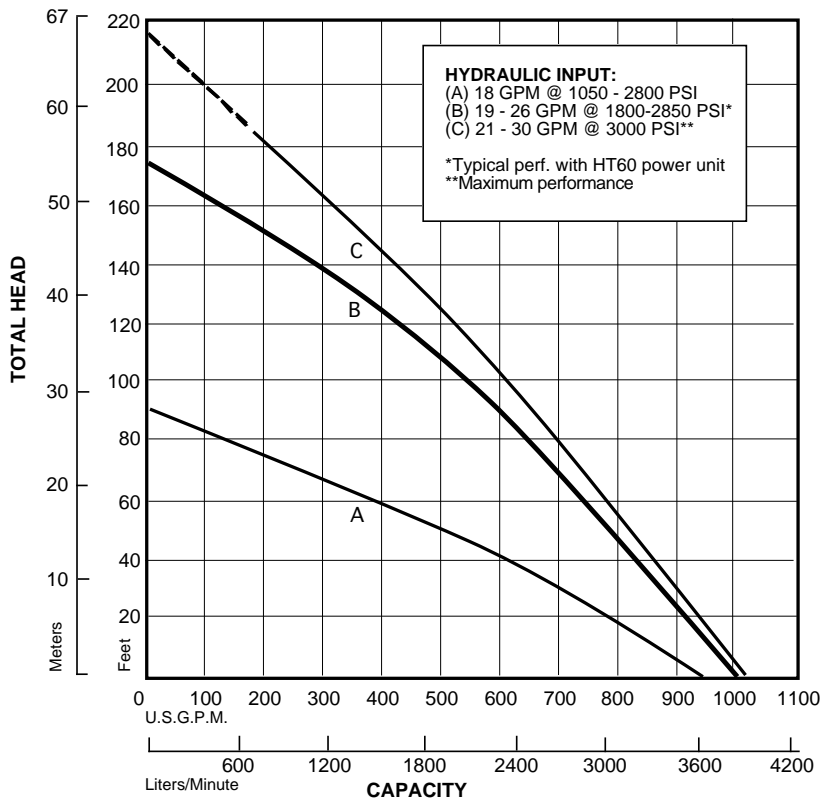
Demande de prix / e-mail : service-commercial@motralec.com

www.motralec.com

Model S4THL Overall Dimensions



S4THL Typical Performance



Curves are based on pumping water at 60°F. For performance curves other than shown above, consult factory.