



# HYDRA-TECH PUMPS

## 3" HYDRAULIC SUBMERSIBLE UTILITY PUMP

**MODEL S3TC (Aluminum Body)**

**MODEL S3TCDI (Ductile Iron Body)**

3" (75 mm) Discharge

Our S3TC is a very portable and versatile utility pump designed for pumping jobs such as construction sites, manhole pumping and oil skimming. An efficient channel impeller offers excellent overall performance. This pump is offered in your choice of aluminum or ductile iron body.



### FEATURES

- Stainless Steel Channel Impeller
- Oil Lubricated Seals (can run dry)
- Variable Speed hydraulic drive
- Small overall size for use tight spaces
- Can be bolted directly into a pipeline
- Safe Hydraulic Drive can be used where electric power is hazardous or impractical
- Dependable gear type hydraulic motor
- Operates with our HT11 to HT15 power units or other hydraulic power sources capable of flows of 5-8 GPM

### SPECIFICATIONS

WEIGHT	S3TC:.....	28 lbs. (13 kg)
	S3TCDI:.....	52 lbs. (24 kg)
HEIGHT:.....		14" (36 cm)
WIDTH (@ widest point):.....		11 3/4" (30 cm)
DISCHARGE:.....		3" NPT(F)
INLET FLANGE:.....		3" 125# ASA
SOLIDS HANDLING:.....		3/4" (2 cm)
HOSE PORTS:.....		1/2" NPT (F)
PUMP BODY	S3TC:.....	Aluminum
	S3TCDI:.....	Ductile Iron
IMPELLER:.....		Stainless Steel
WEAR RING:.....		Ductile Iron
WEAR PLATE:.....		Steel
SHAFT:.....		Plated 4140 Steel
SHAFT SEAL:.....		Carbon/Ceramic (Std)
ELASTOMERS:.....		Buna N (Std)
HYDRAULIC OIL:.....		214-320 s.s.u. @ 100°F (64°C)
INPUT FLOW:.....		Max. 8 GPM (30 LPM)
OPERATING PRESSURE:.....		Max. 2500 PSI (170 Bar)
POWER SOURCE:.....		Any Open Center Hydraulic System

C0109

Specifications are subject to change without notice



**motralec**

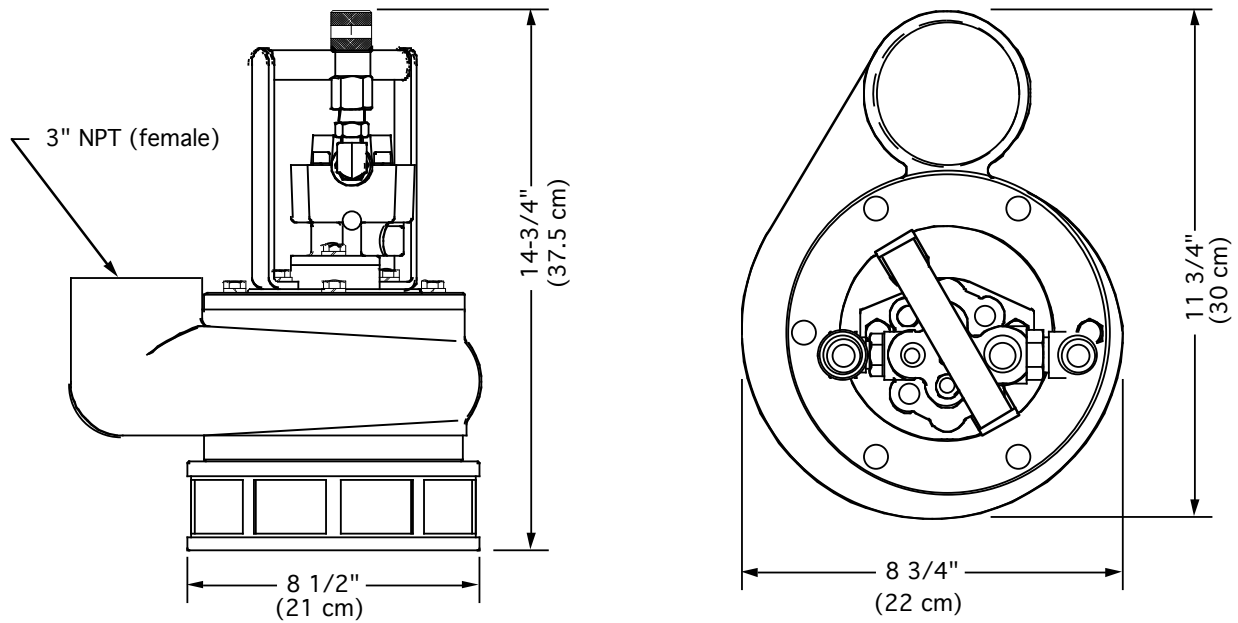
4 rue Lavoisier . ZA Lavoisier . 95223 HERBLAY CEDEX

Tel. : 01.39.97.65.10 / Fax. : 01.39.97.68.48

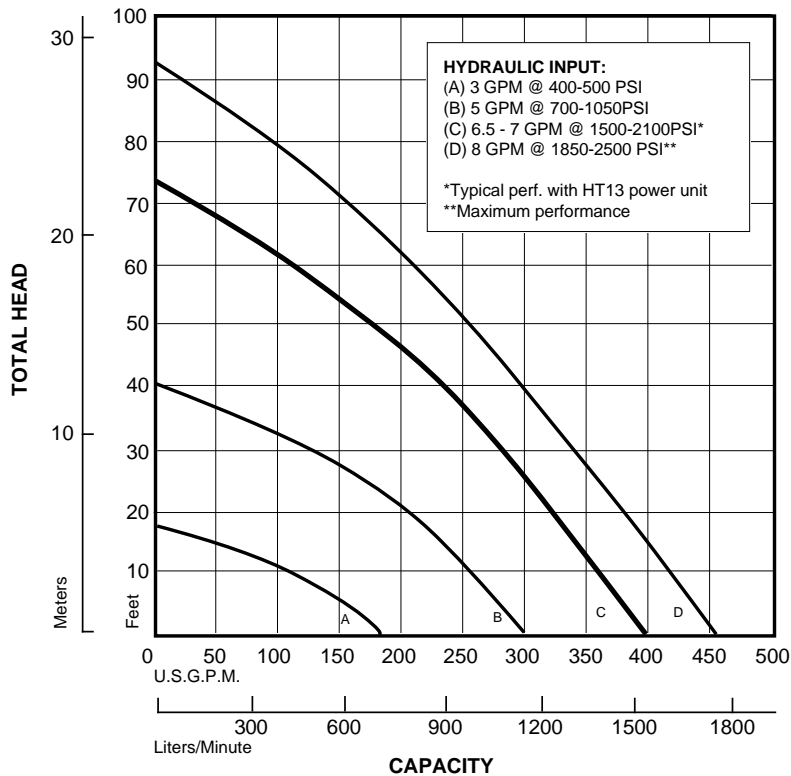
Demande de prix / e-mail : [service-commercial@motralec.com](mailto:service-commercial@motralec.com)

[www.motralec.com](http://www.motralec.com)

## Model S3TC Overall Dimensions



## S3TC Typical Performance



Curves are based on pumping water at 60°F. For performance curves other than shown above, consult factory.