



# HYDRA-TECH PUMPS

## 2" 'Mini-Sub' HYDRAULIC SUBMERSIBLE UTILITY PUMP

### MODEL S2C

2" (50 mm) Discharge

The S2C Mini-Sub is our most versatile, all purpose, utility pump. As part of the Mini-Sub System that includes our HT3G 'Ultra-Lite' Power Unit, this pump offers the best combination of light weight and portability of any self-contained submersible pump system on the market today.



## FEATURES

- Lightweight (Only 12 lbs.) for Easy Handling
- Rugged and Reliable gear motor
- Variable Speed hydraulic drive
- Small Size allows this pump to fit into 10" openings
- Internal By-pass Valve assures Correct Rotation
- Safe Hydraulic Drive can be used where electric power is hazardous or impractical
- Operates with our HT3G 'Ultra-Lite' power unit or other hydraulic power sources capable of flows to 1.5 GPM

## SPECIFICATIONS

WEIGHT:.....	12 lbs. (5.4 kg)
HEIGHT:.....	9 3/4" (25 cm)
WIDTH (@ widest point):.....	9 3/8" (24 cm)
DISCHARGE:.....	2" NPT(F)
SOLIDS HANDLING:.....	1/4" (6 mm)
HOSE PORTS:.....	3/8" (-6) SAE
PUMP BODY:.....	365T6 Aluminum
IMPELLER:.....	Ductile Iron
WEAR PLATE:.....	Delrin
SHAFT:.....	Heat Treated Alloy Steel
ELASTOMERS:.....	Buna N (Std)
HYDRAULIC OIL:.....	214-320 s.s.u. @ 100°F (64°C)
INPUT FLOW:.....	Max. 1.5 GPM (6 LPM)
OPERATING PRESSURE: Cont. Max:	2000 PSI (136 Bar)
	Int. Max: 2500 PSI (172 Bar)
POWER SOURCE:....	Any Open Center Hydraulic System

B0109

Specifications are subject to change without notice



**motralec**

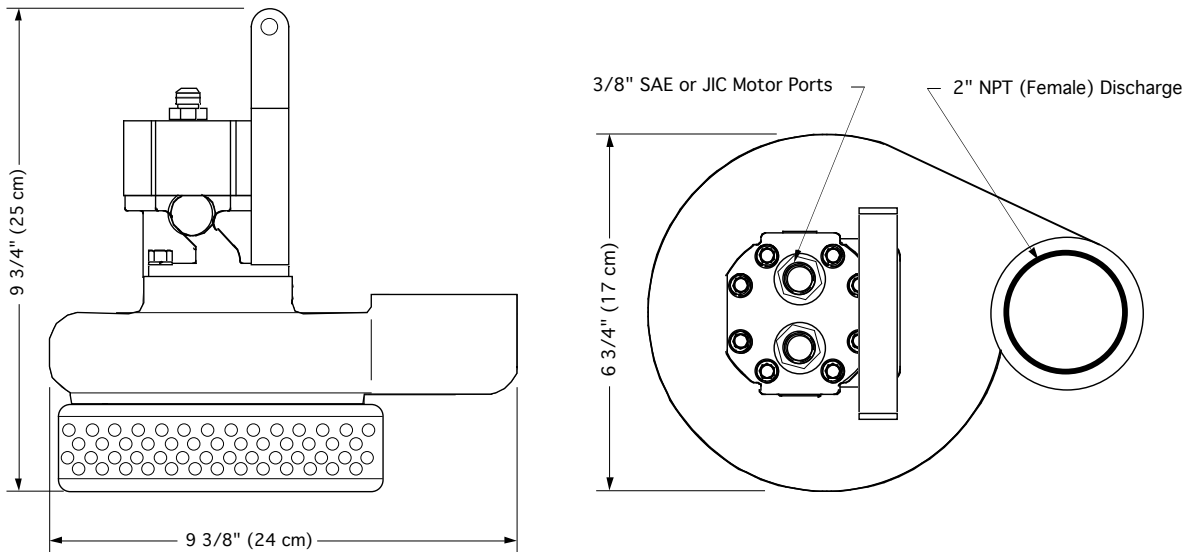
4 rue Lavoisier . ZA Lavoisier . 95223 HERBLAY CEDEX

Tel. : 01.39.97.65.10 / Fax. : 01.39.97.68.48

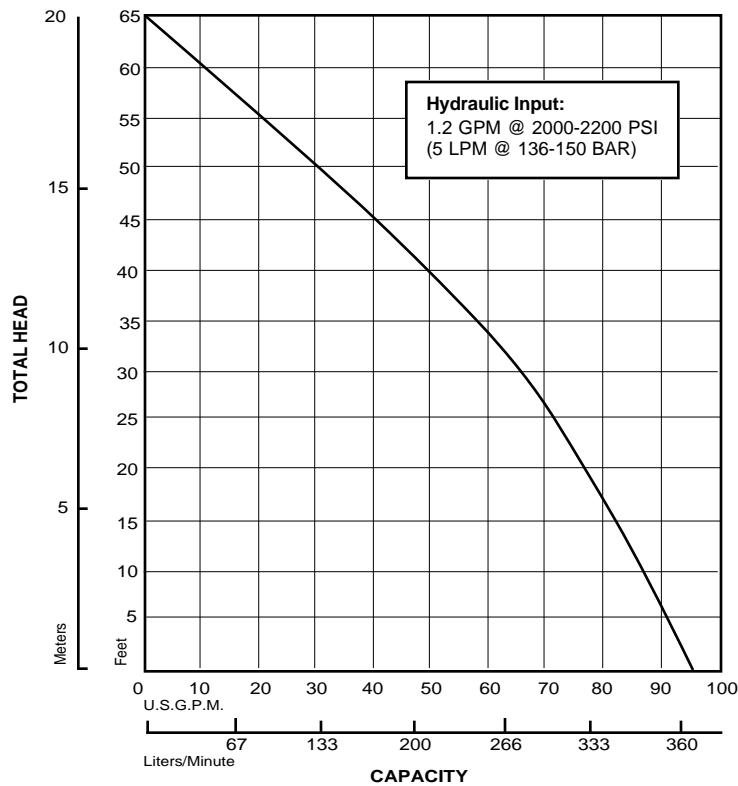
Demande de prix / e-mail : [service-commercial@motralec.com](mailto:service-commercial@motralec.com)

[www.motralec.com](http://www.motralec.com)

## Model S2C Overall Dimensions



## S2C Typical Performance



Curves are based on pumping water at 60°F. For performance curves other than shown above, consult factory.