



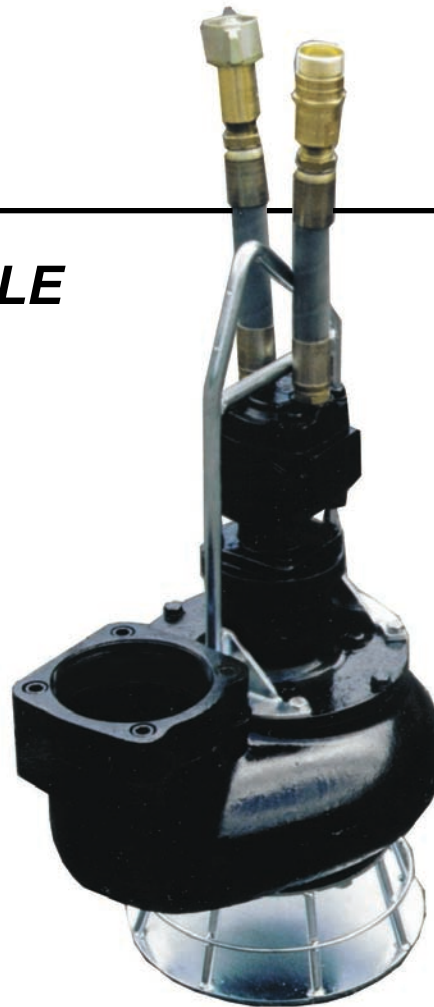
HYDRA-TECH PUMPS

6" HYDRAULIC SUBMERSIBLE TRASH PUMP

MODEL S6TC

6" (150 mm) Discharge

The S6TC is a 6" discharge trash pump designed specifically to easily pass through a 22" manhole. The S6TC is offered in your choice of two motor displacements to cover a wide range of hydraulic input flows. This pump is the most versatile 6" solids handler in our line.



FEATURES

- High Efficiency Closed Channel Impeller (will pass 3" semi-solids)
- Compact Design allows this pump to fit through a 21" opening
- Variable Speed hydraulic drive provides a wide range of performance
- Oil Lubricated Seals (can run dry)
- Adjustable Wear Ring
- Can be bolted directly into a pipeline or used as a booster pump
- Safe Hydraulic Drive can be used where electric power is hazardous or impractical
- Operates with our HT35 to HT60 power units or other hydraulic power sources capable of flows to 28 GPM

SPECIFICATIONS

WEIGHT:	255 lbs. (116 kg)
HEIGHT:	34" (86 cm)
WIDTH (@ widest point):	20-3/4" (53 cm)
DISCHARGE:	6" NPT(F)
INLET FLANGE:	6" 125# ANSI
SOLIDS HANDLING:	3" (75 mm)
HOSE PORTS:	1" (-16) SAE
PUMP BODY:	Ductile Iron
IMPELLER:	Ductile Iron
WEAR RING:	Ductile Iron
SHAFT:	17-4 PH Stainless Steel
SHAFT SEAL:	Carbon / Ceramic (Std) Silicon Carbide (Opt)
ELASTOMERS:	Buna N (Std)
HYDRAULIC OIL:	214-320 s.s.u. @ 100°F (64°C)
INPUT FLOW:	Max. 28 GPM (106 LPM)
OPERATING PRESSURE:	Max 2900 PSI (197 Bar)
POWER SOURCE:	Any Open Center Hydraulic System

B0109

Specifications are subject to change without notice



motralec

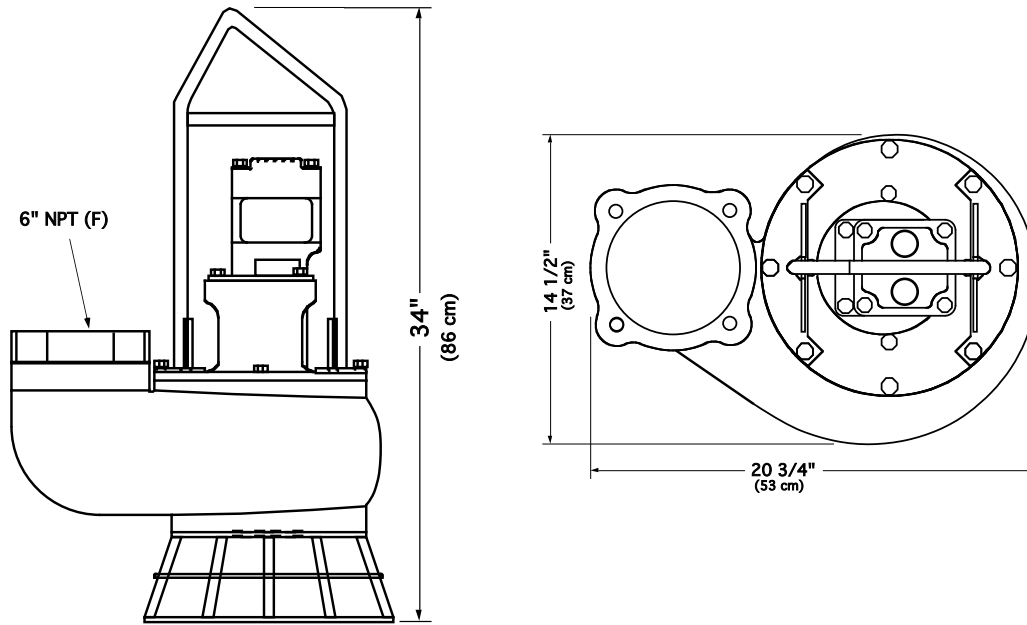
4 rue Lavoisier . ZA Lavoisier . 95223 HERBLAY CEDEX

Tel. : 01.39.97.65.10 / Fax. : 01.39.97.68.48

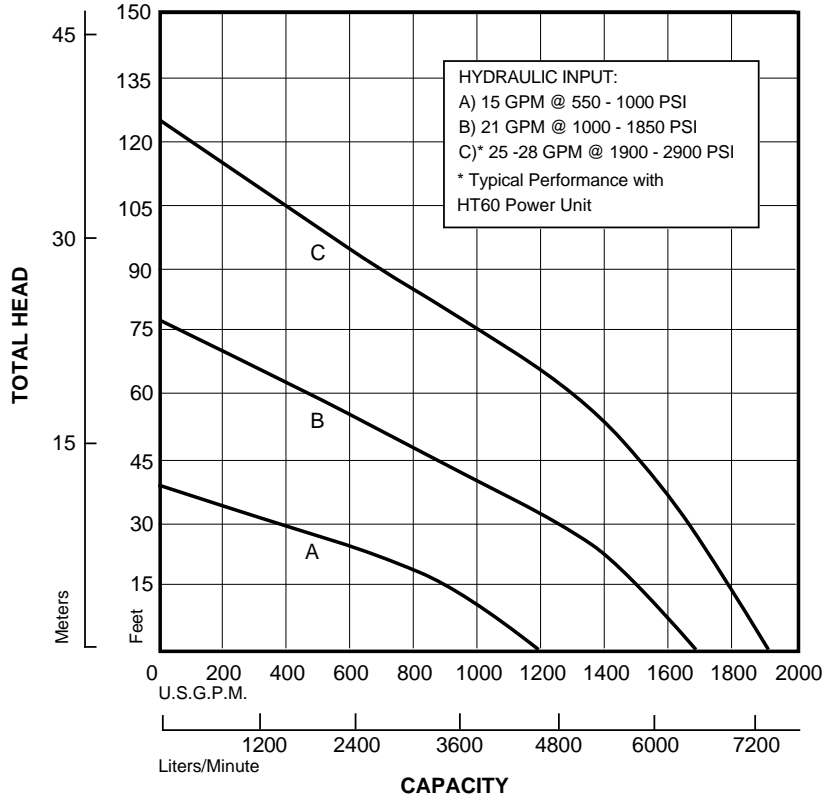
Demande de prix / e-mail : service-commercial@motralec.com

www.motralec.com

Model S6TC Overall Dimensions



S6TC Typical Performance



Curves are based on pumping water at 60°F. For performance curves other than shown above, consult factory.