



HYDRA-TECH PUMPS

3" HYDRAULIC SUBMERSIBLE SLUDGE / SLURRY PUMP

MODEL S3VHL (Aluminum Body)

MODEL S3VHLDI (Ductile Iron Body)

3" (75 mm) Discharge

The S3VHL is designed to pump sludge, slurries and liquids with stringy solids. Uses for this pump include liquid manure pumping, water treatment slurries and clarifier tanks. This versatile pump is offered in aluminum or ductile iron construction.



FEATURES

- Small Overall Size allows pump to fit through a 20" diameter opening
- Oil Lubricated Seals (can run dry)
- Variable Speed hydraulic drive
- Fully Recessed Vortex Impeller (will pass 3" semi-solids)
- Can be bolted directly into a pipeline or fitted with a suction hose for underwater dredging
- Safe Hydraulic Drive can be used where electric power is hazardous or impractical
- Dependable gear type hydraulic motor
- Operates with our HT15 to HT35 power units or other hydraulic power sources capable of flows of 10 - 18 GPM

SPECIFICATIONS

WEIGHT: (Aluminum).....	155 lbs. (70 kg)
(Ductile Iron).....	289 lbs. (131 kg)
HEIGHT:.....	33" (84 cm)
WIDTH(@ widest point):.....	19 3/4" (50 cm)
DISCHARGE:.....	3", NPT(F)
INLET FLANGE:.....	Drilled for 3" and 4", 125# ASA
SOLIDS HANDLING:.....	3" (8 cm)
HOSE PORTS:.....	1" (-16) SAE
PUMP BODY: (S3VHL).....	Heat Treated Aluminum
(S3VHLDI).....	Ductile Iron
IMPELLER:.....	Stainless Steel
WEAR RING and WEAR PLATE.....	Stainless Steel
SHAFT:.....	Stainless Steel
SHAFT SEAL:.....	Carbon/Ceramic (Std)
	Silicon Carbide (Optional)
ELASTOMERS:.....	Buna N (Std)
HYDRAULIC OIL:.....	214-320 s.s.u. @ 100°F (64°C)
INPUT FLOW:.....	Max 18 GPM (68 LPM)
OPERATING PRESSURE:.....	Max 3000 PSI (204 Bar)
POWER SOURCE:.....	Any Open Center Hydraulic System

C0109

Specifications are subject to change without notice



motralec

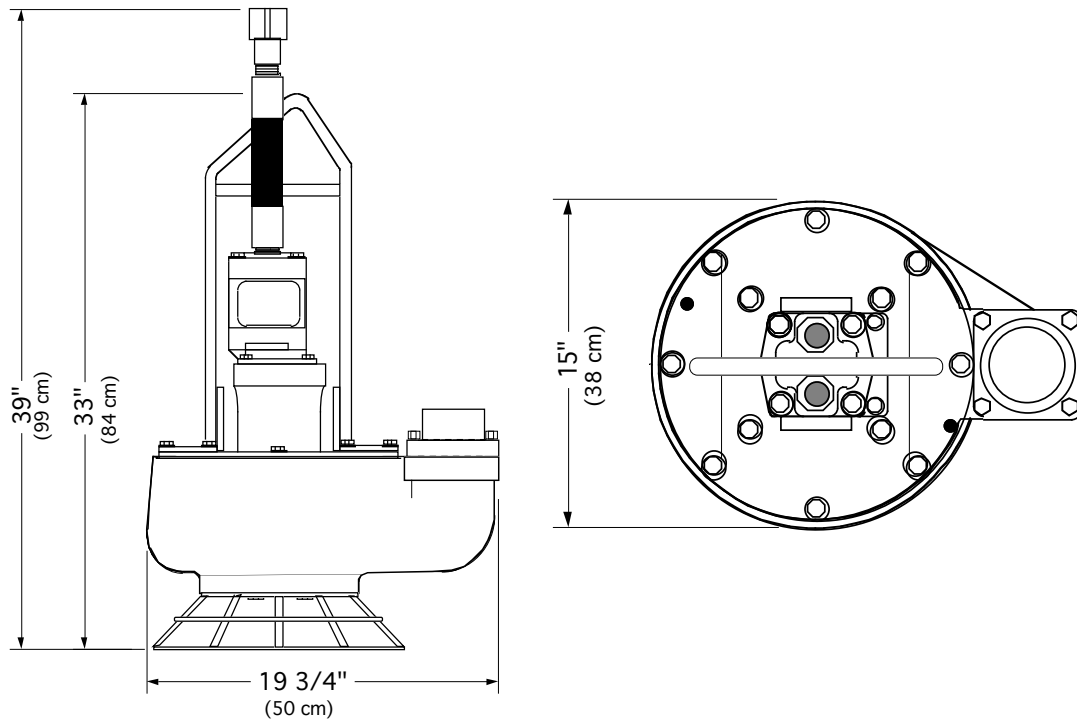
4 rue Lavoisier . ZA Lavoisier . 95223 HERBLAY CEDEX

Tel. : 01.39.97.65.10 / Fax. : 01.39.97.68.48

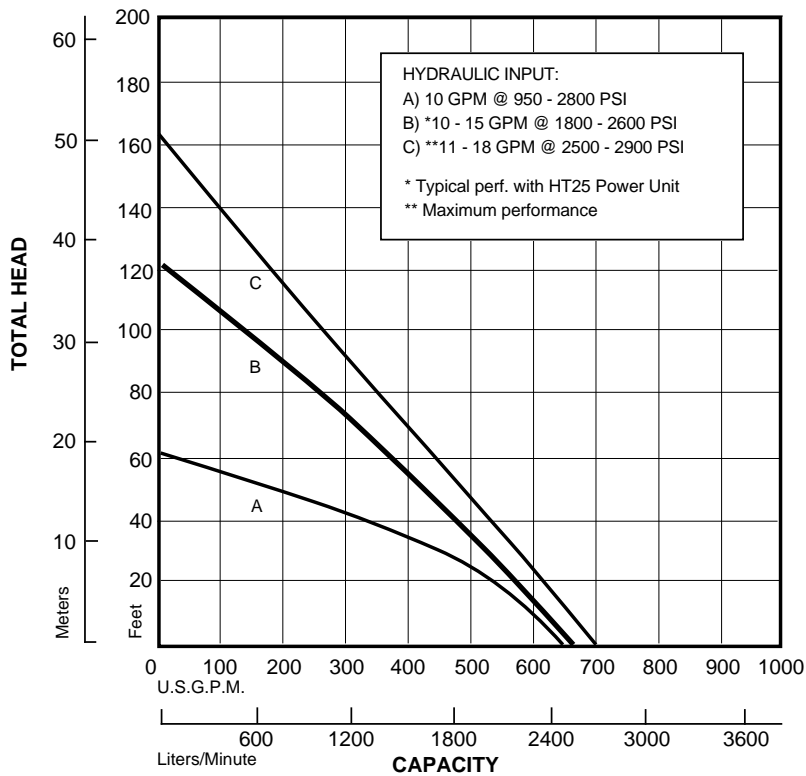
Demande de prix / e-mail : service-commercial@motralec.com

www.motralec.com

Model S3VHL Overall Dimensions



S3VHL Typical Performance



Curves are based on pumping water at 60°F. For performance curves other than shown above, consult factory.