



HYDRA-TECH PUMPS

1 1/2" HYDRAULIC SUBMERSIBLE SLIM-LINE PUMP

MODEL S1.5A

1 1/2" (38 mm) Discharge

The S1.5A is designed to be used as a dewatering pump in areas where space is limited. Typical uses for this pump include manhole, vault, blasthole, mine and construction jobsite dewatering.



FEATURES

- Small Overall Size Allows Pump To Fit Through 6" Diameter Opening
- Oil Lubricated Seals (can run dry)
- Variable Speed hydraulic drive
- Stainless Steel Impeller resists wear
- Rubber Coated Suction Case resists abrasion
- Safe Hydraulic Drive can be used where electric power is hazardous or impractical
- Dependable gear type hydraulic motor
- Operates with our HT6 to HT13 power units or other hydraulic power sources capable of flows of 3-7 GPM

SPECIFICATIONS

WEIGHT:	17 lbs. (8 kg)
HEIGHT:	15 1/2" (39 cm)
DIAMETER:	5 5/16" (14 cm)
DISCHARGE:	1 1/2", NPT(F)
SOLIDS HANDLING:	1/4" (7 mm)
HOSE PORTS:	3/8" NPT (F)
PUMP BODY:	Anodized Aluminum
IMPELLER:	Stainless Steel
SUCTION CASE:	Rubber Lined
SHAFT:	Stainless Steel
SHAFT SEAL:	Carbon / Ceramic
ELASTOMERS:	Buna N (Std)
HYDRAULIC OIL:	214-320 s.s.u. @ 100°F (64°C)
INPUT FLOW:	Max 7 GPM (26 LPM)
OPERATING PRESSURE:	Max 2000 PSI (136 Bar)
POWER SOURCE:	Any Open Center Hydraulic System

B0109

Specifications are subject to change without notice



motralec

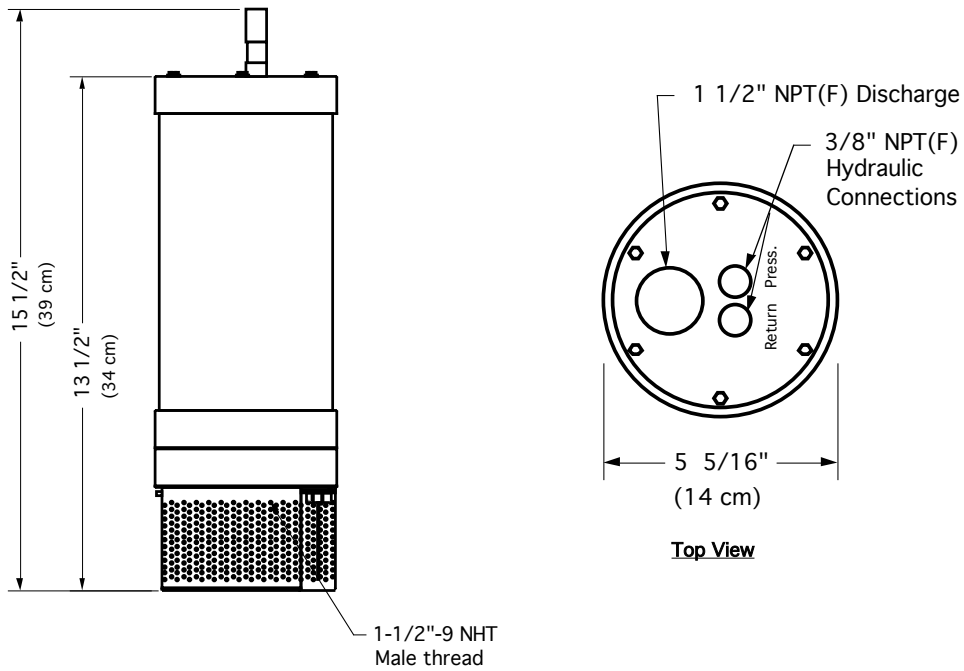
4 rue Lavoisier . ZA Lavoisier . 95223 HERBLAY CEDEX

Tel. : 01.39.97.65.10 / Fax. : 01.39.97.68.48

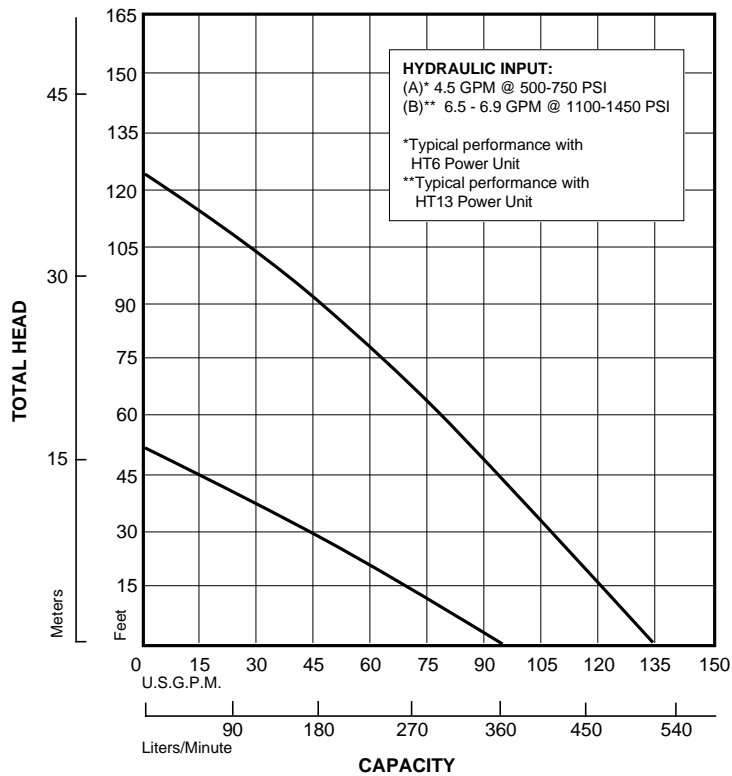
Demande de prix / e-mail : service-commercial@motralec.com

www.motralec.com

Model S1.5A Overall Dimensions



S1.5A Typical Performance



Curves are based on pumping water at 60°F. For performance curves other than shown above, consult factory.