



HYDRA-TECH PUMPS

3" HYDRAULIC SUBMERSIBLE SEWAGE / WASTEWATER PUMP

MODEL S3TR (Aluminum Body)

MODEL S3TRDI (Ductile Iron Body)

3" (75 mm) Discharge

The S3TR model is designed for difficult pumping jobs where stringy solids are present. A fully recessed vortex impeller allows this pump to handle difficult solids found in sewage applications. It has the ability to pass through a 12 inch opening and continue to pump in debris laden job sites.



FEATURES

- Stainless Steel Vortex Flow Impeller
- Oil Lubricated Seals (can run dry)
- Variable Speed hydraulic drive
- Small overall size for use tight spaces
- Can be bolted directly into a pipeline
- Safe Hydraulic Drive can be used where electric power is hazardous or impractical
- Dependable gear type hydraulic motor
- Operates with our HT11 to HT15 power units or other hydraulic power sources capable of flows of 5-8 GPM

SPECIFICATIONS

WEIGHT S3TR:.....	28 lbs. (13 kg)
S3TRDI:.....	56 lbs. (25 kg)
HEIGHT:.....	15" (38 cm)
WIDTH (@ widest point):.....	11 3/4" (30 cm)
DISCHARGE:.....	3" NPT(F)
INLET FLANGE:.....	3" 125# ASA
SOLIDS HANDLING:.....	2 1/2" (63 mm)
HOSE PORTS:.....	1/2" NPT (F)
PUMP BODY S3TR:.....	Aluminum
S3TRDI:.....	Ductile Iron
IMPELLER:.....	Stainless Steel
WEAR RING:.....	Ductile Iron
SHAFT:.....	Plated 4140 Steel
SHAFT SEAL:.....	Carbon/Ceramic (Std)
ELASTOMERS:.....	Buna N (Std)
HYDRAULIC OIL:.....	214-320 s.s.u. @ 100°F (64°C)
INPUT FLOW:.....	Max. 8 GPM (30 LPM)
OPERATING PRESSURE:.....	Max. 2500 PSI (170 Bar)
POWER SOURCE:.....	Any Open Center Hydraulic System

C0109

Specifications are subject to change without notice



motralec

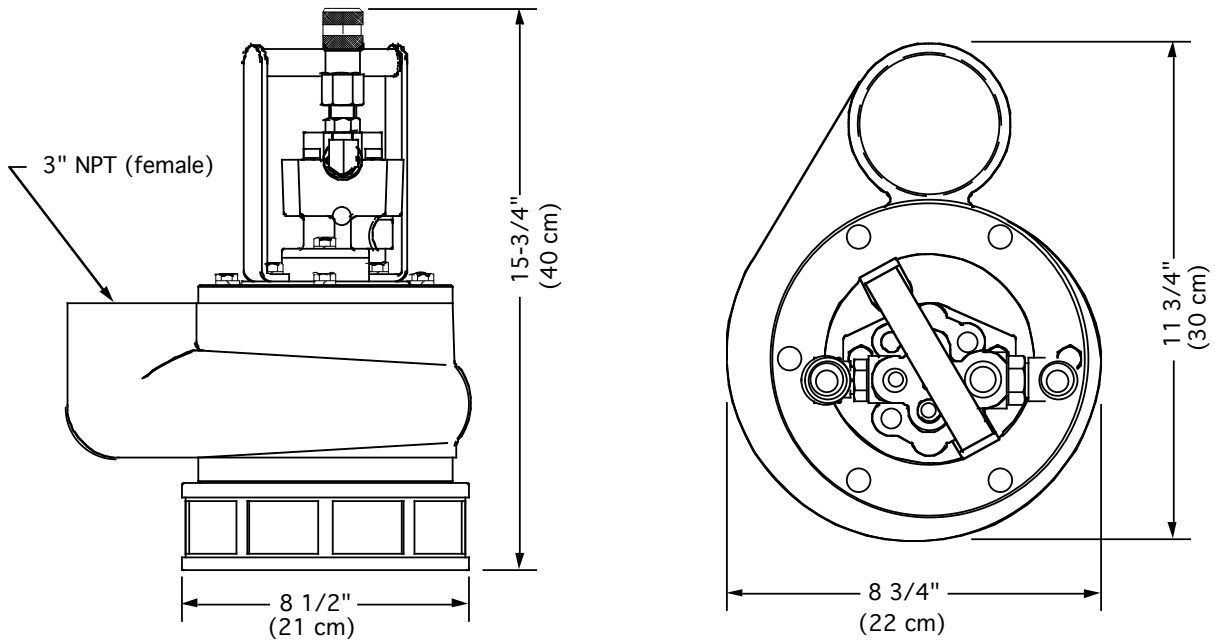
4 rue Lavoisier . ZA Lavoisier . 95223 HERBLAY CEDEX

Tel. : 01.39.97.65.10 / Fax. : 01.39.97.68.48

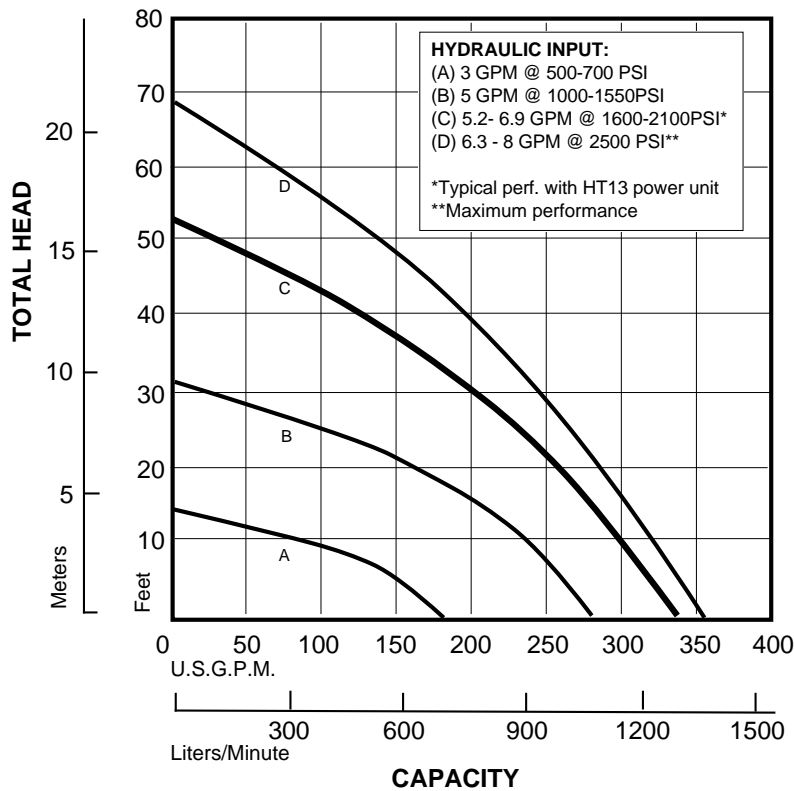
Demande de prix / e-mail : service-commercial@motralec.com

www.motralec.com

Model S3TR Overall Dimensions



S3TR Typical Performance



Curves are based on pumping water at 60°F. For performance curves other than shown above, consult factory.