



# HYDRA-TECH PUMPS

## 3" HYDRAULIC SUBMERSIBLE HIGH PERFORMANCE PUMP

### MODEL S3CML

3" x 2" (75 mm x 50 mm)

The S3CML is highly efficient water pump for use where small size, light weight, yet high performance pumping is required. Applications include portable firefighting, mine and deepwell de-watering, barge and ship tank stripping, irrigation, piling and dock jetting, and many other high head applications.



### FEATURES

- Compact, Powerful pump for High-Head applications
- Will pass through a 12 in. diameter deck opening or deepwell casing
- Oil Lubricated Seals (can run dry)
- Variable Speed hydraulic drive
- Wide Range of performance
- Can be bolted directly into a pipeline
- Safe Hydraulic Drive can be used where electric power is hazardous or impractical
- High Efficiency piston hydraulic motor
- Operates with our HT15 to HT35 power units or other hydraulic power sources with flows to 10 -16 GPM

### SPECIFICATIONS

WEIGHT:	45 lbs. (21 kg)
HEIGHT:	16 5/8" (42 cm)
WIDTH(@ widest point):	11 3/4" (30 cm)
DISCHARGE:	2" NPT(F)
INLET FLANGE:	3" 125# ASA
HOSE PORTS:	3/4" SAE (-12) or NPT(F)
PUMP BODY:	Heat Treated Aluminum
IMPELLER:	Bronze
WEAR RINGS:	Bronze
SHAFT:	Stainless Steel
SHAFT SEAL:	Carbon / Ceramic (Std)
ELASTOMERS:	Buna N (Std)
HYDRAULIC OIL:	SAE 10W or 20W Type AW
	also:.....Dexron ATF or Biodegradable Oil
INPUT FLOW:	Max. 16 GPM (60 LPM)
OPERATING PRESSURE:	Max 3500 PSI (238 Bar)
POWER SOURCE:	Any Open Center Hydraulic System

C0109

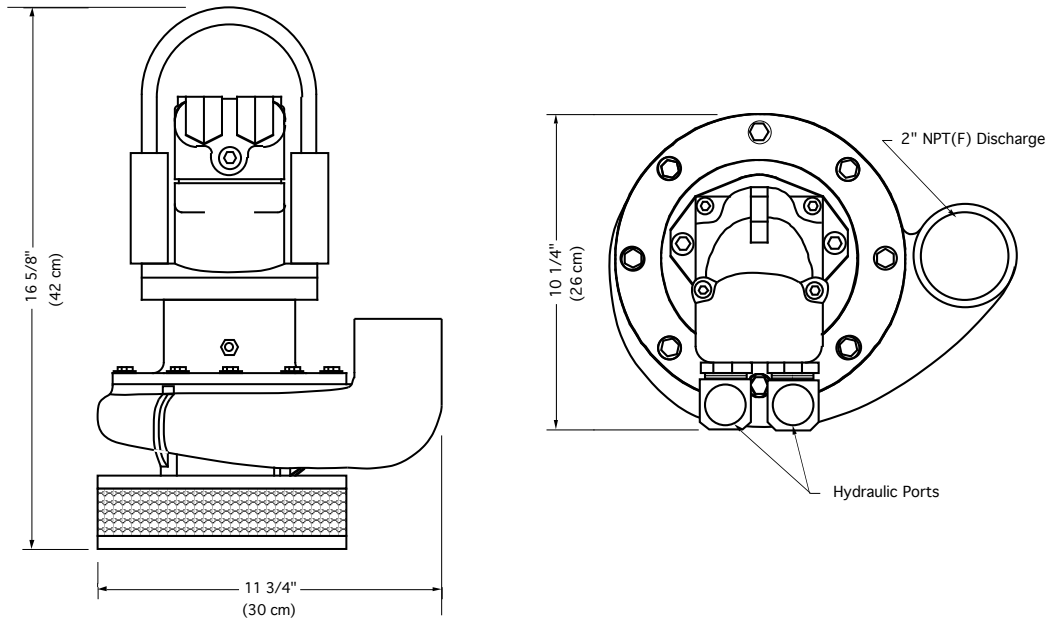
Specifications are subject to change without notice



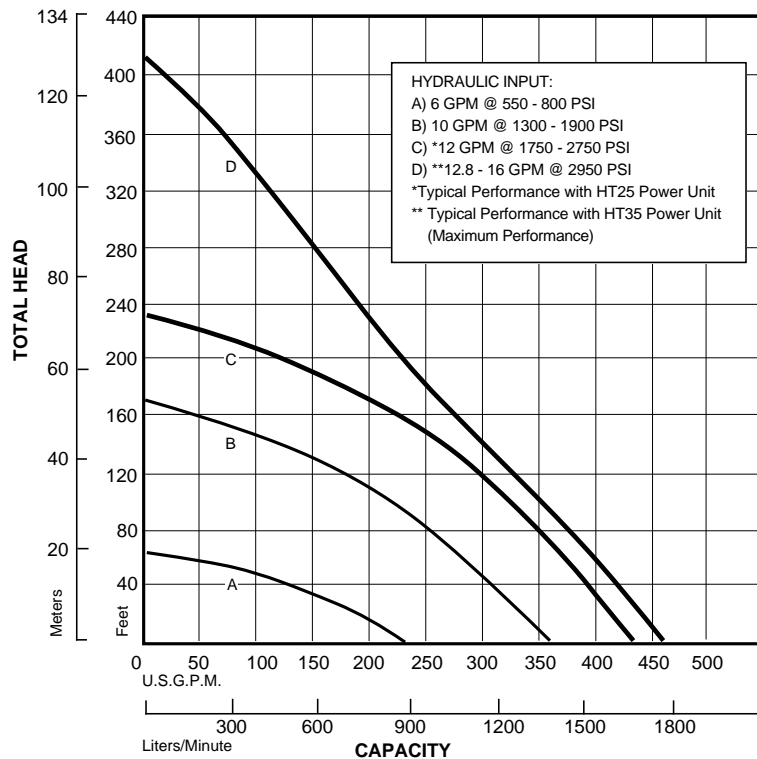
motralec

4 rue Lavoisier . ZA Lavoisier . 95223 HERBLAY CEDEX  
Tel. : 01.39.97.65.10 / Fax. : 01.39.97.68.48  
Demande de prix / e-mail : service-commercial@motralec.com  
[www.motralec.com](http://www.motralec.com)

## Model S3CML Overall Dimensions



## S3CML Typical Performance



Curves are based on pumping water at 60°F. For performance curves other than shown above, consult factory.