



HYDRA-TECH PUMPS

3" HYDRAULIC SUBMERSIBLE HIGH PERFORMANCE PUMP

MODEL S3CHL

3" x 2" (75 mm x 50 mm)

The S3CHL is ideal where small size, yet high performance pumping is required. The 1 1/4 in. diameter size and intrinsically safe hydraulic drive allow this pump to be installed in areas previously considered inaccessible. Applications include portable firefighting, mine and deepwell de-watering, barge and ship cargo pumping, tank stripping, irrigation, piling and dock jetting, and in-line booster pumping.



FEATURES

- Compact, Powerful pump for High-Head applications
- Will Pass Through a 12 in. "Butterworth" opening or Deepwell Casing
- Oil Lubricated Seals (can run dry)
- Variable Speed hydraulic drive
- Wide Range of performance
- Can be bolted directly into a pipeline
- Safe Hydraulic Drive can be used where electric power is hazardous or impractical
- High Efficiency piston hydraulic motor
- Operates with our HT50 to HT100 power units or other hydraulic power sources with flows of 15 - 30 GPM

SPECIFICATIONS

WEIGHT:..... 88 lbs. (40 kg)
 HEIGHT:..... 20" (51 cm)
 WIDTH(@ widest point):..... 11 3/4" (30 cm)
 DISCHARGE:..... 2" NPT(F)
 INLET FLANGE:..... 3" 125# ASA
 HOSE PORTS:..... 3/4" SAE (-12) or NPT(F)
 PUMP BODY:..... Ductile Iron
 IMPELLER:..... Bronze
 WEAR RINGS..... (2) Bronze
 SHAFT:..... Stainless Steel
 SHAFT SEAL:..... Carbon / Ceramic (Std)
 ELASTOMERS:..... Buna N (Std)
 HYDRAULIC OIL:..... SAE 10W or 20W Type AW
 also:.....Dexron ATF or Biodegradable Oil
 INPUT FLOW:..... Max. 30 GPM (114 LPM)
 OPERATING PRESSURE:.. Max 3500 PSI (238 Bar)
 POWER SOURCE: Any Open Center Hydraulic System

B0109

Specifications are subject to change without notice



motralec

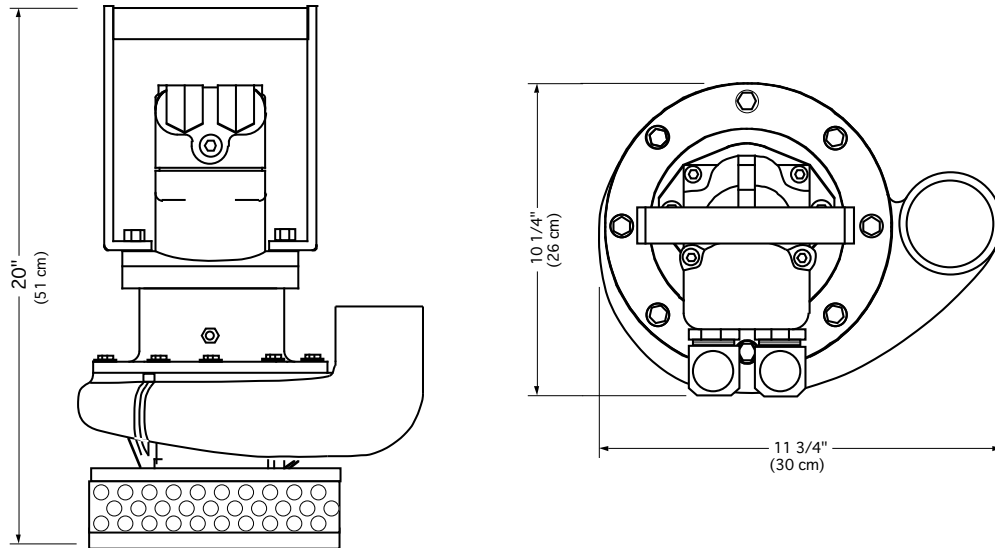
4 rue Lavoisier . ZA Lavoisier . 95223 HERBLAY CEDEX

Tel. : 01.39.97.65.10 / Fax. : 01.39.97.68.48

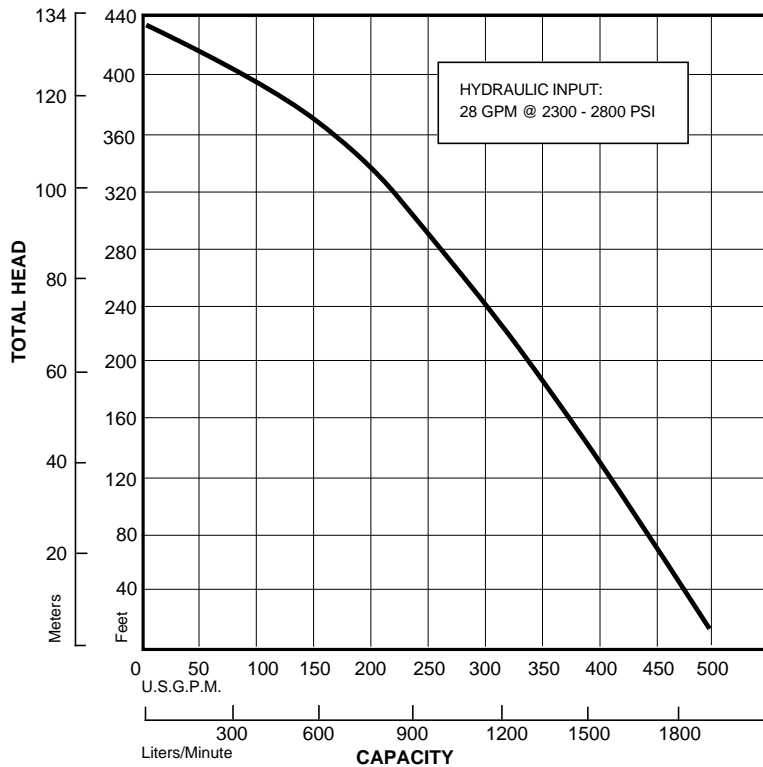
Demande de prix / e-mail : service-commercial@motralec.com

www.motralec.com

Model S3CHL Overall Dimensions



S3CHL Typical Performance



Curves are based on pumping water at 60°F. For performance curves other than shown above, consult factory.