



HYDRA-TECH PUMPS

8" HYDRAULIC SUBMERSIBLE AXIAL FLOW HIGH VOLUME PUMP

MODEL S8M

8" (200 mm) Discharge

The S8M offers a cost effective solution for pumping high volumes of water at low to medium heads. This pump is great for retention ponds, flood control, marine salvage and many other jobs that require quick and easy set-up.



FEATURES

- High Volume Axial Flow design
- High Efficiency mixed flow impeller
- Small Overall Size allows for use in tight spaces
- Variable Speed hydraulic drive
- Oil Lubricated Seals (can run dry)
- Dependable gear type hydraulic motor
- Safe Hydraulic Drive can be used where electric power is hazardous or impractical
- Operates with our HT20 to HT35 power units or other hydraulic power sources capable of flows to 18 GPM

SPECIFICATIONS

WEIGHT:	190 lbs. (86 kg)
HEIGHT:	31" (79 cm)
DIAMETER (@ widest point w/o flange):	17" (43 cm)
DISCHARGE:	8-5/8" O.D. Pipe or Flange
SOLIDS HANDLING:	1" (25 mm)
HOSE PORTS:	3/4" NPT
HYDRAULIC COUPLINGS:	3/4" Wing Nut Style
PUMP BODY:	Cast Iron
IMPELLER:	Bronze
SHAFT:	Stainless Steel
SHAFT SEALS:	Carbon/Ceramic (Std)
ELASTOMERS:	Buna N (Std)
HYDRAULIC OIL:	214-320 s.s.u. @ 100°F (64°C)
INPUT FLOW:	Max. 18 GPM (68 LPM)
OPERATING PRESSURE:	Max. 2800 PSI (190 Bar)
POWER SOURCE:	Any Open Center Hydraulic System

B0109

Specifications are subject to change without notice



motralec

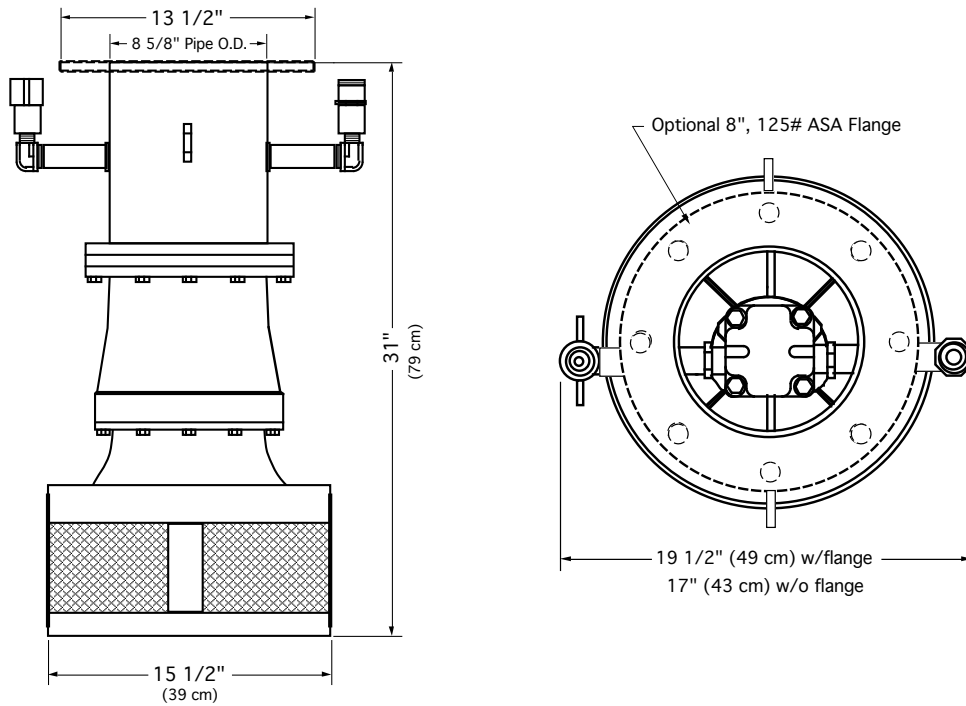
4 rue Lavoisier . ZA Lavoisier . 95223 HERBLAY CEDEX

Tel. : 01.39.97.65.10 / Fax. : 01.39.97.68.48

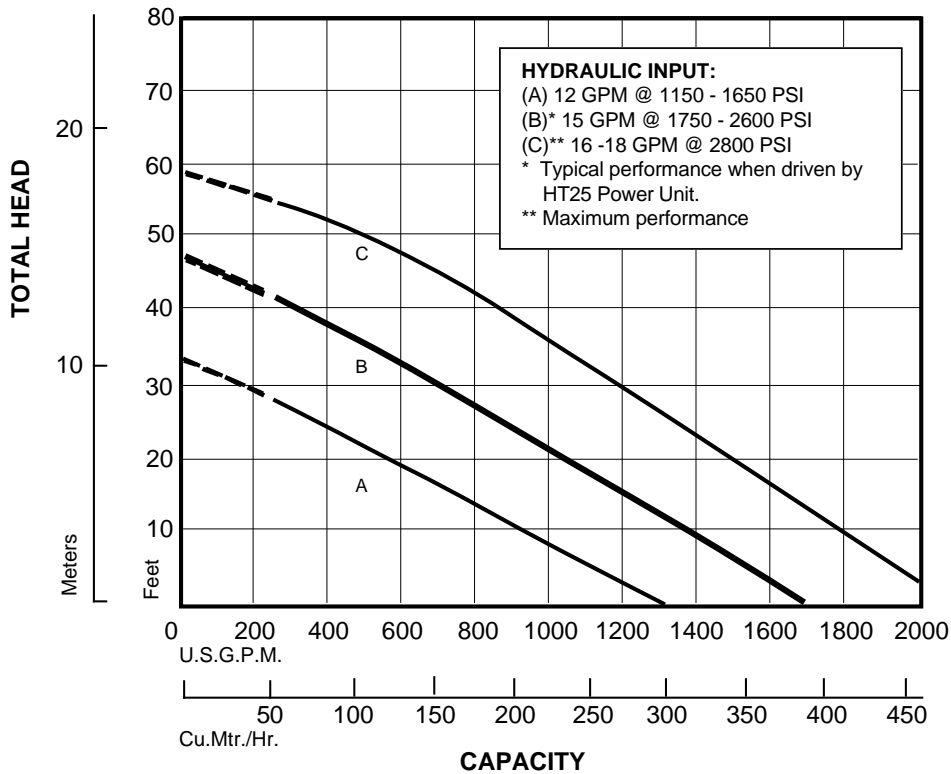
Demande de prix / e-mail : service-commercial@motralec.com

www.motralec.com

Model S8M Overall Dimensions



S8M Typical Performance



Curves are based on pumping water at 60°F. For performance curves other than shown above, consult factory.