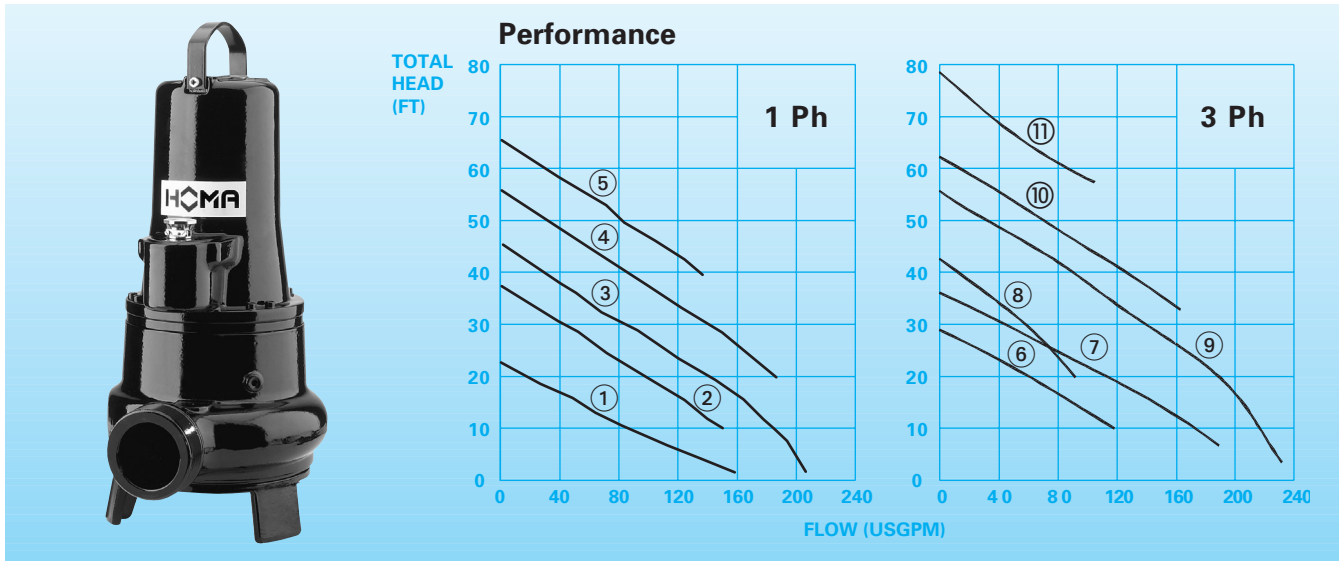




Submersible Wastewater Pumps with Vortex impeller 3" Discharge – 2" Solids

TP 53V



Application

The HOMA TP 53 Series of submersible pumps are ideal for wastewater and sewage service in residential, commercial and industrial applications. The TP 53 is also excellent for drainage applications where large solids are present.

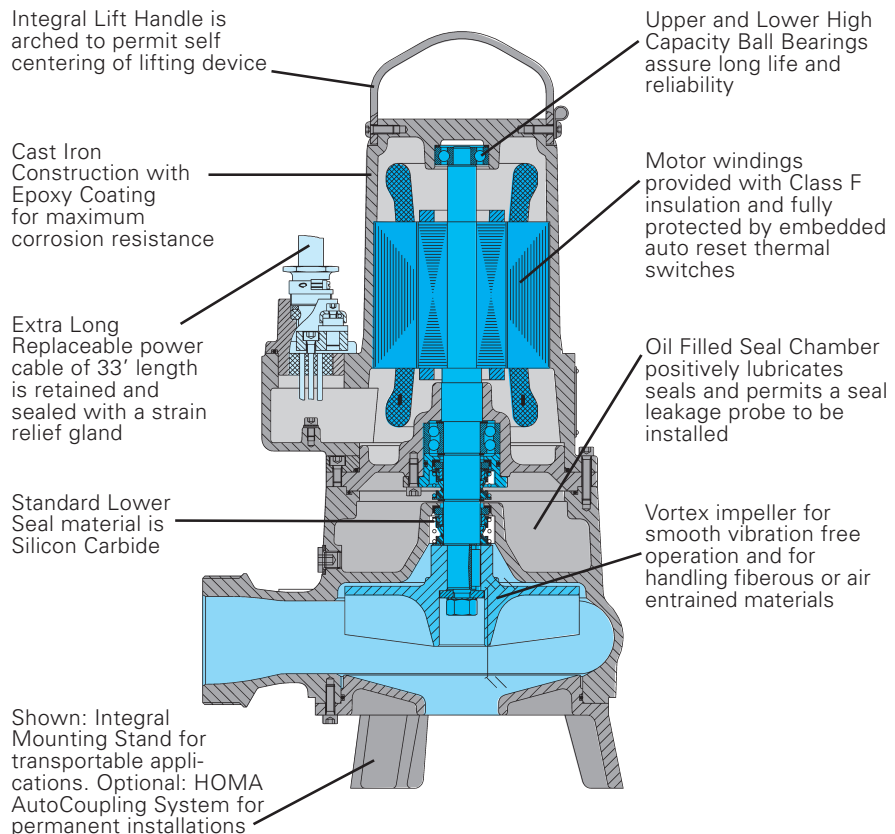
Typical Fluids Handled Are:

- Clear and Drainage Water
- Effluent and Sewage with Soft Solids
- Liquids to 140 F can be handled intermittently
- PH Range 5 – 9 with Specific Gravity to 1.1

TP 50 Series pumps are typically used in:

- Residential and Commercial Sewage
- Industrial Wastewater
- Effluent Distribution Systems
- Agricultural Wastewater
- Pond or Lake Water
- Processing Plants
- Optional Factory Mutual (FM) label for Class I, Div 1 EX construction.

Features

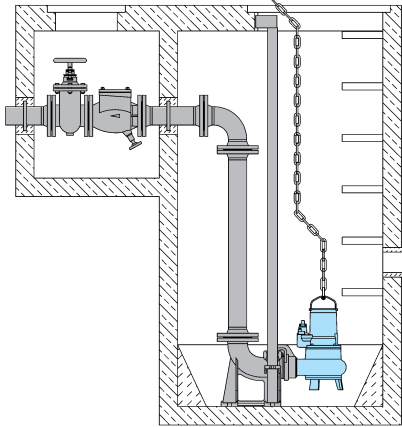


Motor Construction

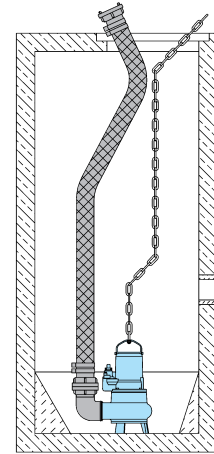
Motor Type:
 enclosed submersible
 NEMA Insulation Code: class F
 Service Factor: 1.15
 NEMA Design Type: B
 Standard Cable Length: 33 ft
 Available Motor Voltages:
 1 Phase: 115 V, 200 V, 230 V
 3 Phase: 200 V, 220 V, 230 V, 380 V
 460 V, 575 V
 Optional Explosion Proof construction:
 Factory Mutual approved for Class I,
 Div. 1, Group C & D.

Installations

Wet pit with autocoupling



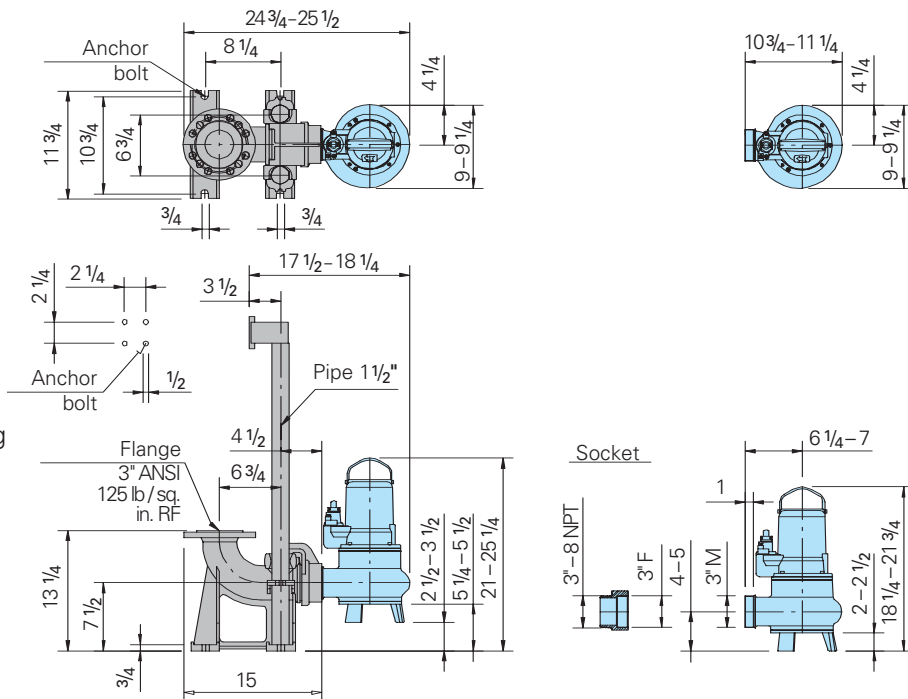
Basestand



Materials

Motor housing, Volute and Impeller
 Cast Iron ASTM A 48, Class 40B
 Mechanical seals – Impeller side
 Silicon Carbide vs Silicon Carbide
 Shaft seal - Motor side
 Mechanical Seal
 (Silicon Carbide vs Silicon Carbide)
 TP53V24... :Lip Seal
 O-Rings: Nitrile Rubber
 Upper Bearings:
 Single Row Ball Bearing
 Lower Bearings:
 Double row angular Ball Bearing
 TP53V24... : Deep groove ball bearing
 Power cable sheathing:
 Nitrile Rubber
 Shaft: AISI 430 F
 Fasteners: AISI 304

Dimensions (inches) (Tolerance +/- 1/4")



Technical Data

Curve No.	Pump Type	Rated B.H.P.	Phase	Voltage (V)	Full Load Amps	Speed (rpm)	Weight (LBS)	NEMA code
1	TP53V24/2/1	1.9	1	230	8.0	3450	55	F
2	TP53V38/2/1	2.6	1	230	12.0	3450	88	F
3	TP53V54L/2/1	4.3	1	230	18.5	3450	99	F
4	TP53V54N/2/1	4.3	1	230	18.5	3450	99	F
5	TP53V54H/2/1	4.3	1	230	18.5	3450	99	F
6	TP53V24/2/3	1.9	3	230/380/460	5.4/3.3/2.7	3450	55	G
7	TP53V24/4/3	1.9	3	230/380/460	5.2/3.2/2.6	1750	99	G
8	TP53V38/2/3	3.1	3	230/380/460	8.0/4.8/4.0	3450	88	F
9	TP53V54L/2/3	4.6	3	230/380/460	12.0/7.2/6.0	3450	99	F
10	TP53V54N/2/3	4.7	3	230/380/460	12.0/7.2/6.0	3450	99	F
11	TP53V54H/2/3	4.6	3	230/380/460	12.0/7.2/6.0	3450	99	F

