

PZK (PZ-10) Triplex Drilling Mud Pump



Specifications	Drilling Service
Maximum Input	1,350 BHP (1,007 kw)
Maximum RPM	115 RPM
Stroke Length	10" (254 mm)
Piston Load	139,800 lbs. (63,276 kg)
Pump Weight	37,000 lbs. (16,815 kg) average
Gear Ratio	4.38:1

PZK (PZ-10) Drilling Service Ratings

Piston Cylinder		Displacement				Maximum PSI		Pump RPM	JackShaft RPM
Diameter		Per Revolution		Per Minute		PSI	Kg/sq.cm2		
Inch	mm	Gal.	Lit.	Gal.	Lit.				
7	178	5	18.93	575	2,177	3,624	355	115	504
6.5	165	4.31	16.32	496	1,878	4,203	295		
6	152	3.67	13.89	422	1,597	4,933	347		
5.5	140	3.09	11.7	355	1,344	5,000	352		

Weight: Complete pump with large steel skid – 41,400 pounds.
 Ratings are based on 90% mechanical efficiency and 100% volumetric efficiency.

PZK (PZ-10) Triplex Drilling Mud Pump

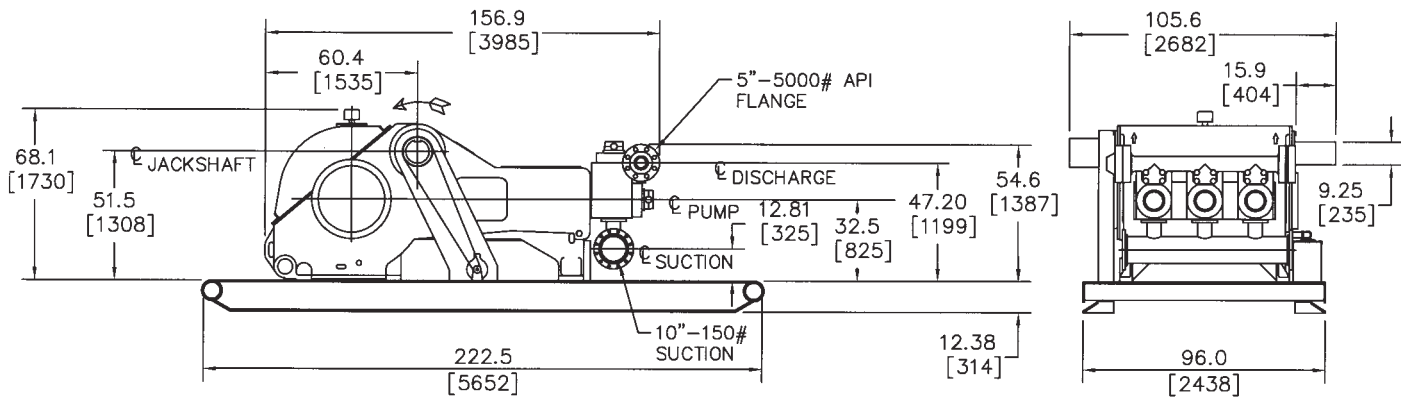


Standard Features

- Nodular iron power frame, eccentric, connection rods, and crossheads
- Double-row-spherical roller bearings carry eccentric
- Double extended Jackshaft carried on heavy-duty straight roller bearings
- Dual roller bearing connecting rod
- Heat-treated alloy steel main gears are bolted to the eccentric
- Replaceable bronze crosshead slides
- Full splash lubrication, with oil pump to feed working parts
- Heat-treated alloy steel, interchangeable fluid cylinders
- Three-rib API-7 urethane insert valves and seats
- Replaceable-type element oil filter and oil pressure gauge
- Threaded valve covers
- Plated piston rods
- Complete piston washing and lubrication system

Optional Equipment

- Steel skid under pump only
- Large steel skid with non-skid decking
- Centrifugal suction charging pump
- Rubber valve inserts
- Suction and/or discharge dampeners
- Oil heat exchanger
- External electric powered lube pump
- Fabricated suction manifold
- Complete package assembly
- Full open valves
- 7500 PSI fluid ends



Note: All installations must contain a pressure relief valve in the discharge line near the pump.

**Gardner
Denver**