

PZG (PZ-7) Triplex Drilling Mud Pump



Specifications	Drilling Service
Maximum Input	550 BHP (410 kw)
Maximum RPM	145 RPM
Stroke Length	7" (178 mm)
Piston Load	64,400 lbs. (29,211 kg)
Pump Weight	16,765 lbs. (7,620 kg) average
Gear Ratio	4.625:1

PZG (PZ-7) Drilling Service Ratings

Piston Cylinder		Displacement				Maximum		Pump RPM	JackShaft RPM
Diameter		Per Revolution		Per Minute		PSI			
Inch	mm	Gal.	Lit.	Gal.	Lit.	PSI	Kg/sq.cm2		
7	178	3.5	13.25	507	1,919	1,673	118	145	670
6.5	165	3.02	11.43	437	1,654	1,940	136		
6.25	152	2.78	10.55	404	1,530	2,100	148		
6	152	2.57	9.73	373	1,412	2,277	160		
5.5	140	2.16	8.18	313	1,185	2,710	191		
5	127	1.78	6.74	259	980	3,279	231		
4.5	114	1.45	5.49	210	795	4,048	285		
4	102	1.14	4.32	166	628	5,000	352		

Weight: Complete pump with large steel skid – 18,000 pounds.
 Ratings are based on 90% mechanical efficiency and 100% volumetric efficiency.

PZG (PZ-7) Triplex Drilling Mud Pump

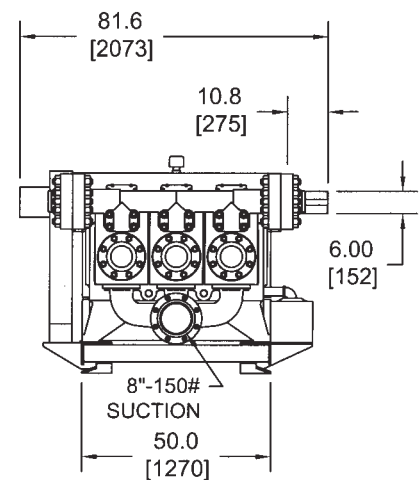
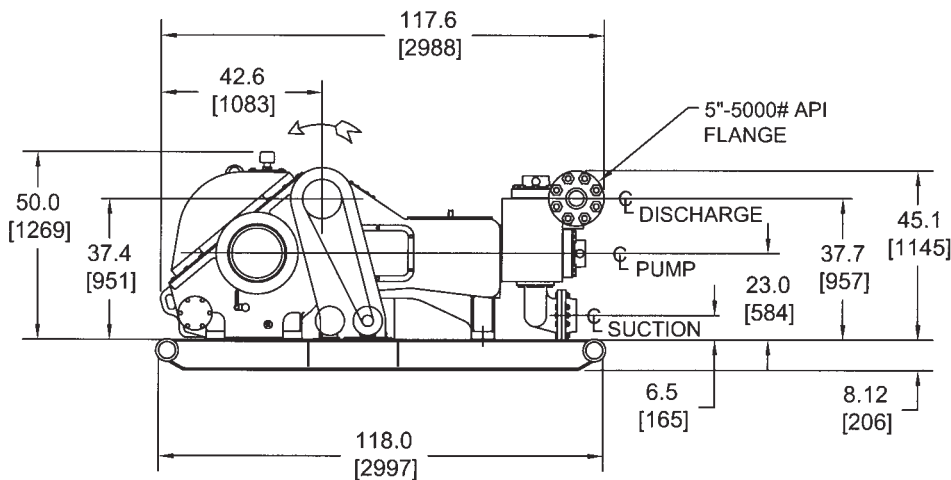


Standard Features

- Nodular iron power frame, eccentric, connection rods, and crossheads
- Double-row-spherical roller bearings carry eccentric
- Double extended Jackshaft carried on heavy-duty straight roller bearings
- Dual roller bearing connecting rod
- Heat-treated alloy steel main gears are bolted to the eccentric
- Replaceable bronze crosshead slides
- Full splash lubrication, with oil pump to feed working parts
- Heat-treated alloy steel, interchangeable fluid cylinders
- Three-rib API-7 urethane insert valves and seats
- Replaceable-type element oil filter and oil pressure gauge
- Threaded valve covers
- Plated piston rods
- Complete piston washing and lubrication system

Optional Equipment

- Steel skid under pump only
- Large steel skid with non-skid decking
- Centrifugal suction charging pump
- Rubber valve inserts
- Suction and/or discharge dampeners
- Oil heat exchanger
- External electric powered lube pump
- Fabricated suction manifold
- Complete package assembly
- Full open valves



Note: All installations must contain a pressure relief valve in the discharge line near the pump.

