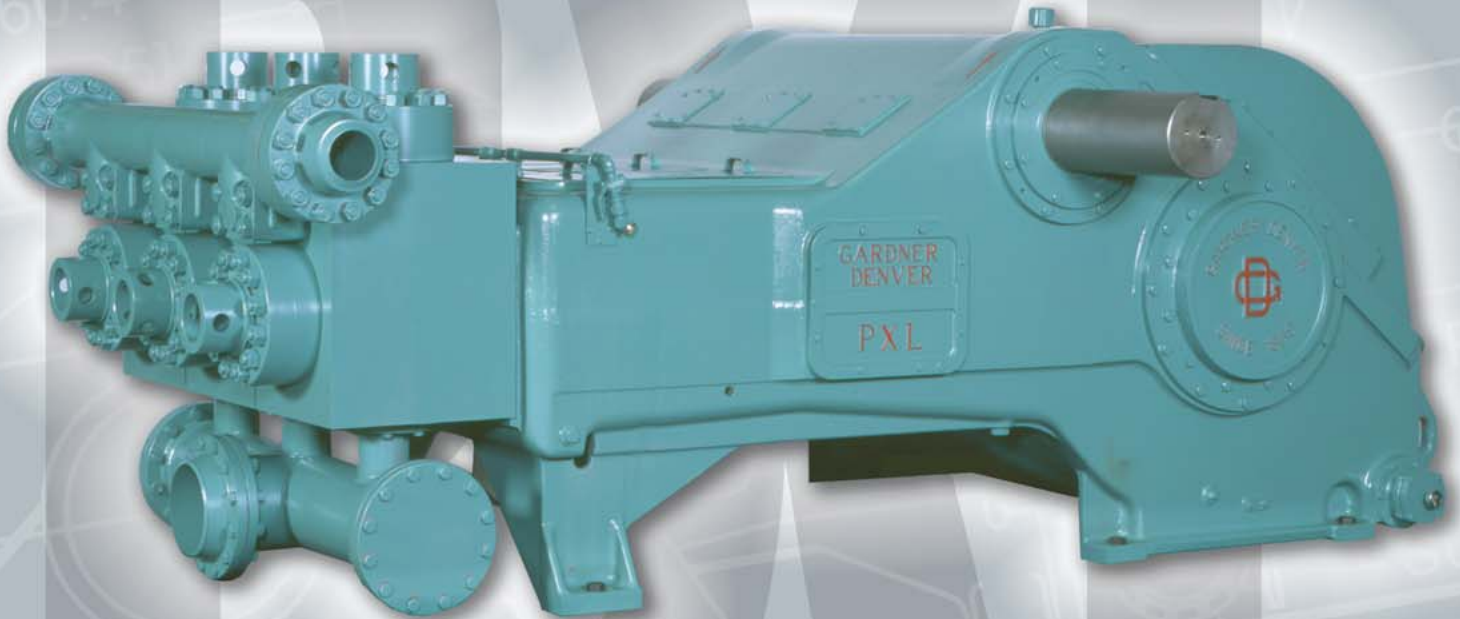


PXL Triplex Drilling Mud Pump



Specifications	Drilling Service
Maximum Input	2,000 BHP (1,491 kw)
Maximum RPM	115 RPM
Stroke Length	11" (279 mm)
Piston Load	186,875 lbs. (85,220 kg)
Pump Weight	41,750 lbs. (18,975 kg)
Gear Ratio	4.38:1

PXL 2000 HP Triplex Drilling Pump Performance Ratings

Cylinder		Displacement						Piston Load		Pump RPM	JackShaft RPM	Input HP	Input KW
Diameter		Per Revolution		Per Minute		Maximum PSI							
Inch	mm	Gal.	Lit.	Gal.	Lit.	PSI	Kg/sq.cm2	lbs.	Kg/sq.cm2				
7	178	5.5	20.78	632	2,385	4,880	343	187,875	85,220	115	504	2,000	1,007
6.5	165	4.74	17.94	545	2,063	5,660	398	187,875	85,220	115	504	2,000	1,491
6	152	4.04	15.29	465	1,760	6,645	467	187,875	85,220	115	504	2,000	1,491
5.5	140	3.40	12.87	390	1,476	7,500	527	178,200	80,832	115	504	1,900	1,417
5	127	2.80	10.60	323	1,223	7,500	527	147,260	66,797	115	504	1,570	1,171

Weight: Complete pump with large steel skid – 46,250 pounds.
 Ratings are based on 90% mechanical efficiency and 100% volumetric efficiency.

PXL Triplex Drilling Mud Pump

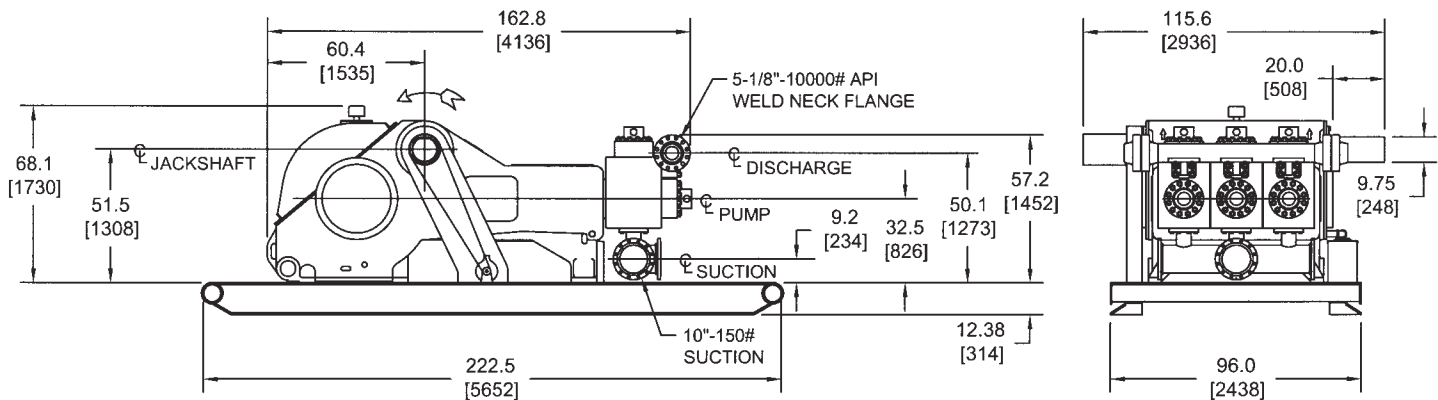


Standard Features

- Advanced homogenous nodular iron power frame with internal ribbing of critical areas for improved strength and higher horsepower
- Expanded eccentric wall thickness by 14% with improved tensile strength of 25%
- Cross sectional increases in the connecting rod and an increase in the crosshead slide area of 16%, improves bearing capacity and strengthen
- Double-row-spherical roller bearings carry eccentric
- Increased length of double extended jackshaft 5" and diameter by 1/2" carried on heavy-duty straight roller bearings improve strength and provide a more generous sprocket/sheave engagement
- Enlarged dual roller bearing connecting rods for increased load carrying capacity
- Main gears cut on heat-treated rolled alloy steel rings
- Replaceable bronze crosshead slides
- Full splash lubrication, with oil pump to feed working parts
- 7,500 PSI fluid end modules
- Heat-treated alloy steel, interchangeable fluid cylinders
- Three-rib API-6 urethane insert valves and seats
- Replaceable-type element oil filter and oil pressure gauge
- Threaded valve cover locks and rings
- Plated piston rods
- Complete piston washing and lubrication system
- Fabricated suction manifold

Optional Equipment

- Steel skid under pump only
- Large steel skid with non-skid decking
- Centrifugal suction charging pump
- Rubber valve inserts
- Suction and/or discharge dampeners
- Oil heat exchanger cooling system
- External electric powered lube pump
- Custom packaging available
- Full open valve



Note: All installations must contain a pressure relief valve in the discharge line near the pump.

**Gardner
Denver**