

# PAH Triplex Drilling Mud Pump



Shown with optional skid.

<b>Specifications</b>	Drilling Service
<b>Maximum Input</b>	275 BHP (205 kw)
<b>Maximum RPM</b>	175 RPM
<b>Stroke Length</b>	8" (203 mm)
<b>Rod Load</b>	22,030 lbs. (9,990 kg)
<b>Pump Weight</b>	9,200 lbs. (4,180 kg)
<b>Gear Ratio</b>	4.7:1

## PAH 275 HP Triplex Drilling Pump Performance Ratings

Model	Piston Cylinder		Displacement				Maximum		Pump RPM	JackShaft RPM	Input HP Maximum Speed
	Diameter		Per Revolution		Per Minute		PSI				
	Inch	mm	Gal.	Lit.	Gal.	Lit.	PSI	Kg/sq.cm2			
PAHD (plunger)	5*	127	2.04	7.72	357	1,351	1,122	79	175	823	275
	4.5	114	1.65	6.25	289	1,094	1,386	97			
	4	102	1.31	4.96	228	863	1,753	123			
PAHC (piston)	3.5	89	1.00	3.79	175	662	2,290	161	175	823	275
	3.25	83	.862	3.26	151	572	2,657	187			
	3	76	.734	2.79	128	485	3,118	219			

Weight: Complete pump with large steel skid – 9,850 pounds.

Ratings are based on 90% mechanical efficiency and 100% volumetric efficiency.

\* Five inch size available in piston and liner construction only.

# PAH Triplex Drilling Mud Pump

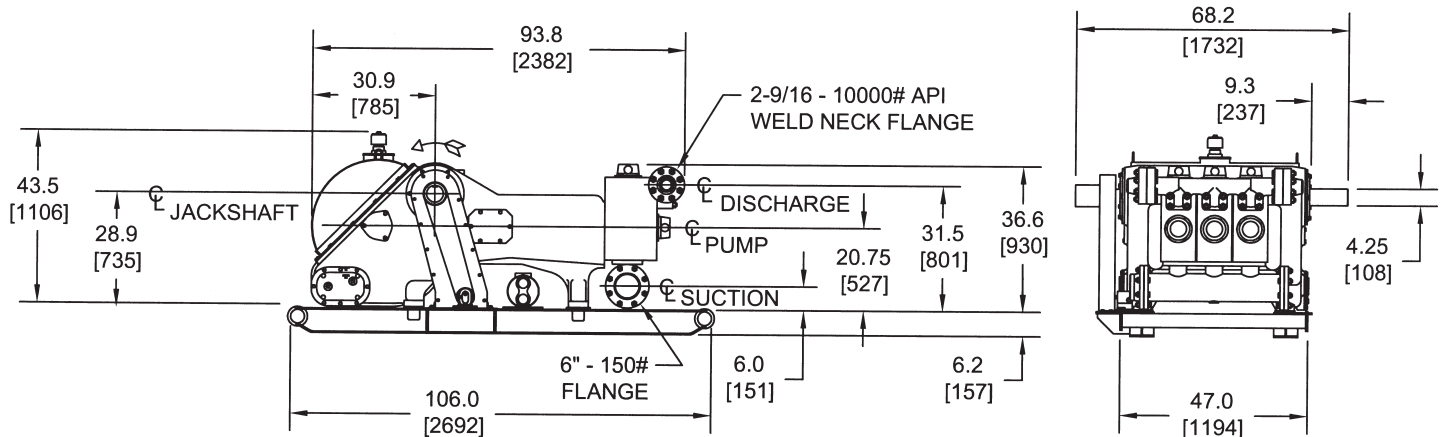


## Standard Features

- Nodular iron power frame, eccentric, connection rods, and crossheads
- Spherical roller bearings carry eccentric
- Double extended Jackshaft carried on heavy-duty straight roller bearings
- Dual roller bearing connecting rod
- Heat-treated 4140 alloy steel main gears are bolted to the eccentric
- Replaceable bronze crosshead slides
- Full splash lubrication, with oil pump to feed working parts
- Heat-treated alloy steel, interchangeable fluid cylinders
- Center guided with urethane insert valves and seats
- Replaceable-type element oil filter and oil pressure gauge
- Threaded valve covers
- Clamp connection between plated piston rod and extension rod
- Complete piston washing and lubrication system

## Optional Equipment

- Pistons and liners
- Fabricated steel skid under pump only
- Centrifugal suction charging pump
- Suction and/or discharge dampeners
- Oil heat exchanger cooling system
- External electric powered lube pump
- Custom packaging available



Note: All installations must contain a pressure relief valve in the discharge line near the pump.

**Gardner  
Denver**