

DGB**motralec**

4 rue Lavoisier . ZA Lavoisier . 95223 HERBLAY CEDEX
 Tel. : 01.39.97.65.10 / Fax. : 01.39.97.68.48
 Demande de prix / e-mail : service-commercial@motralec.com
www.motralec.com



Special alloy pumps

General characteristics

- Special alloy pumps
- 0,37 ÷ 1,5 kW motor power
- 2 poles
- GAS 2" vertical delivery port
- max 38 mm free passage

Electromechanical assembly

Electromechanical assembly in B10 bronze, for submerged operation. Seal set comprising 1 (one) silicon carbide mechanical seal and 1 (one) graphite alumina mechanical seal, installed opposing with oil lubrication. Oil bath motor. Separate pump body. Series not available in explosion-proof version.

Applications

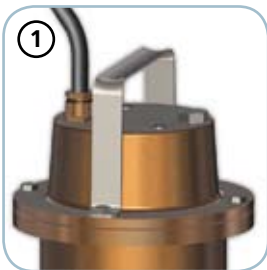
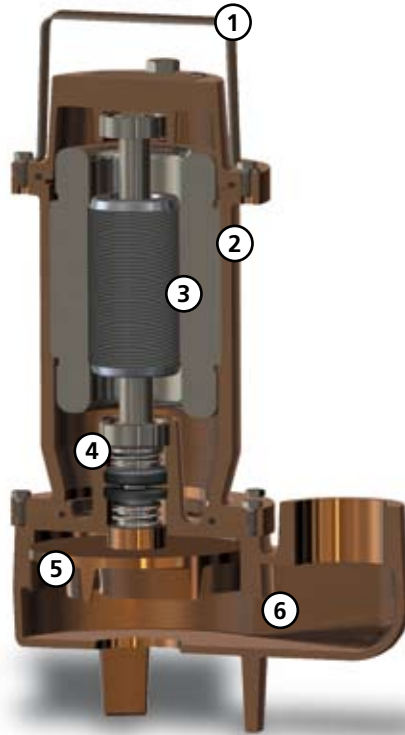
Suitable for lifting chemically aggressive soiled liquids, dyes and seawater. These units are therefore ideal for applications in the tanning industry, the paper industry and the shipping sector.

Construction materials

Case	Bronze B10
Impeller	Bronze B10
Nuts and bolts	Stainless Steel - Class A4
Standard gasket	Rubber - VITON
Shaft	Stainless Steel - AISI 316
Set of standard mechanical seals	Two Silicon carbide mechanical seals (2SiC)

Operating limits

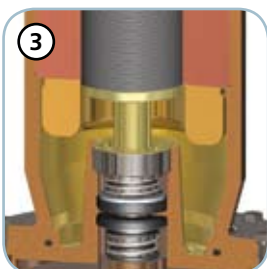
Maximum operating temperature	40 °C
PH of treated fluid	5 to 10 pH
Viscosity of treated fluid	1 mm ² /s
Maximum immersion depth	20 m
Density of treated fluid	1 Kg/dm ³
Maximum acoustic pressure	70 dB
max starts per hour	20



Handle
AISI 316 stainless steel lifting and carrying handle



Structure
B10 bronze construction which makes the pump suitable for use with chemically aggressive liquids



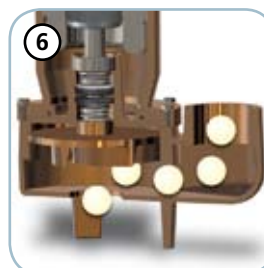
Motor
Oil-bath motor with thermal overloads



Mechanical seals
Two mechanical seals in silicon carbide (2SiC)



Impeller
Multichannel open impeller in B10 bronze



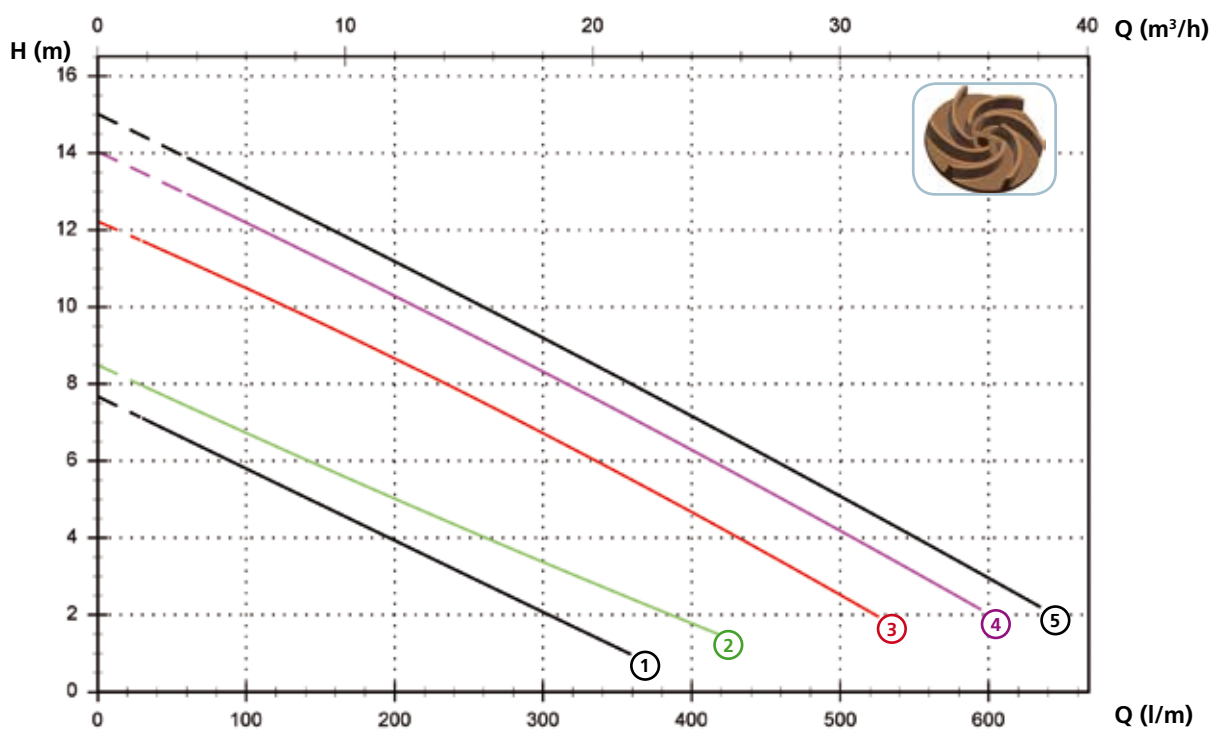
Free passage
Ample free passage allowing the expulsion of solids and preventing fouling of the impeller

DGB

Models with vertical GAS 1 1/4" threaded delivery port - 2 poles

Performances

	l/s	0	1	2	3	4	5	6	7	8	9	10
	l/min	0	60	120	180	240	300	360	420	480	540	600
	m ³ /h	0	3,6	7,2	10,8	14,4	18,0	21,6	25,2	28,8	32,4	36,0
①	DGB 50/2/G50V A0CM(T)/50	7,7	6,6	5,4	4,3	3,2	2,1					
②	DGB 75/2/G50V A0CM (T)/50	8,5	7,4	6,4	5,4	4,4	3,4	2,4				
③	DGB 100/2/G50V A0CM (T)/50	12,2	11,2	10,1	9,0	7,9	6,7	5,5	4,3	3,0		
④	DGB 150/2/G50V A0CM (T)/50	14,0	12,9	11,8	10,7	9,5	8,3	7,1	5,9	4,6	3,3	
⑤	DGB 200/2/G50V A0CM (T)/50	15,0	13,9	12,7	11,6	10,4	9,2	8,0	6,8	5,5	4,2	3,0



Technical data

	V	Phases	P1 (kW)	P2 (kW)	A	Rpm	Ø	Cable (*)	Free passage	
①	DGB 50/2/G50V A0CM/50	230	1	-	0.37	2.9	2900	G 2"	A	38 mm
②	DGB 75/2/G50V A0CM/50	230	1	-	0.55	3.9	2900	G 2"	A	38 mm
③	DGB 100/2/G50V A0CM/50	230	1	-	0.88	6.5	2900	G 2"	A	38 mm
④	DGB 150/2/G50V A0CM/50	230	1	-	1.1	8.2	2900	G 2"	A	38 mm
⑤	DGB 200/2/G50V A0CM/50	230	1	-	1.5	9.3	2900	G 2"	A	38 mm

	V	Phases	P1 (kW)	P2 (kW)	A	Rpm	Ø	Cable (*)	Free passage	
①	DGB 50/2/G50V A0CT/50	400	3	-	0.37	1.1	2900	G 2"	A	38 mm
②	DGB 75/2/G50V A0CT/50	400	3	-	0.55	1.4	2900	G 2"	A	38 mm
③	DGB 100/2/G50V A0CT/50	400	3	-	0.88	2.3	2900	G 2"	A	38 mm
④	DGB 150/2/G50V A0CT/50	400	3	-	1.1	2.7	2900	G 2"	A	38 mm
⑤	DGB 200/2/G50V A0CT/50	400	3	-	1.5	3.6	2900	G 2"	A	38 mm

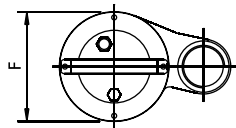
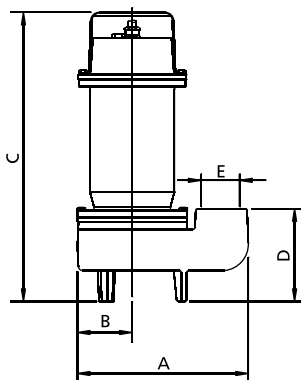
(*) A = H07RN-F 4G1 - 10 m

Versions available

(Key to versions on page 15)

	Electrical variants												Cooling		Mechanical seals			
	N A E	T C	T C D	T C D T	T C D G T	T C G	T C S T	T C S G T	T S	T R	T R G	C G F T	N	CC	2SIC	SICM	SICAL	2SICAL
DGB 50/2/G50V A0CM/50	●						●	●					●		●			
DGB 75/2/G50V A0CM/50	●						●	●					●		●			
DGB 100/2/G50V A0CM/50	●						●	●					●		●			
DGB 150/2/G50V A0CM/50	●						●	●					●		●			
DGB 200/2/G50V A0CM/50	●						●	●					●		●			
DGB 50/2/G50V A0CT/50	●												●		●			
DGB 75/2/G50V A0CT/50	●												●		●			
DGB 100/2/G50V A0CT/50	●												●		●			
DGB 150/2/G50V A0CT/50	●												●		●			
DGB 200/2/G50V A0CT/50	●												●		●			

Overall dimensions and weights

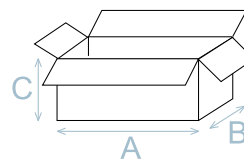


	A	B	C	D	E	F	kg
DGB 50/2/G50V A0CM(T)/50	225	75	360	120	G 2"	155	16.5
DGB 75/2/G50V A0CM(T)/50	225	75	360	120	G 2"	155	18
DGB 100/2/G50V A0CM(T)/50	245	80	410	130	G 2"	155	22
DGB 150/2/G50V A0CM(T)/50	245	80	410	130	G 2"	155	23
DGB 200/2/G50V A0CM(T)/50	245	80	410	130	G 2"	155	26

Measurements in mm

Packaging dimension

	A	B	C
DGB 50/2/G50V A0CM(T)/50	385	225	245
DGB 75/2/G50V A0CM(T)/50	385	225	245
DGB 100/2/G50V A0CM(T)/50	475	285	235
DGB 150/2/G50V A0CM(T)/50	475	285	235
DGB 200/2/G50V A0CM(T)/50	475	285	235



Dimension in mm

Installations available

