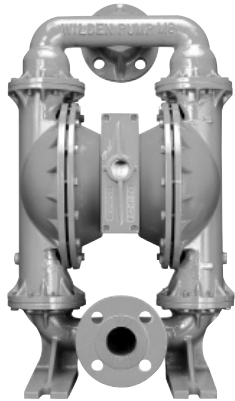


## PV800 ADVANCED™ METAL PUMP



### PUMP DATA

#### Specifications:

Height: 760 mm (29.9")  
 Width: 439 mm (17.3")  
 Depth: 340 mm (13.4")  
 Air Inlet: 19 mm (3/4" FNPT)  
 Liquid Inlet: 51 mm (2")  
 Liquid Outlet: 51 mm (2")

#### Wetted Material:

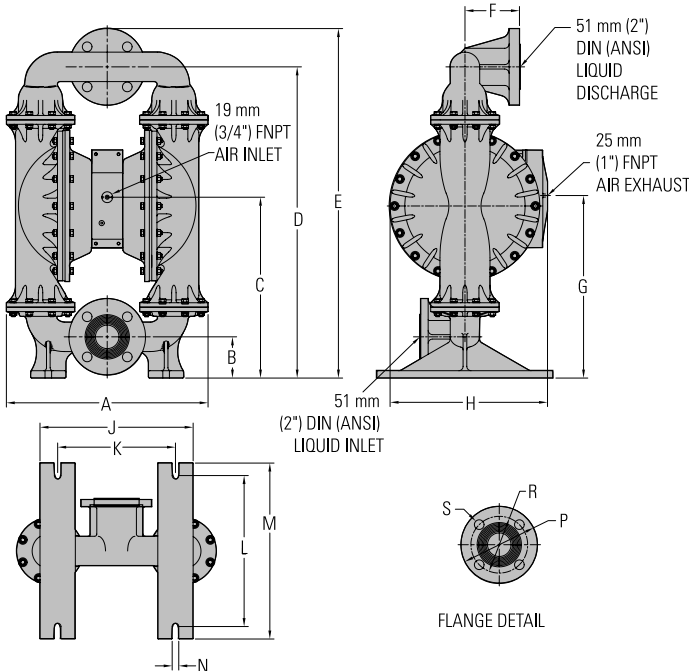
Alloy C: 107 kg (236 lbs)  
 Aluminum: 38 kg (83 lbs)  
 Stainless Steel: 103 kg (228 lbs)

#### Temperature Limits:

Nylon -17.8°C to 93.3°C 0°F to 200°F  
 Neoprene -17.8°C to 93.3°C 0°F to 200°F  
 Buna-N -12.2°C to 82.2°C 10°F to 180°F  
 Nordel® -51.1°C to 137.8°C -60°F to 280°F  
 Viton® -40°C to 176.7°C -40°F to 350°F  
 Wil-Flex™ -40°C to 107.2°C -40°F to 225°F  
 Polyurethane 12.2°C to 65.6°C 10°F to 150°F  
 Saniflex™ -28.9°C to 104.4°C -20°F to 220°F  
 PTFE -28.9°C to 148.9°C -20°F to 300°F

### PERFORMANCE

Max. Flow: Rubber/TPE 674 lpm (178 gpm)  
 PTFE 575 lpm (152 gpm)  
 Max. Pressure: 8.6 bar (125 psig)  
 Max. Solids Passage: 6.4 mm (1/4")  
 Max. Suction Lift (wet): Rubber/TPE 9.5 m (31.2')  
 PTFE 9.5 m (31.2')  
 (dry): Rubber/TPE 7.3 m (23.8')  
 PTFE 5.4 m (17.6')



ITEM	METRIC (mm)	STANDARD (inch)	ITEM	METRIC (mm)	STANDARD (inch)
A	439	17.3	K	254	10.0
B	89	3.5	L	325	12.8
C	396	15.6	M	378	14.9
D	676	26.6	N	15	0.6
E	760	29.9		DIN (mm)	ANSI (inch)
F	117	4.6	P	165 DIA.	6.5 DIA.
G	399	15.7	R	122 DIA.	4.8 DIA.
H	340	13.4	S	20 DIA.	0.8 DIA.
J	330	13.0			

