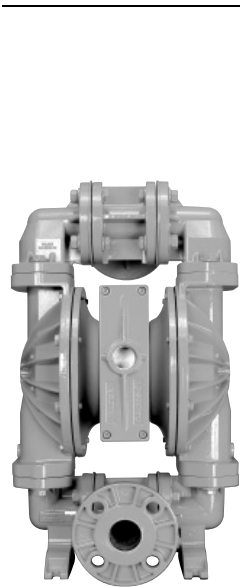


## PV400 ADVANCED™ METAL PUMP



### PUMP DATA

#### Specifications:

Height: 594 mm (23.4")  
 Width: 343 mm (13.5")  
 Depth: 310 mm (12.2")  
 Air Inlet: 19 mm (3/4" FNPT)  
 Liquid Inlet: 38 mm (1-1/2")  
 Liquid Outlet: 38 mm (1-1/2")

#### Wetted Material:

Alloy C: 45 kg (100 lbs)  
 Aluminum: 33 kg (72 lbs)  
 Stainless Steel: 43 kg (94 lbs)

#### Temperature Limits:

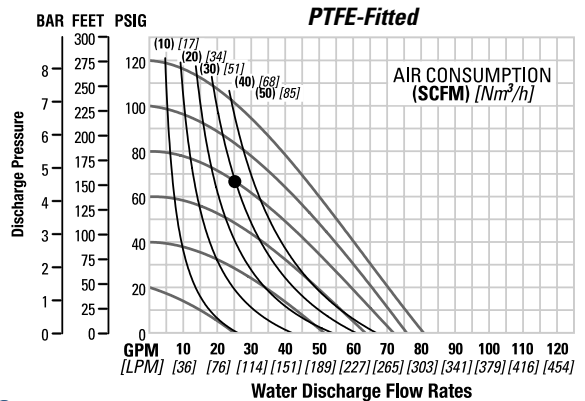
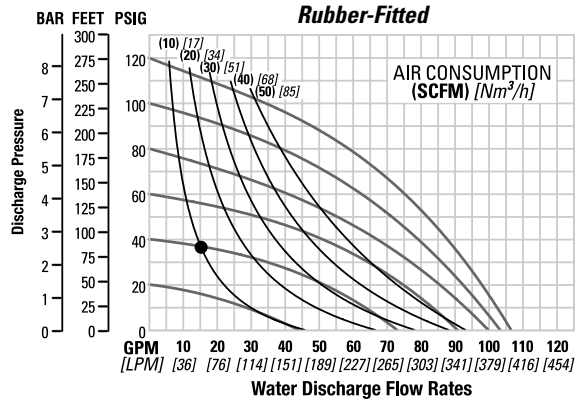
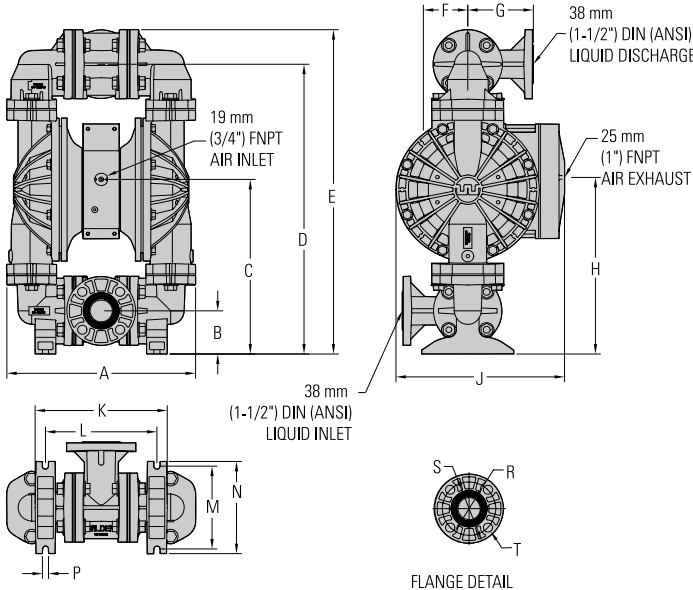
Nylon -17.8°C to 93.3°C 0°F to 200°F  
 Neoprene -17.8°C to 93.3°C 0°F to 200°F  
 Buna-N -12.2°C to 82.2°C 10°F to 180°F  
 Nordel® -51.1°C to 137.8°C -60°F to 280°F  
 Viton® -40°C to 176.7°C -40°F to 350°F  
 Wil-Flex™ -40°C to 107.2°C -40°F to 225°F  
 Polyurethane 12.2°C to 65.6°C 10°F to 150°F  
 Saniflex™ -28.9°C to 104.4°C -20°F to 220°F  
 PTFE -28.9°C to 148.9°C -20°F to 300°F

### PERFORMANCE

Max. Flow: Rubber/TPE 443 lpm (117 gpm)  
 PTFE 307 lpm (81 gpm)

Max. Pressure: 8.6 bar (125 psig)

Max. Solids Passage: 7.9 mm (5/16")  
 Max. Suction Lift (wet): Rubber/TPE 9.5 m (31.2')  
 PTFE 9.5 m (31.2')  
 (dry): Rubber/TPE 3.7 m (23.8')  
 PTFE 4.7 m (15.3')



ITEM	METRIC (mm)	STANDARD (inch)	ITEM	METRIC (mm)	STANDARD (inch)
A	343	13.5	K	284	11.2
B	79	3.1	L	241	9.5
C	323	12.7	M	152	6.0
D	531	20.9	N	170	6.7
E	594	23.4	P	10	0.4
F	122	4.8		DIN (mm)	ANSI (inch)
G	81	3.2	R	110 DIA.	3.9 DIA.
H	325	12.8	S	150 DIA.	5.0 DIA.
J	310	12.2	T	18 DIA.	0.6 DIA.