



S200 Series Centrifugal Pump

Models

S2045, S2065, S2065HV, S2065LV, S2075, S2085, S2085LV, S2092

Special Features

- Manufactured to ASME BPE specification criteria
- All product contact components machined from wrought, <5% ferrite level, 316L SS
- 20 Ra product contact surface finish
- Material heat numbers on all product contact components

Standard Features

- CIPable
- High Efficiency, low NPSHR design for a wide variety of applications
- One size mechanical seal used in all 200 Series models for reducing parts inventory and cost
- Integral impeller/shaft design for fewer parts, greater concentricity, easy maintenance, and less overhung load
- Close coupled pumps use NEMA JM Frame motors with larger diameter shafts and bearings compared to C Frame motors
- Impellers, casing, and backplate are machined from wrought 316L SS
- Cast iron Nedox® coated cast iron motor adaptors
- FDA approved fluoroelastomers
- Complete pump tested prior to shipment

Optional

- 15 Ra, electropolish, and passivation of product contact surface finishes
- WFI (Water For Injection) shaft seal design
- Double mechanical seals
- Commercial seal options
- Casing drain
- USP Class VI elastomers
- 304 SS motor adaptors
- Stainless steel motors
- SS Leg Kits
- Ra Mapping
- Certified and witness performance testing
- Frame mounted pumps
- Stainless steel bases and coupling guards

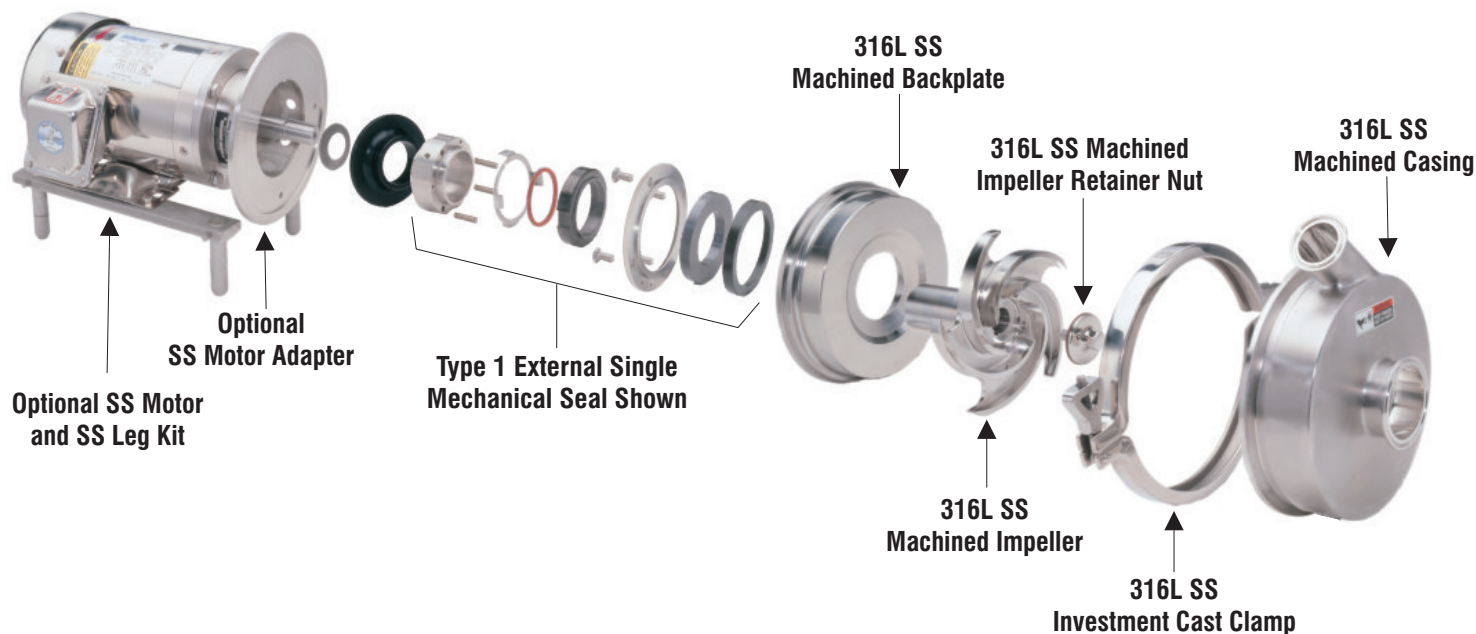


Close coupled Model S2065LV with optional SS Motor, Adapter and Leg Kit shown.



All Wet-end components are made from wrought 316SS, (UNS 31603) bar or flat stock with composition and manufacturing process controls that limit delta ferrite content to less than 5%.

S200 Exploded View



Pump Specifications

Model	Inlet Size inches (mm)		Outlet Size inches (mm)	Maximum Impeller Size inches (mm)	Maximum Capacity GPM (M3/HR)		Maximum Head Feet (Meters)	
					1750 RPM	3500 RPM	1750 RPM	3500 RPM
S2045	1.5 (40)	OR 2.0 (50)	1.5 (40)	4.5 (114)	97 (22)	190 (43)	22 (6)	88 (27)
S2065LV	1.5 (40)	THRU 2.5 (65)	1.5 (40)	6.5 (165)	100 (23)	195 (44)	44 (13)	192 (58)
S2065	2.5 (65)		2.0 (50)	6.5 (165)	245 (56)	450 (102)	47 (14)	195 (59)
S2065HV	3.0 (75)		2.0 (50)	6.5 (165)	230 (52)	500 (114)	44 (13)	180 (55)
S2075	3.0 (75)		1.5 (40)	8.7 (221)	125 (28)	300 (68)	79 (24)	320 (97)
S2085	3.0 (75)	OR 4.0 (100)	2.5 (65)	8.7 (221)	490 (111)	900 (204)	85 (26)	342 (104)
S2085LV	2.0 (50)		1.5 (40)	8.7 (221)	70 (16)	140 (32)	81 (24)	310 (94)
S2092	3.0 (75)		2.0 (50)	9.25 (235)	380 (86)	700 (159)	90 (27)	360 (110)