

VTC 3031/3021 Series

- Max. vacuum level : -93 kPa (-27.46 inHg)
- Max. flow rate : 341 NI/min (12.04 scfm)
- Supply air pressure : 3 ~ 6 bar, max 7 bar
(43.5~87 psi, max 101.5 psi)
- Air consumption : 97~152 NI/min (3.43~5.37 scfm)
- Supply air type : Dry compressed air
- Working temperature : -20°C to +80°C
- Noise level : 50~60 dBA



Main advantages

- Patented design.
- High operational reliability despite fluctuating or low compressed-air pressure.
- Integrated high dirt holding capacity pleated filter.
- VMECA Twofold Silencer^{PT} assures low noise levels.
- Optional Air-Saving(AS) kit available to minimize energy consumption.
- Optional factory installed Air control/Vacuum release valves and Vacuum switch available.
- Compact size and light weight.
- Easily mountable and interchangeable vacuum cartridge.

VTC 3031 - 2 - AS - A3 R3 - CL - S2 N V

① ② ③ ④ ⑤ ⑥ ⑦ ⑧ ⑨

① Model

- **VTC 3031(P)** - Three stage nozzle

※ Remark...(P)

↳ G3/8"Exhaust Port

② Filter element & Connection port

Material	Connection port
• 2 Polyester (PE)	BSP Thread(G)

③ Air saving kit (108)

- **AS** - Air saving kit

④ Voltage of air supply control valve

A1	- AC110V
A2	- AC220V
• A3	- DC24V
D1*	- AC110V
D2*	- AC220V
D3*	- DC24V

* D. : Double solenoid valve is available only with 'DN' or 'DL', section ⑥

⑤ Voltage of vacuum release control valve

R1	- AC110V
R2	- AC220V
• R3	- DC24V

⑥ Solenoid Terminal

DN	- DIN type without lead wire
DL	- DIN type with lamp without lead wire
• CL*	- Connector type with lamp & 0.3 m lead wire
2B*	- DIN type with '2 in 1' BUS cable (Air control v/v + Vacuum release v/v)
3B*	-

* Can not available with double solenoid valve

※ Remark

CL : Available only with DC24V

3B : Available only with DC24V

Available only with 'S2' or 'S2P', section ⑦

☞ About 'BUS cable' (340, 341)

⑦ Vacuum switch

- **S2(P)** - Digital display output 2points, No analog supply
M8-4Pin Connector type 0.3m lead wire.

SG2(P) - Digital display output 2 points, No analog supply
Grommet type 4-Core 2m lead wire.

SG3(P) - Digital display output 2 points, Analog supply
Grommet type 5-Core 2m lead wire.

※ Remark: ① S..(P)

↳ Output type :PNP open collector

② VCM8 42 : M8-4Pin connector wire.
Only for type S2 or S2(P).

⑧ Non-return valve

No mark	- Standard
• N	- Non-return valve.

⑨ Sealing

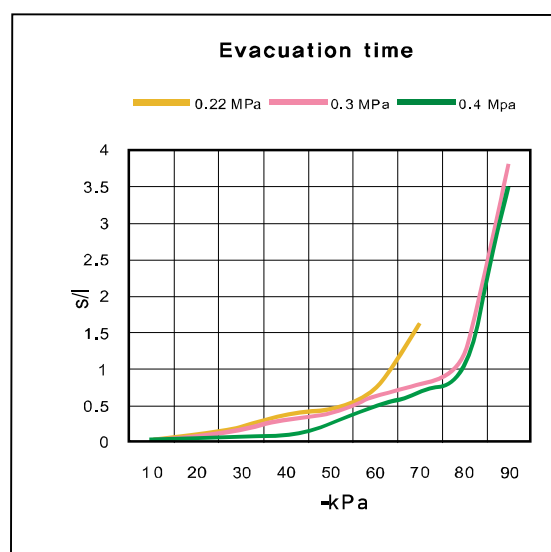
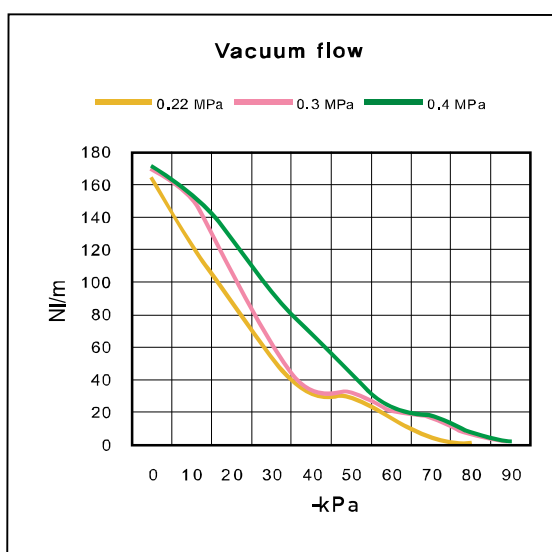
No mark	- Standard
• V	- Viton [®]
E	- EPDM

motralec

Model	MAX. Vacuum (-kPa)	Feed pressure (MPa)	Vacuum flow (NI/min) at different vacuum level -kPa(-mmHg)									
			0 (0)	10 (75)	20 (150)	30 (225)	40 (300)	50 (375)	60 (450)	70 (525)	80 (600)	90 (675)
VTC3021..	75	0.22	164	122.5	88	53	31.4	28.5	16.5	4.6	-	-
	93	0.3	170	152	106	64	33	32	22	16.5	6.4	1.9
	93	0.4	171	154	127.5	94	69	43	23.3	17.3	6.9	2.1
VTC3031..	75	0.22	302	122.5	88	53	31.4	28.5	16.5	4.6	-	-
	93	0.3	338	152	106	64	33	32	22	16.5	6.4	1.9
	93	0.4	341	154	127.5	94	69	43	23.3	17.3	6.9	2.1

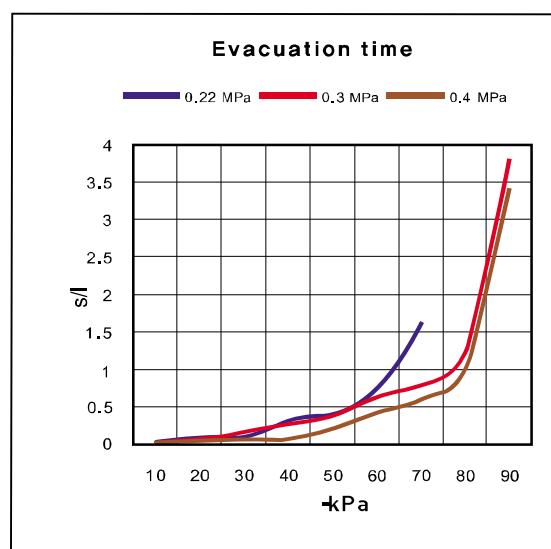
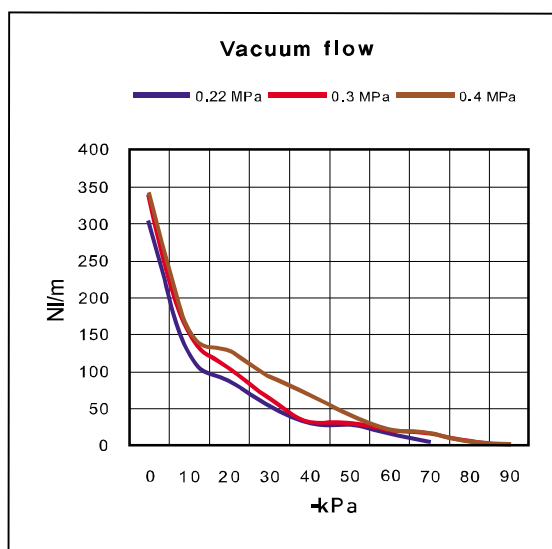
Model	Feed pressure (MPa)	Air consumption (NI/min)	Time, s/l, to evacuate a volume to different vacuum level -kPa (-mmHg)								
			10 (75)	20 (150)	30 (225)	40 (300)	50 (375)	60 (450)	70 (525)	80 (600)	90 (675)
VTC3021..	0.22	97	0.03	0.12	0.21	0.38	0.47	0.73	1.62	-	-
	0.3	118	0.027	0.1	0.19	0.3	0.4	0.64	0.8	1.2	3.8
	0.4	152	0.026	0.058	0.09	0.1	0.25	0.5	0.69	1.05	3.5
VTC3031..	0.22	97	0.019	0.09	0.1	0.32	0.42	0.73	1.62	-	-
	0.3	118	0.015	0.07	0.18	0.28	0.38	0.64	0.8	1.2	3.8
	0.4	152	0.01	0.048	0.07	0.09	0.2	0.42	0.6	1	3.4

▼ VTC-3021..



VACUUM PUMPS

▼ VTC-3031..



- Max. vacuum level : -75 kPa (-22.15 inHg)
- Max. flow rate : 362 NI/min (12.79 scfm)
- Supply air pressure : 4 ~ 6 bar, max 7 bar
(58~87 psi, max 101.5 psi)
- Air consumption : 70~104 NI/min (2.47~3.67 scfm)
- Supply air type : Dry compressed air
- Working temperature : -20°C to +80°C
- Noise level : 50~60 dBA




-
-
-
-
-
-
-
-

VTCL 3031 - 2 - AS - A3 R3 - CL - S2 N V

- ①
②
③
④
⑤
⑥
⑦
⑧
⑨

① Model

- **VTCL 3031(P)** - Three stage nozzle

※ Remark...(P)
 G3/8"Exhaust Port

② Filter element & Connection port

Material	Connection port
• 2 Polyester (PE)	BSP Thread(G)

③ Air saving kit 108

- **AS** - Air saving kit

④ Voltage of air supply control valve

- A1 - AC110V
- A2 - AC220V
- **A3** - DC24V
- D1* - AC110V
- D2* - AC220V
- D3* - DC24V

* D.. : Double solenoid valve is available only with 'DN' or 'DL', section ⑥

⑤ Voltage of vacuum release control valve



- R1 - AC110V
- R2 - AC220V
- **R3** - DC24V

⑥ Solenoid Terminal

- DN - DIN type without lead wire
- DL - DIN type with lamp without lead wire
- **CL*** - Connector type with lamp & 0.3 m lead wire
- 2B* - DIN type with '2 in 1' BUS cable
(Air control v/v + Vacuum release v/v)
- 3B* -

* Can not available with double solenoid valve

※ Remark
 CL : Available only with DC24V
 3B : Available only with DC24V
 Available only with 'S2' or 'S2P', section ⑦

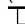
 About 'BUS cable' ( 340, 341)

⑦ Vacuum switch

- **S2(P)** - Digital display output 2points, No analog supply M8-4Pin Connector type 0.3m lead wire.

SG2(P) - Digital display output 2 points, No analog supply Grommet type 4-Core 2m lead wire.

SG3(P) - Digital display output 2 points, Analog supply Grommet type 5-Core 2m lead wire.

※ Remark: ① S..(P)
 Output type :PNP open collector

② VCM8 42 : M8-4Pin connector wire.
 Only for type S2 or S2(P).

⑧ Non-return valve

- | No mark | - | Standard |
|------------|---|-------------------|
| • N | - | Non-return valve. |

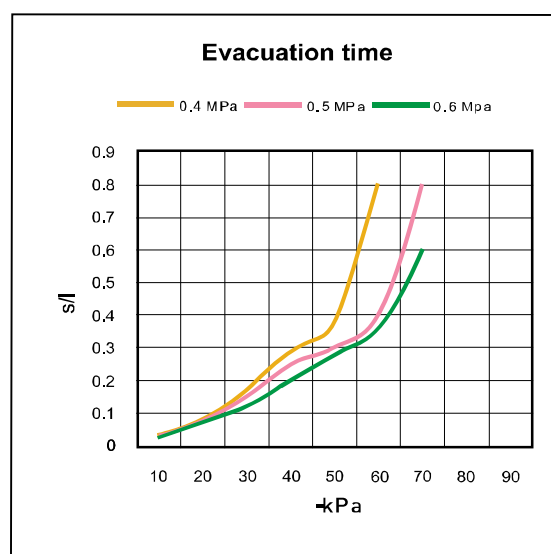
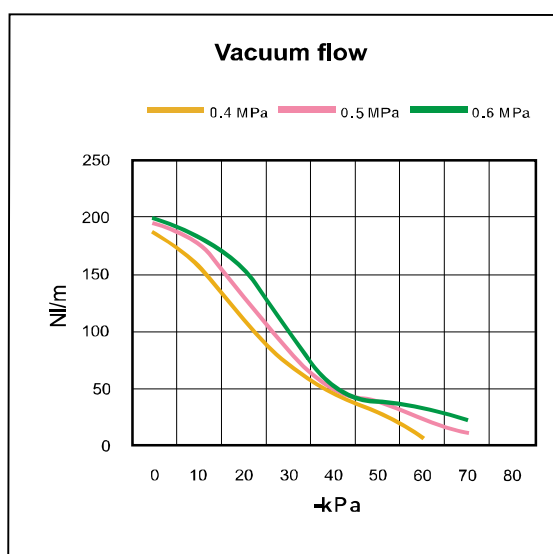
⑨ Sealing

- | No mark | - | Standard |
|------------|---|----------|
| • V | - | Viton® |
| E | - | EPDM |

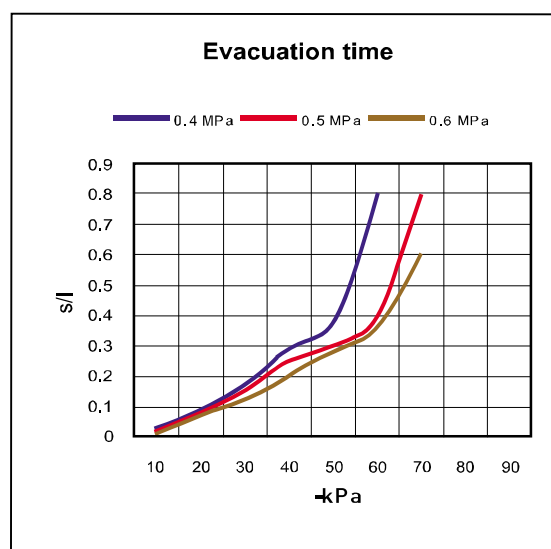
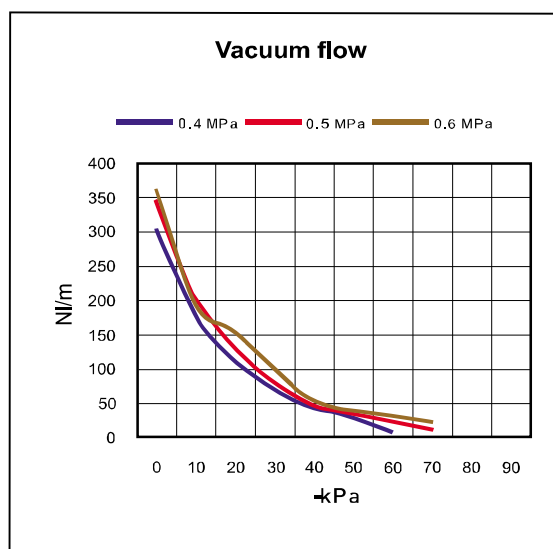
Model	MAX. Vacuum (-kPa)	Feed pressure (MPa)	-mmHg)									
			0 (0)	10 (75)	20 (150)	30 (225)	40 (300)	50 (375)	60 (450)	70 (525)	80 (600)	90 (675)
VTCL3021..	60	0.4	188	158	110	70	46	28	6.8	-	-	-
	70	0.5	195	176	130	82	50	37.5	23	11.3	-	-
	75	0.6	200	183	154	100	52	38	32	22	-	-
VTCL3031..	60	0.4	302	176	110	70	46	28	6.8	-	-	-
	70	0.5	344	200	130	82	50	37.5	23	11.3	-	-
	75	0.6	362	194	154	100	52	38	32	22	-	-

Model	Feed pressure (MPa)	Air consumption (NI/min)	-mmHg)									
			10 (75)	20 (150)	30 (225)	40 (300)	50 (375)	60 (450)	70 (525)	80 (600)	90 (675)	
VTCL3021..	0.4	70	0.035	0.084	0.17	0.29	0.38	0.8	-	-	-	
	0.5	85	0.027	0.08	0.15	0.25	0.3	0.4	0.8	-	-	
	0.6	104	0.028	0.08	0.12	0.2	0.28	0.36	0.6	-	-	
VTCL3031..	0.4	70	0.028	0.09	0.17	0.29	0.38	0.8	-	-	-	
	0.5	85	0.013	0.08	0.15	0.25	0.3	0.4	0.8	-	-	
	0.6	104	0.012	0.07	0.12	0.2	0.28	0.36	0.6	-	-	

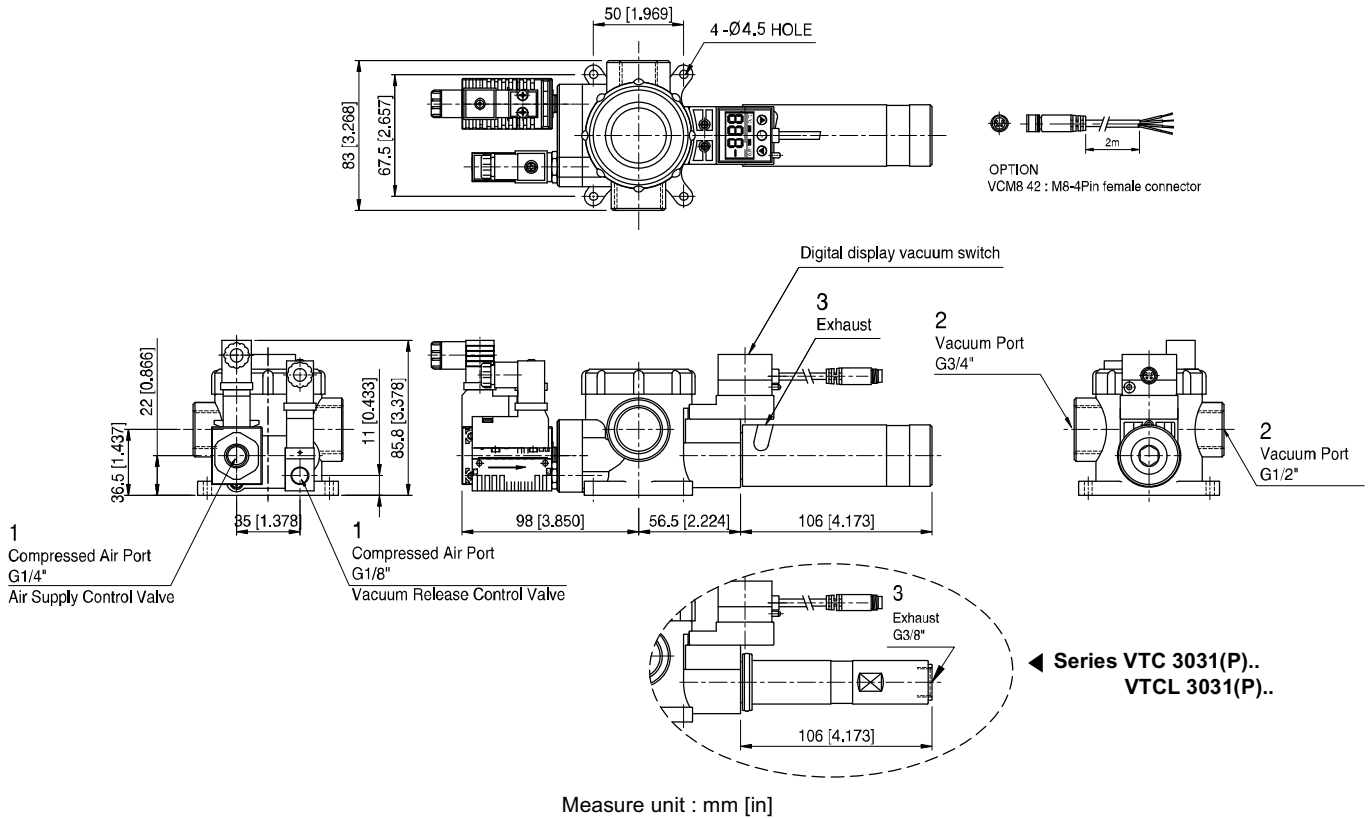
▼ VTCL-3021..



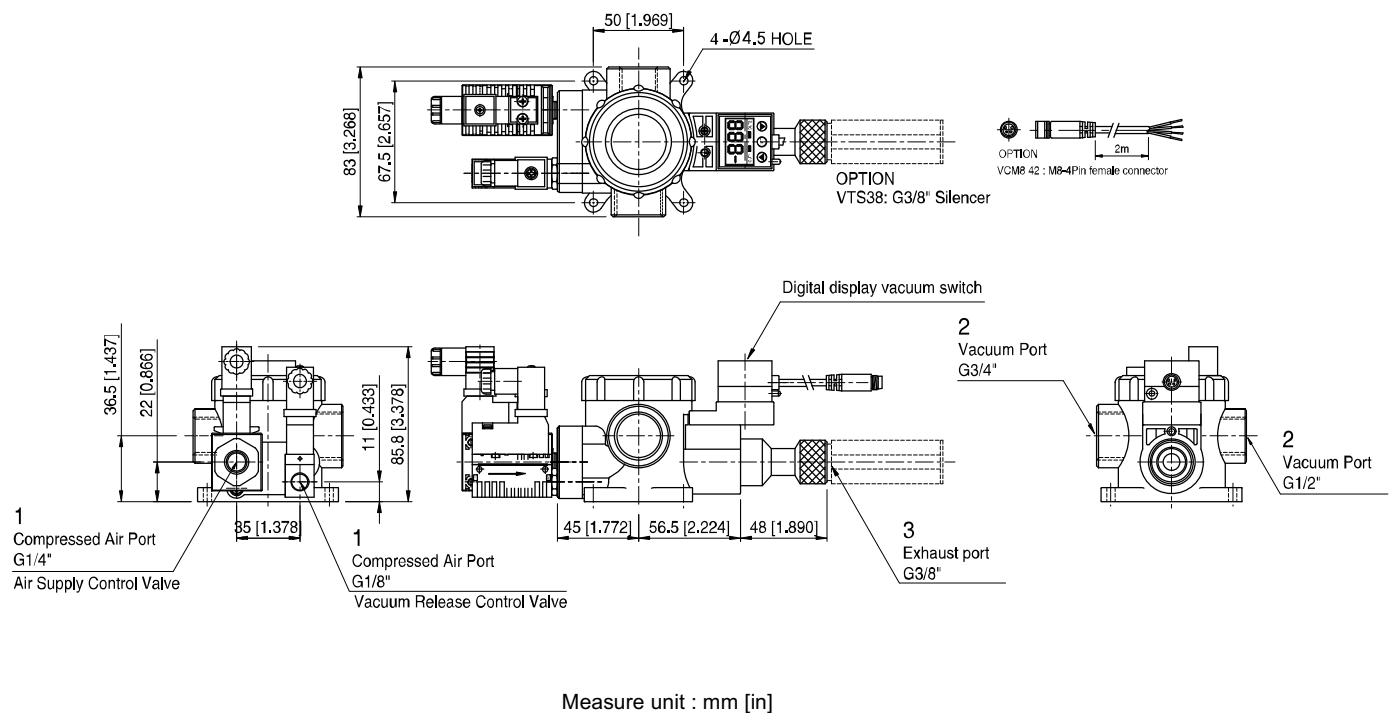
▼ VTCL-3031..



With Air Control valve, Vacuum Release Control valve and Digital Vacuum Switch Series VTC 3031.. / VTCL 3031..

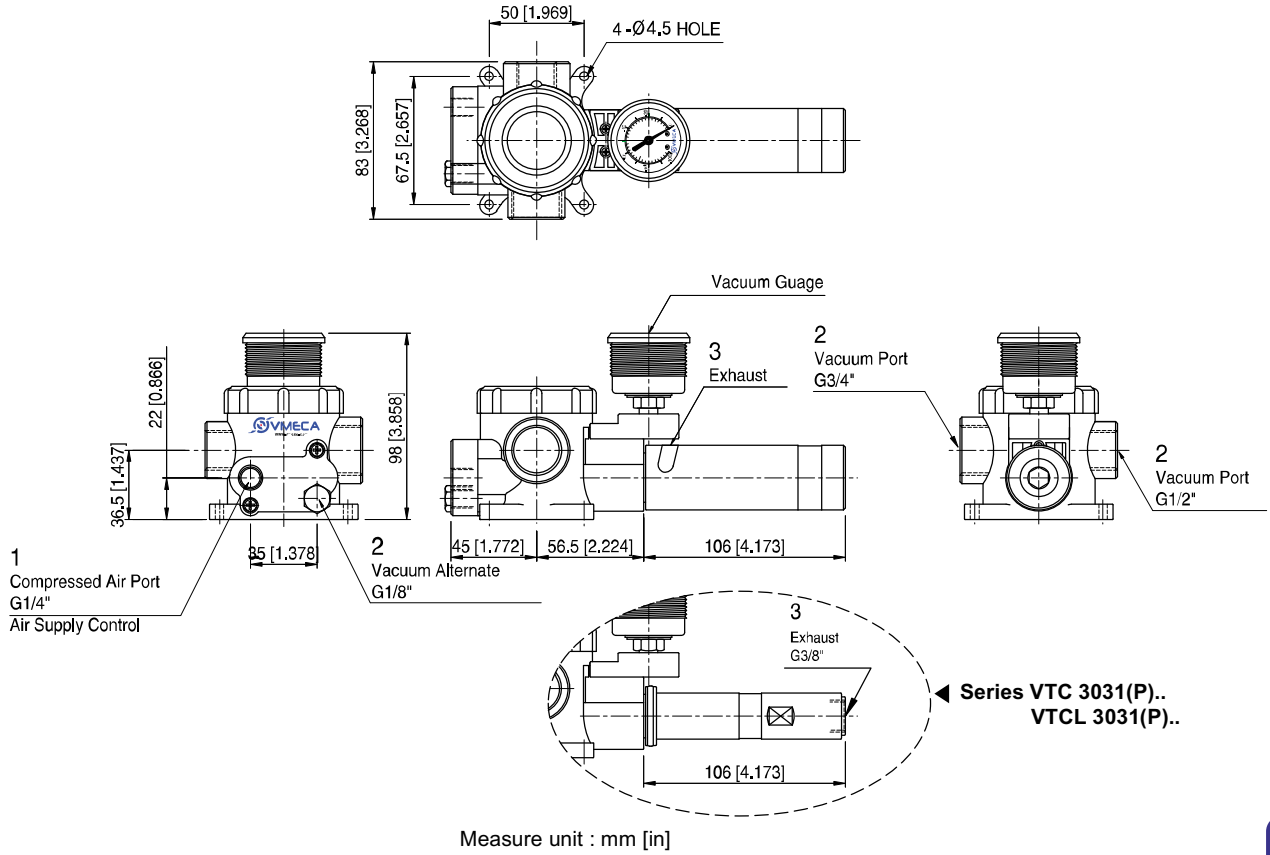


With Air Control valve, Vacuum Release Control valve and Digital Vacuum Switch Series VTC 3021.. / VTCL 3021..



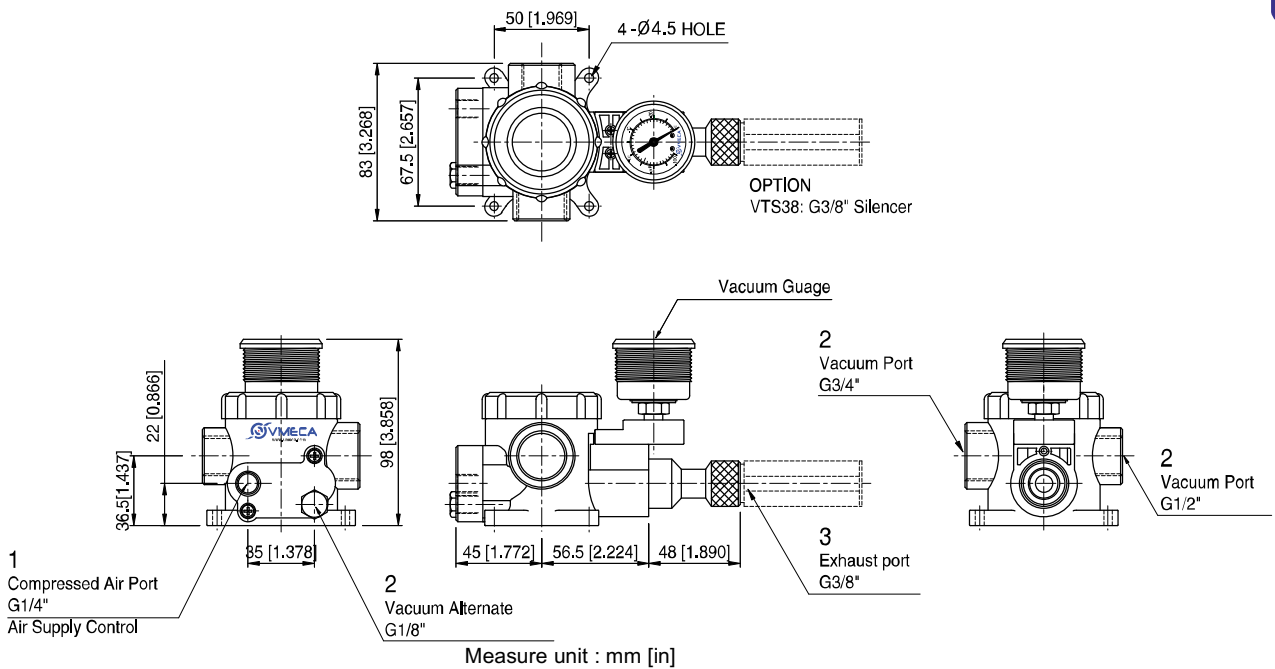
Standard

Series VTC 3031.. / VTCL 3031..



Standard

Series VTC 3021.. / VTCL 3021..



VTC 3032 / 3022 Series

- Max. vacuum level : -93 kPa (-27.46 inHg)
- Max. flow rate : 688 NI/min (24.3 scfm)
- Supply air pressure : 3 ~ 6 bar, max 7 bar
(43.5~87 psi, max 101.5 psi)
- Air consumption : 194~304 NI/min (6.85~10.74 scfm)
- Supply air type : Dry compressed air
- Working temperature : -20°C to +80°C
- Noise level : 50~60 dBA



Main advantages

- Patented design.
- High operational reliability despite fluctuating or low compressed-air pressure.
- Integrated high dirt holding capacity pleated filter.
- VMECA Twofold Silencer^{PT} assures low noise levels.
- Optional Air-Saving(AS) kit available to minimize energy consumption.
- Optional factory installed Air control/Vacuum release valves and Vacuum switch available.
- Compact size and light weight.
- Easily mountable and interchangeable vacuum cartridge.

VTC 3032 - 2 - AS - A3 R3 - CL - S2 N V

① ② ③ ④ ⑤ ⑥ ⑦ ⑧ ⑨

① Model

- **VTC 3032(P)** - Three stage nozzle

※ Remark...(P)

↳ G3/8"Exhaust Port

② Filter element & Connection port

Material	Connection port
• 2 Polyester (PE)	BSP Thread(G)

③ Air saving kit (108)

- **AS** - Air saving kit

④ Voltage of air supply control valve

- A1 - AC110V
- A2 - AC220V
- **A3** - DC24V
- D1* - AC110V
- D2* - AC220V
- D3* - DC24V

* D.. : Double solenoid valve is available only with 'DN' or 'DL', section ⑥

⑤ Voltage of vacuum release control valve

- R1 - AC110V
- R2 - AC220V
- **R3** - DC24V

⑥ Solenoid Terminal

- DN - DIN type without lead wire
- DL - DIN type with lamp without lead wire
- **CL*** - Connector type with lamp & 0.3 m lead wire
- 2B* - DIN type with '2 in 1' BUS cable
(Air control v/v + Vacuum release v/v)
- 3B* -

* Can not available with double solenoid valve

※ Remark

CL : Available only with DC24V

3B : Available only with DC24V

Available only with 'S2' or 'S2P', section ⑦

☞ About 'BUS cable' (340, 341)

⑦ Vacuum switch

- **S2(P)** - Digital display output 2points, No analog supply M8-4Pin Connector type 0.3m lead wire.

SG2(P) - Digital display output 2 points, No analog supply Grommet type 4-Core 2m lead wire.

SG3(P) - Digital display output 2 points, Analog supply Grommet type 5-Core 2m lead wire.

※ Remark: ① S...(P)

↳ Output type :PNP open collector

② VCM8 42 : M8-4Pin connector wire.
Only for type S2 or S2(P).

⑧ Non-return valve

- | No mark | - | Standard |
|------------|---|-------------------|
| • N | - | Non-return valve. |

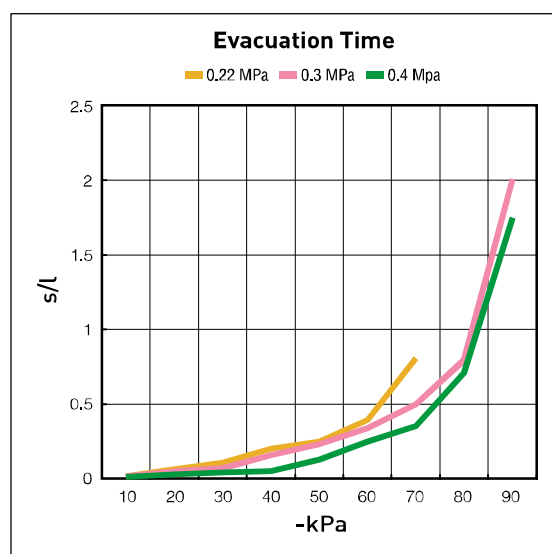
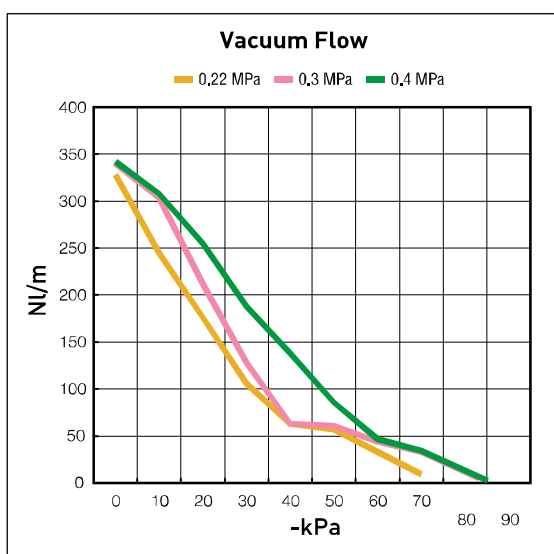
⑨ Sealing

- | No mark | - | Standard |
|------------|---|--------------------|
| • V | - | Viton [®] |
| E | - | EPDM |

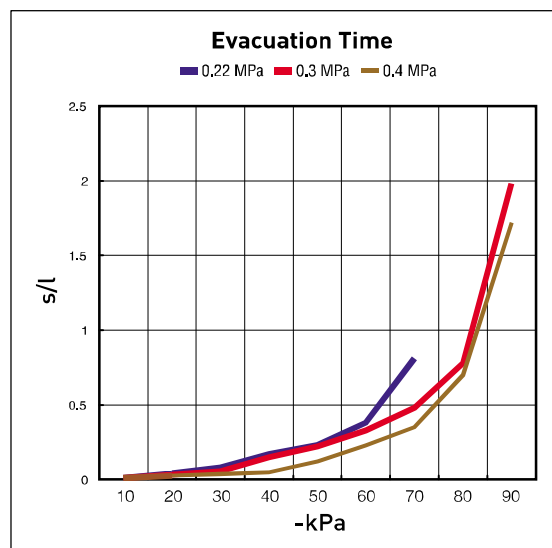
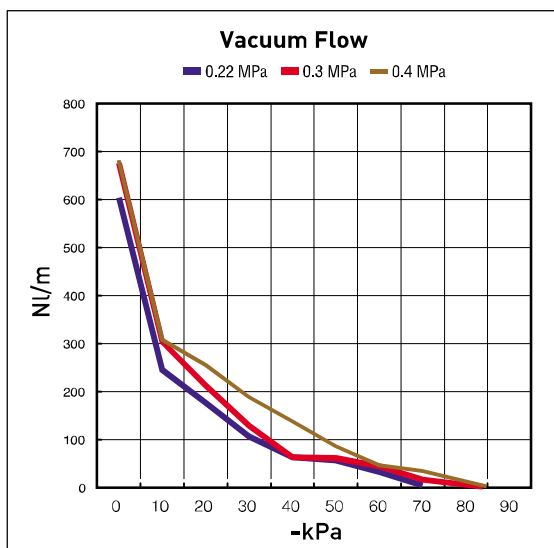
Model	MAX. Vacuum (-kPa)	Feed pressure (MPa)	Vacuum flow, NI/min, at different vacuum levels -kPa (-mmHg)									
			0 (0)	10 (75)	20 (150)	30 (225)	40 (300)	50 (375)	60 (450)	70 (525)	80 (600)	90 (675)
VTC3022..	75	0.22	328	245	176	106	62.8	57	33	9.2	-	-
	93	0.3	340	304	212	128	66	64	44	33	12.8	3.8
	93	0.4	342	308	255	188	138	86	46.6	34.6	13.8	4.2
VTC3032..	75	0.22	604	245	176	106	62.8	57	33	9.2	-	-
	93	0.3	676	304	212	128	66	64	44	33	12.8	3.8
	93	0.4	682	308	255	188	138	86	46.6	34.6	13.8	4.2

Model	Feed pressure (MPa)	Air consumption (NI/min)	Time, s/l, to evacuate a volume to different vacuum levels -kPa (-mmHg)									
			10 (75)	20 (150)	30 (225)	40 (300)	50 (375)	60 (450)	70 (525)	80 (600)	90 (675)	
VTC3022..	0.22	194	0.018	0.065	0.108	0.2	0.25	0.395	0.81	-	-	
	0.3	236	0.016	0.05	0.07	0.16	0.23	0.34	0.5	0.795	2.01	
	0.4	304	0.014	0.029	0.043	0.05	0.13	0.25	0.355	0.71	1.75	
VTC3032..	0.22	194	0.011	0.043	0.05	0.17	0.23	0.38	0.81	-	-	
	0.3	236	0.01	0.032	0.055	0.15	0.22	0.33	0.48	0.78	1.98	
	0.4	304	0.01	0.026	0.037	0.047	0.12	0.23	0.35	0.7	1.72	

▼ VTC-3022..



▼ VTC-3032..



- Max. vacuum level : -75 kPa (-22.15 inHg)
- Max. flow rate : 724 NI/min (25.57 scfm)
- Supply air pressure : 4 ~ 6 bar, max 7 bar
(58~87 psi, max 101.5 psi)
- Air consumption : 140~208 NI/min (4.94~7.35 scfm)
- Supply air type : Dry compressed air
- Working temperature : -20°C to +80°C
- Noise level : 50~60 dBA



-
-
-
-
-
-
-
-

VTCL 3032 - 2 - AS - A3 R3 - CL - S2 N V



① Model

- **VTCL 3032(P)** - Three stage nozzle
- ※ Remark...(P)
└─ G3/8"Exhaust Port

② Filter element & Connection port

Material	Connection port
• 2 Polyester (PE)	BSP Thread(G)

③ Air saving kit 108

- **AS** - Air saving kit

④ Voltage of air supply control valve

- A1 - AC110V
- A2 - AC220V
- **A3** - DC24V
- D1* - AC110V
- D2* - AC220V
- D3* - DC24V

* D.. : Double solenoid valve is available only with 'DN' or 'DL', section ⑥

⑤ Voltage of vacuum release control valve

- R1 - AC110V
- R2 - AC220V
- **R3** - DC24V

⑥ Solenoid Terminal

- DN - DIN type without lead wire
- DL - DIN type with lamp without lead wire
- **CL*** - Connector type with lamp & 0.3 m lead wire
- 2B* - DIN type with '2 in 1' BUS cable
(Air control v/v + Vacuum release v/v)
- 3B* -

* Can not available with double solenoid valve

※ Remark
CL : Available only with DC24V
3B : Available only with DC24V
Available only with 'S2' or 'S2P', section ⑦

☞ About 'BUS cable'  340, 341

⑦ Vacuum switch

- **S2(P)** - Digital display output 2points, No analog supply M8-4Pin Connector type 0.3m lead wire.
- SG2(P) - Digital display output 2 points, No analog supply Grommet type 4-Core 2m lead wire.
- SG3(P) - Digital display output 2 points, Analog supply Grommet type 5-Core 2m lead wire.

※ Remark: ① S..(P)
└─ Output type :PNP open collector

② VCM8 42 : M8-4Pin connector wire.
Only for type S2 or S2(P).

⑧ Non-return valve

- | No mark | - | Standard |
|------------|---|-------------------|
| • N | - | Non-return valve. |

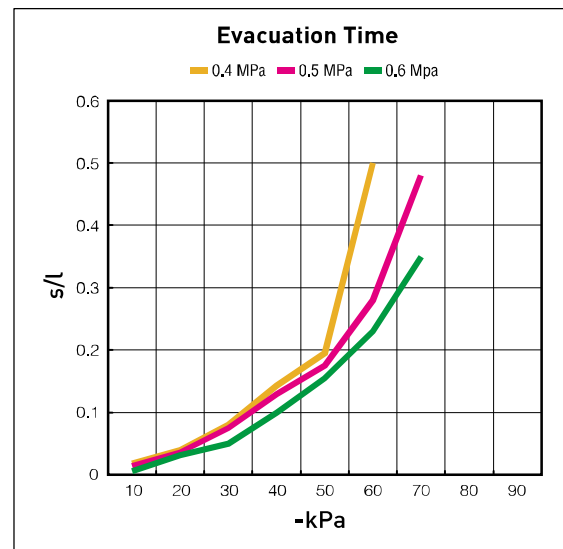
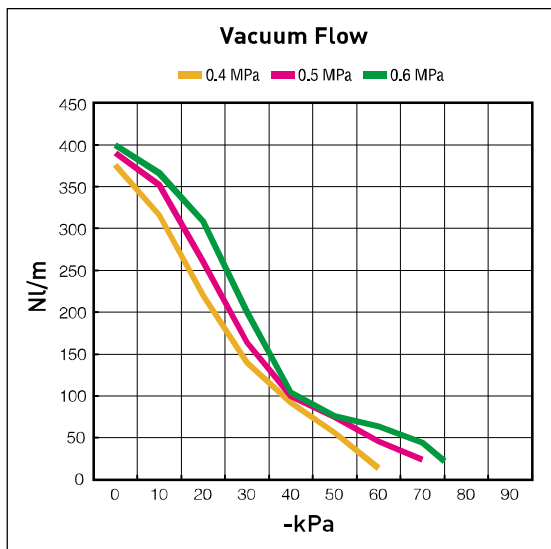
⑨ Sealing

- | No mark | - | Standard |
|------------|---|----------|
| • V | - | Viton® |
| E | - | EPDM |

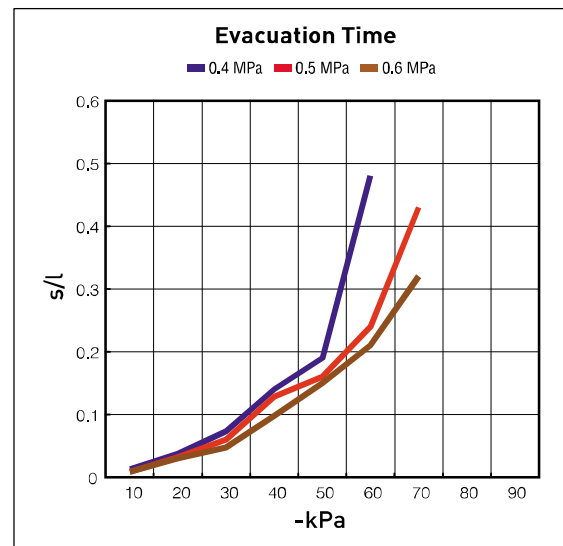
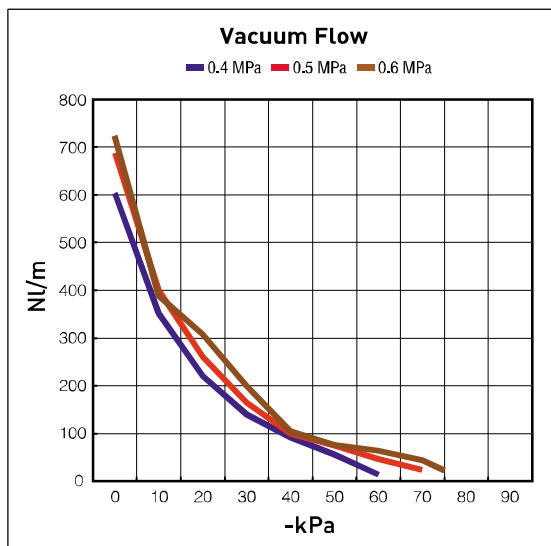
Model	MAX. Vacuum (-kPa)	Feed pressure (MPa)	Vacuum flow, NI/min, at different vacuum levels -kPa (-mmHg)									
			0 (0)	10 (75)	20 (150)	30 (225)	40 (300)	50 (375)	60 (450)	70 (525)	80 (600)	90 (675)
VTCL3022..	60	0.4	376	316	220	140	92	56	13.6	-	-	-
	70	0.5	390	352	260	164	100	75	46	23.8	-	-
	75	0.6	400	366	308	200	104	76	64	44	-	-
VTCL3032..	60	0.4	604	352	220	140	92	56	13.6	-	-	-
	70	0.5	688	392	260	164	100	75	46	23.8	-	-
	75	0.6	724	415	308	200	104	76	64	44	-	-

Model	Feed pressure (MPa)	Air consumption (NI/min)	Time, s/l, to evacuate a volume to different vacuum levels -kPa (-mmHg)								
			10 (75)	20 (150)	30 (225)	40 (300)	50 (375)	60 (450)	70 (525)	80 (600)	90 (675)
VTCL3022	0.4	140	0.018	0.04	0.08	0.145	0.195	0.5	-	-	-
	0.5	170	0.014	0.036	0.075	0.125	0.15	0.2	0.4	-	-
	0.6	208	0.013	0.032	0.06	0.1	0.155	0.18	0.35	-	-
VTCL3032	0.4	140	0.013	0.037	0.073	0.14	0.19	0.45	-	-	-
	0.5	170	0.009	0.032	0.06	0.128	0.16	0.25	0.43	-	-
	0.6	208	0.006	0.03	0.047	0.098	0.15	0.2	0.32	-	-

▼ VTCL-3022..



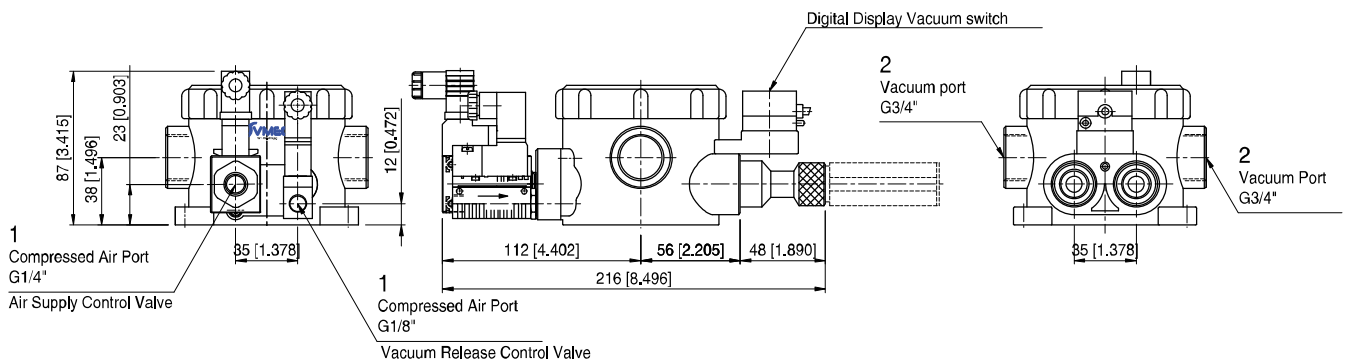
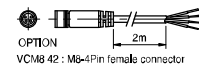
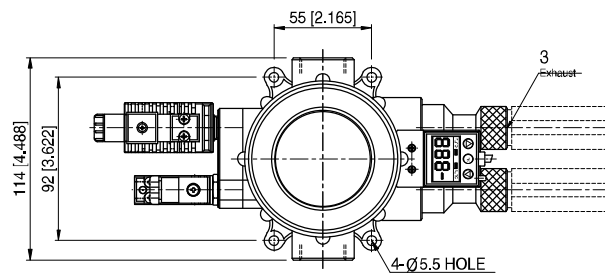
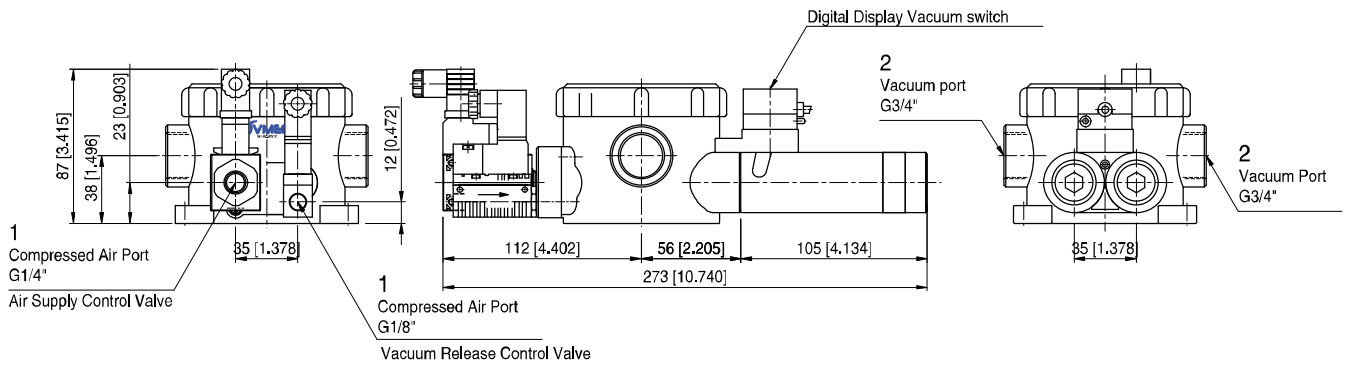
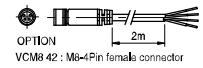
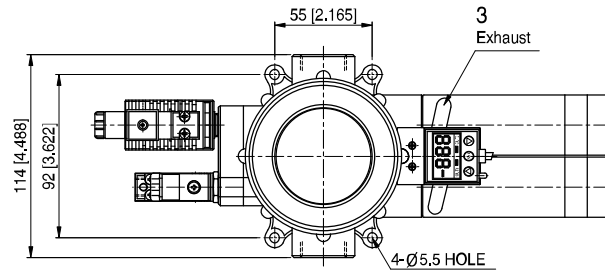
▼ VTCL-3032..



VACUUM PUMP

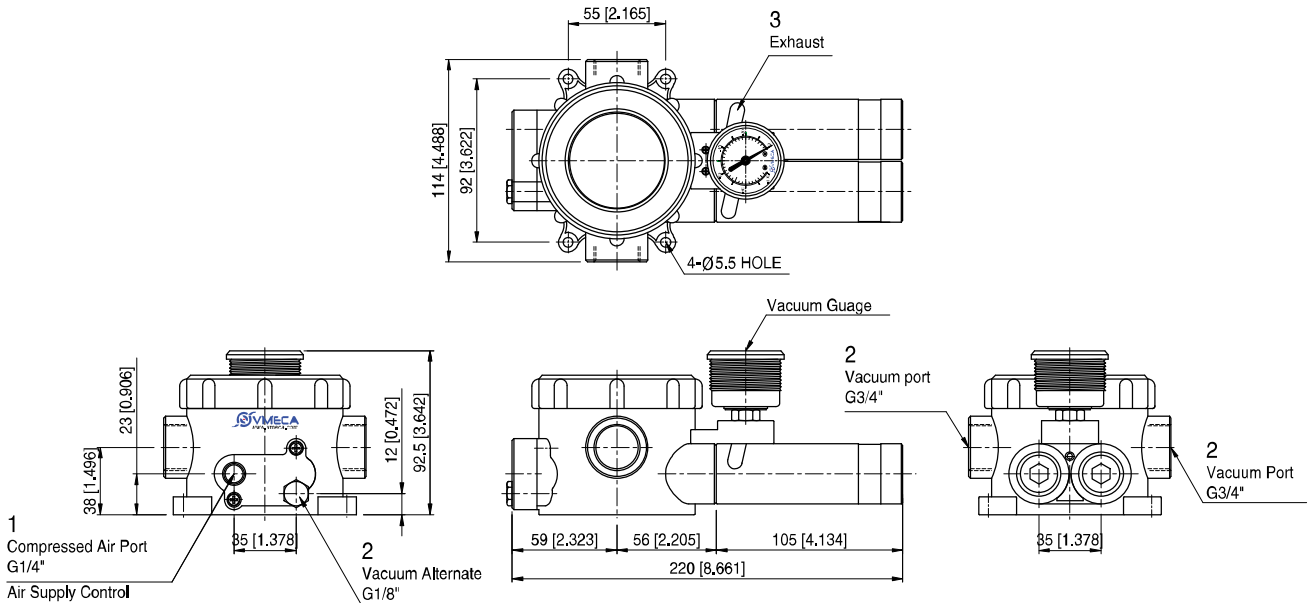


Midi Turtle Pump

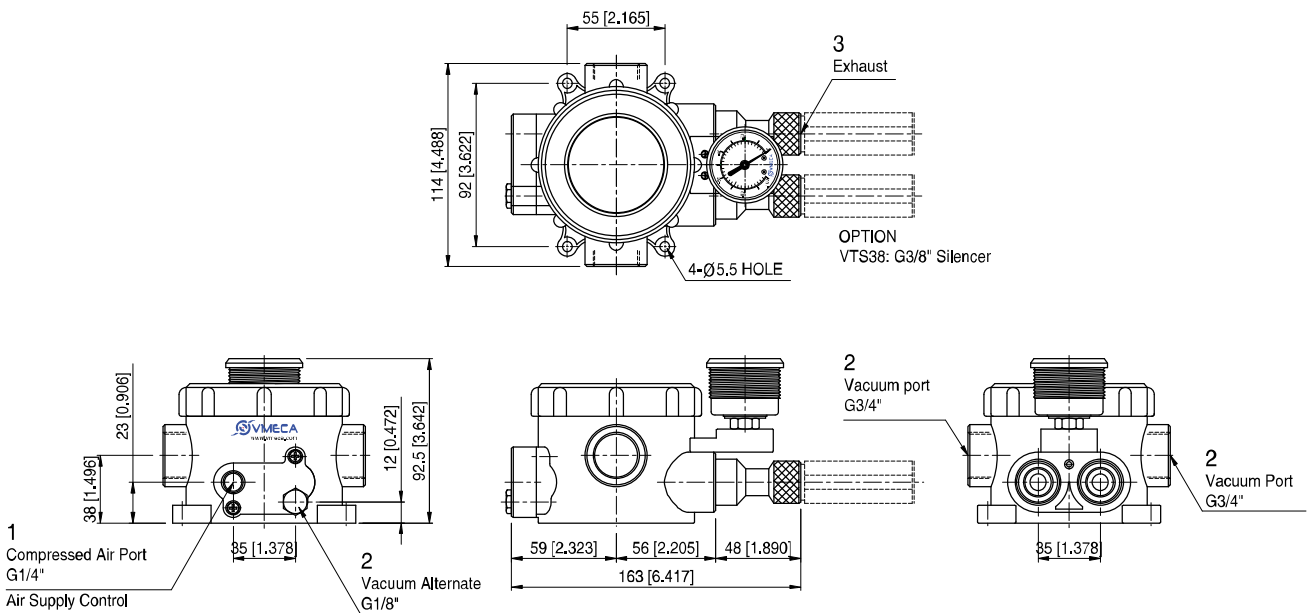


Measure unit : mm [in]

VTC 3032.. / VTCL 3032..



Measure unit : mm [in]



Measure unit : mm [in]