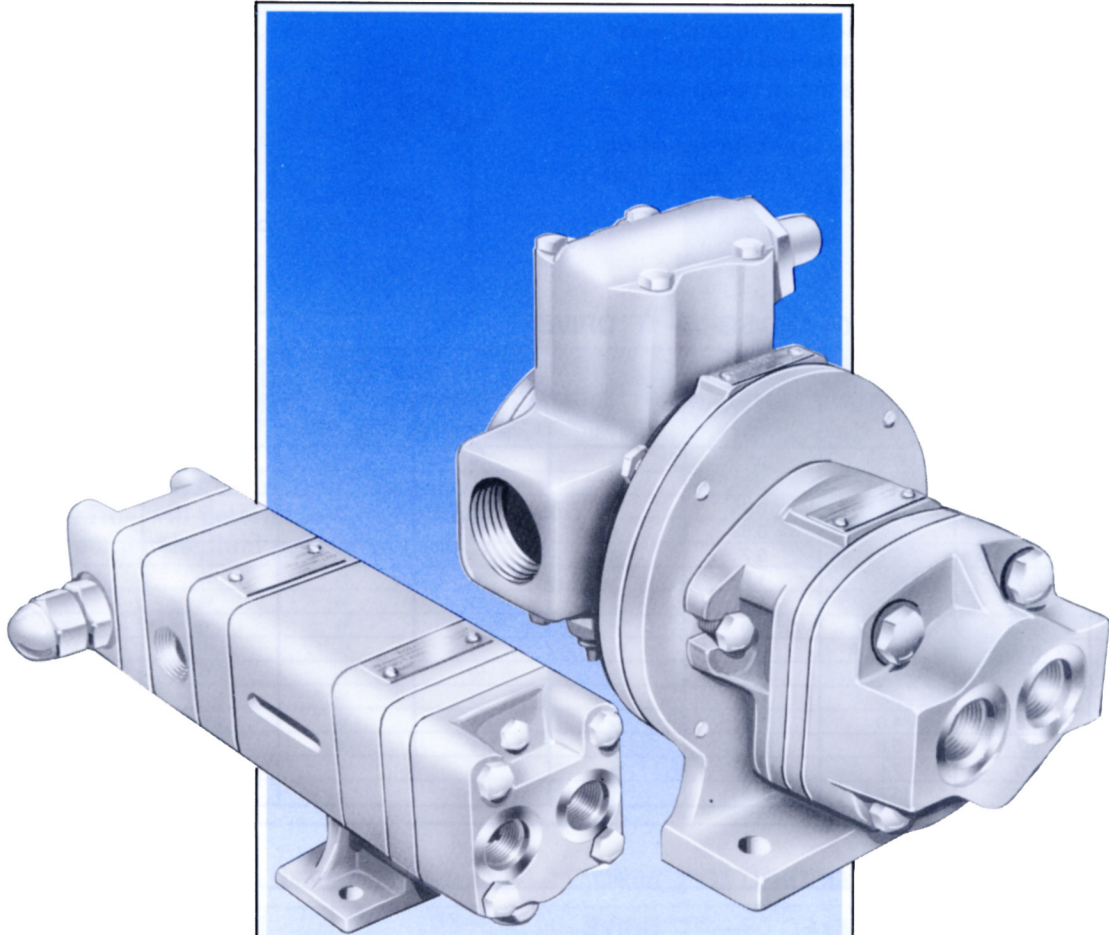
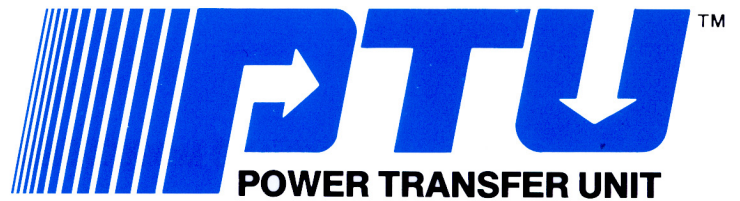


VIKING



FLOW RATES FROM .04 TO 30 GPM

Viking power transfer units are composed of matched positive displacement fluid transfer pumps and fluid power motors. They can be either modular design as shown in this brochure or integral design for OEM applications.

Series SG-04 and SG-05-“T” drives utilize external (spur) gear design pumps and motors while the Series 75 and 475 is made up of an internal gear pump and an external (spur) gear motor. Both series are mounted to common foot brackets.

Viking PTU's have proven to be excellent solutions for mobile fluid transfer applications. Also for remote, limited space and/or hazardous locations.

NOTE: The information contained in this brochure is for reference and/or preliminary sizing purposes only. Please contact your Authorized Viking Distributor or sales representative with specific application data.

motralec

4 rue Lavoisier . ZA Lavoisier . 95223 HERBLAY CEDEX

Tel. : 01.39.97.65.10 / Fax. : 01.39.97.68.48

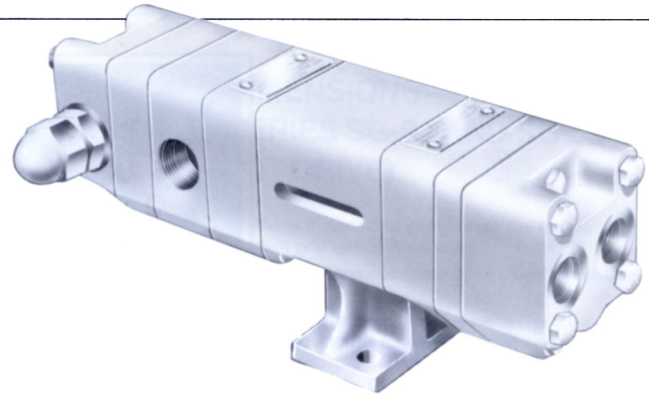
Demande de prix / e-mail : service-commercial@motralec.com

www.motralec.com

INNOVATION. QUALITY. SERVICE.

VIKING PUMP

PUMP AND MOTOR SELECTION (“T” DRIVE)



For the Series SG-04 and SG-05-“T” drive unit, select pump size based on desired flow and speed (RPM). Then determine required horsepower based on pump operating pressure.

Refer to motor chart and make selection based on required horsepower, available hydraulic fluid flow rate and desired speed (RPM).

PUMP SELECTION - SERIES SG-04 AND SG-05 - “T” DRIVE

Pump Size	Nominal Capacity At Rated Speed (100 SSU)			Required Horsepower At Rated Pressure (100 SSU)					
	1150 RPM	1750 RPM	3450 RPM	1150 RPM		1750 RPM		3450 RPM	
				100 PSI	500 PSI	100 PSI	500 PSI	100 PSI	500 PSI
SG-0417	0.04	0.06	0.12	1/8	1/8	1/8	1/4	1/4	1/2
SG-0418	0.09	0.14	0.27	1/8	1/4	1/8	1/3	1/4	1/2
SG-0425	0.12	0.18	0.36	1/8	1/4	1/6	1/3	1/3	3/4
SG-0435	0.17	0.27	0.52	1/6	1/4	1/6	1/2	1/2	3/4
SG-0450	0.24	0.36	0.7	1/6	1/3	1/4	1/2	1/2	1
SG-0470	0.34	0.50	1.0	1/4	1/3	1/4	1/2	3/4	1
SG-0518	0.47	0.7	1.4	1/8	1/4	1/8	1/3	1/4	3/4
SG-0525	0.66	1.0	2.0	1/8	1/3	1/8	1/2	1/3	1
SG-0535	0.9	1.4	2.8	1/8	1/3	1/4	3/4	1/2	1 1/2
SG-0550	1.3	2.0	4.0	1/8	1/2	1/4	3/4	1/2	2
SG-0570	1.8	2.8	5.6	1/6	3/4	1/4	1	3/4	3
SG-0510	2.6	4.0	8.0	1/4	1	1/2	1 1/2	1	4
SG-0514	3.7	5.6	11.2	1/4	1 1/2	1/2	2	1 1/2	5
SG-0519	5.0	7.6	15.2	1/2	①1 1/2	3/4	①2	1 1/2	①5
SG-0528	7.3	11.2	22.4	1/2	②1	1	②1 1/2	2	②4

- ① Maximum 400 (PSI) Differential Pressure
- ② Maximum 200 (PSI) Differential Pressure

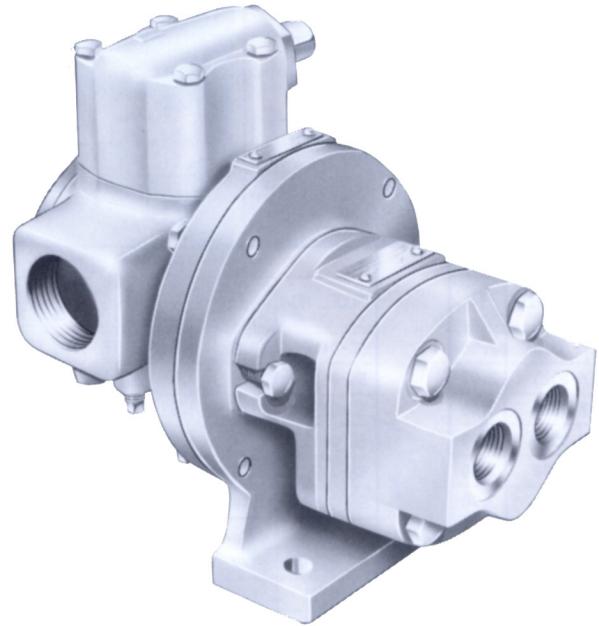
MOTOR SELECTION — SG-04 AND SG-05 — “T” DRIVE

Motor Size	Nominal Motor		Differential Pressure Required (PSI)								
	Capacity GPM	Speed RPM	Motor HP								
			1/4	1/3	1/2	3/4	1	1 1/2	2	3	5
FM-0518	1.4	3450	650	825	1250	1850	2400	—	—	—	—
	.7	1750	1050	1450	2100	—	—	—	—	—	—
	.5	1150	1600	2250	—	—	—	—	—	—	—
FM-0525	2.0	3450	450	525	650	850	1050	1450	1850	2800	—
	1.0	1750	550	700	975	1400	1800	2650	—	—	—
	.7	1150	750	950	1375	2050	2750	—	—	—	—
FM-0535	2.8	3450	350	400	500	650	800	1100	1400	2000	—
	1.4	1750	425	500	700	1000	1300	1900	2500	—	—
	.9	1150	550	700	1000	1475	1950	2850	—	—	—
FM-0550	4.0	3450	300	350	425	525	625	825	1050	1450	2300
	2.0	1750	350	425	550	750	950	1325	1725	2600	—
	1.3	1150	400	500	725	1050	1375	2000	2700	—	—
FM-0570	5.6	3450	225	250	300	375	450	600	725	1000	1600
	2.8	1750	250	300	375	500	650	950	1200	1800	—
	1.8	1150	300	375	500	725	950	1375	1800	—	—
FM-0510	8.0	3450	175	200	250	300	350	450	550	750	1150
	4.0	1750	200	225	300	375	475	675	875	1275	—
	2.6	1150	225	275	350	500	625	975	1250	—	—
FM-0514	11.2	3450	160	175	200	240	275	350	430	590	875
	5.6	1750	160	185	225	300	370	510	650	940	—
	3.7	1150	175	210	280	400	500	725	950	—	—

Note: The above information is based on 200 SSU hydraulic oil.

PUMP AND MOTOR SELECTION (“T” DRIVE)

Over-pressure relief valves are standard on the pumps used for PTU units. Their purpose is to protect the system and component parts from excessive pressure build up. By design they were never intended for use as (system) pressure control valves. Pumps can be supplied without relief valves.



One fluid power motor model (FM-0741) is used on the Series 75 and 475-“T” Drive power transfer units as standard. (Note: Other size fluid power motors are available if required.)
Select pump size based on desired flow rate and operating pressure. This will determine the required pressure and flow rate for the fluid power (hydraulic) motor.

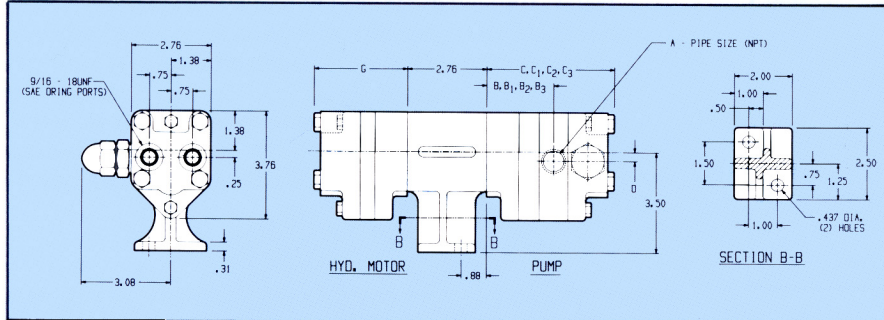
PUMP AND MOTOR SELECTION — SERIES 75 AND 475 — “T” DRIVE (“G” THROUGH “HL” SIZES)

Pump Size	Pump Discharge Pressure PSIG	1150 RPM				1750 RPM		
		Nominal Pump Capacity GPM	Hydraulic Motor		Nominal Pump Capacity GPM	Hydraulic Motor		
			Differential Pressure Required PSI	Nominal Flow Required GPM		Differential Pressure Required PSI	Nominal Flow Required GPM	
G-75 AND G-475	25	5	250	2.8	7	275	4.2	
	50		325	2.9		350	4.2	
	75		425	2.9		450	4.2	
	100		550	3.0		575	4.2	
GG-75 AND GG-475	25	7	275	2.8	10	275	4.2	
	50		375	2.9		375	4.2	
	75		475	3.0		500	4.2	
	100		600	3.0		625	4.2	
H-75 AND H-475	25	10	300	2.8	15	300	4.2	
	50		475	3.0		500	4.2	
	75		700	3.0		700	4.2	
	100		825	3.0		900	4.3	
HJ-75 AND HJ-475	25	13	475	3.0	20	500	4.2	
	50		700	3.0		725	4.3	
	75		900	3.0		950	4.3	
	100		1200	3.1		1225	4.4	
HL-75 AND HL-475	25	20	500	3.0	30	550	4.2	
	50		750	3.0		775	4.3	
	75		1100	3.0		1150	4.3	
	100		1350	3.2		1400	4.5	

Note: The above information is based on 200 SSU hydraulic oil.

DIMENSIONS

These dimensions are average and not for construction purposes, certified prints on request.



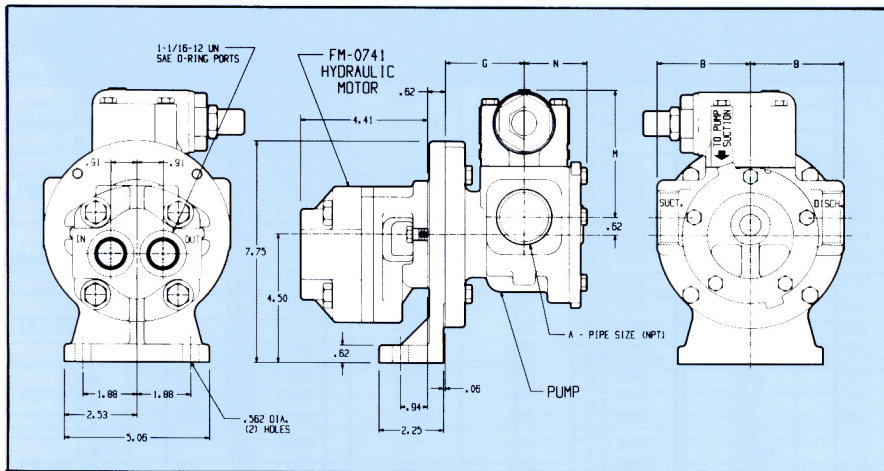
**DIMENSIONS —
SERIES SG-04 AND SG-05
("T" DRIVE)**

- ① These dimensions apply when the mechanical shaft seal option is selected.
- ② These dimensions apply when the relief valve is deleted.
- ③ These dimensions apply when the relief valve is deleted and the mechanical shaft seal option is selected.
- ④ These models have the ports in the casing.

HYD. MOTOR		PUMP										
MODEL NO.	G	MODEL NO.	A	B	B ₁ ^①	B ₂ ^②	B ₃ ^③	C	C ₁ ^①	C ₂ ^②	C ₃ ^③	D
FM-0518	2.88	SG-0417	3/8	1.80	2.68	1.99	2.87	3.88	4.76	2.88	3.76	.31
FM-0525	2.95	SG-0418	3/8	1.80	2.68	1.99	2.87	3.88	4.76	2.88	3.76	.31
FM-0535	3.05	SG-0425	3/8	1.87	2.75	2.06	2.94	3.95	4.83	2.95	3.83	.31
FM-0550	3.20	SG-0435	3/8	1.97	2.85	2.16	3.04	4.05	4.93	3.05	3.93	.31
FM-0570	3.40	SG-0450	3/8	2.12	3.00	2.31	3.19	4.20	5.08	3.20	4.08	.31
FM-0510	3.70	SG-0470	3/8	2.32	3.20	2.51	3.39	4.40	5.28	3.40	4.28	.31
FM-0514	4.10	SG-0518	1/2	1.80	2.68	1.99	2.87	3.88	4.76	2.88	3.76	.31
		SG-0525	1/2	1.87	2.75	2.06	2.94	3.95	4.83	2.95	3.83	.31
		SG-0535	1/2	1.97	2.85	2.16	3.04	4.05	4.93	3.05	3.93	.31
		SG-0550	1/2	2.12	3.00	2.31	3.19	4.20	5.08	3.20	4.08	.31
		SG-0570	1/2	2.32	3.20	2.51	3.39	4.40	5.28	3.40	4.28	.31
		SG-0510 ^④	1/2	1.62	2.50	1.62	2.50	4.70	5.58	3.70	4.58	.31
		SG-0514 ^④	3/4	1.82	2.70	1.82	2.70	5.10	5.98	4.10	4.98	.19
		SG-0519 ^④	3/4	2.07	2.95	2.07	2.95	5.60	6.48	4.60	5.48	.19
		SG-0528 ^④	3/4	1.82	2.70	1.82	2.70	6.50	7.38	5.50	6.38	.19

motralec
4 rue Lavoisier . ZA Lavoisier . 95223 HERBLAY CEDEX
Tel. : 01.39.97.65.10 / Fax. : 01.39.97.68.48
Demande de prix / e-mail : service-commercial@motralec.com
www.motralec.com

Standard rotation for pumps is clockwise viewed from shaft end of pump. Counter-clockwise rotation available as option.



**DIMENSIONS
SERIES 75 AND 475
("T" DRIVE)
"G" THROUGH "HL" SIZE PUMPS**

MODEL NO.		PUMP				
MECH. SEAL	LIP SEAL	A	B	G	M	N
G-475 OR GG-475	G-75 OR GG-75	1	2.50	2.81	3.56	1.56
H-475 HJ-475 HL-475	H-75 HJ-75 HL-75	1-1/2	3.25	2.75	4.44	2.19

For specific application assistance contact your local Viking Authorized Distributor or Sales Office.

INNOVATION. QUALITY. SERVICE.

Copyright - 1987
All Rights Reserved
10M 4-90 WPC