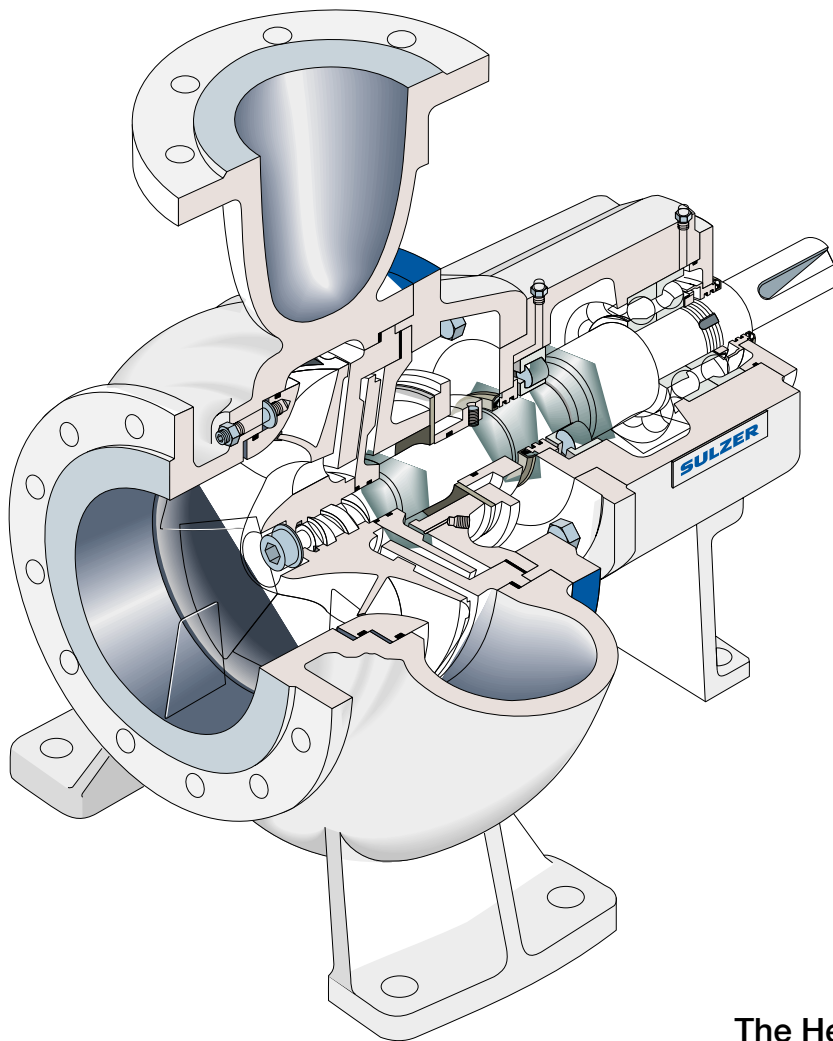


SULZER

Sulzer Pumps

AHLSTAR™ Process Pumps



The Heart of Your Process

motralec

4 rue Lavoisier . ZA Lavoisier . 95223 HERBLAY CEDEX

Tel. : 01.39.97.65.10 / Fax. : 01.39.97.68.48

Demande de prix / e-mail : service-commercial@motralec.com

www.motralec.com

Sulzer Pumps

Oqhvan Lqilo eo ha ejc chk h
 lhean kb nahe ha lnk q po j ej
 pera lqilejc okhqpekjo bkn aj qoano
 qn pera naoa n d j arahk
 ap eha lnk aoo j llhe pe
 gjksha ca pkcapdan sepd kilnada
 oera qj anop j ejc kb i ngap ai
 gaalo qo kjoeopajphu p pda ha e
 a ca kb pa dje h arahk liajp
 chk h japskng kb ik anji jqb) p
 ejc j l g cejc b ehepeao pko
 sepd o hao kb ao(oanre a ajpa
 nalnaoajp perao hk pa hkaoa pk
 i ngapo lnkre a b op naolkjoao pk
 qopkian jaa o



Oqhvan Lqilo d o hkjc deopknu kb
 lnkre ejc ejjkr pera lqilejc okhqpekjo
 pk qoejaoo l npjano ej pda bkhhksejc
 ej qopneao

- eh j C o
- Du nk n kj lnk aooejc
- Lqhl j L lan
- Lksan Cajan pekj
- Cajan h Ej qopnu
- daie h lnk aoo Ej qopnu
- S pan j S opas pan

A Reputation for Excellence

Oqhvan Lqilo d o a nja epo nalqo pek qcd d rejc qn ksj bkqj neao(sa-4 - anpe a A d j aranu lqil
 bkn lnkre ejc r j a lqilejc okhq) na ha pk ajoqna klpeiqi lqil i) eo necknkqohu paopa abkna odeliajp(
 pekjo pd piaap pda nepe h ai pane kb oaha pekj bkn a dl npe qn mac l)n haoo kb sdana ej pda sknh
 kqn qopkiano j qoejaoo l npjanke pekj qn-0 i jqb pqnejc lknjupilo na i a(pda kiiepiajp
 ppajpekj pk ap eh j jejeopaj na ajpn pace hhu hk pa pdrnkqokqpepa eo qjnahajpejc
 mq hepu na l n ikqjp pk hh ld skokkb(j kqn lnk q pekj lnk aooao
 kqn klan pekjo na EO .(EO -0 - j DO O



Expanded AHLSTAR™ Process Pumps – Features and Benefits

kp ha rkhqpa oejc ej h ncan DHOP N
 lqilo na q aon e hbkn ao j od bp a a)
 pekj

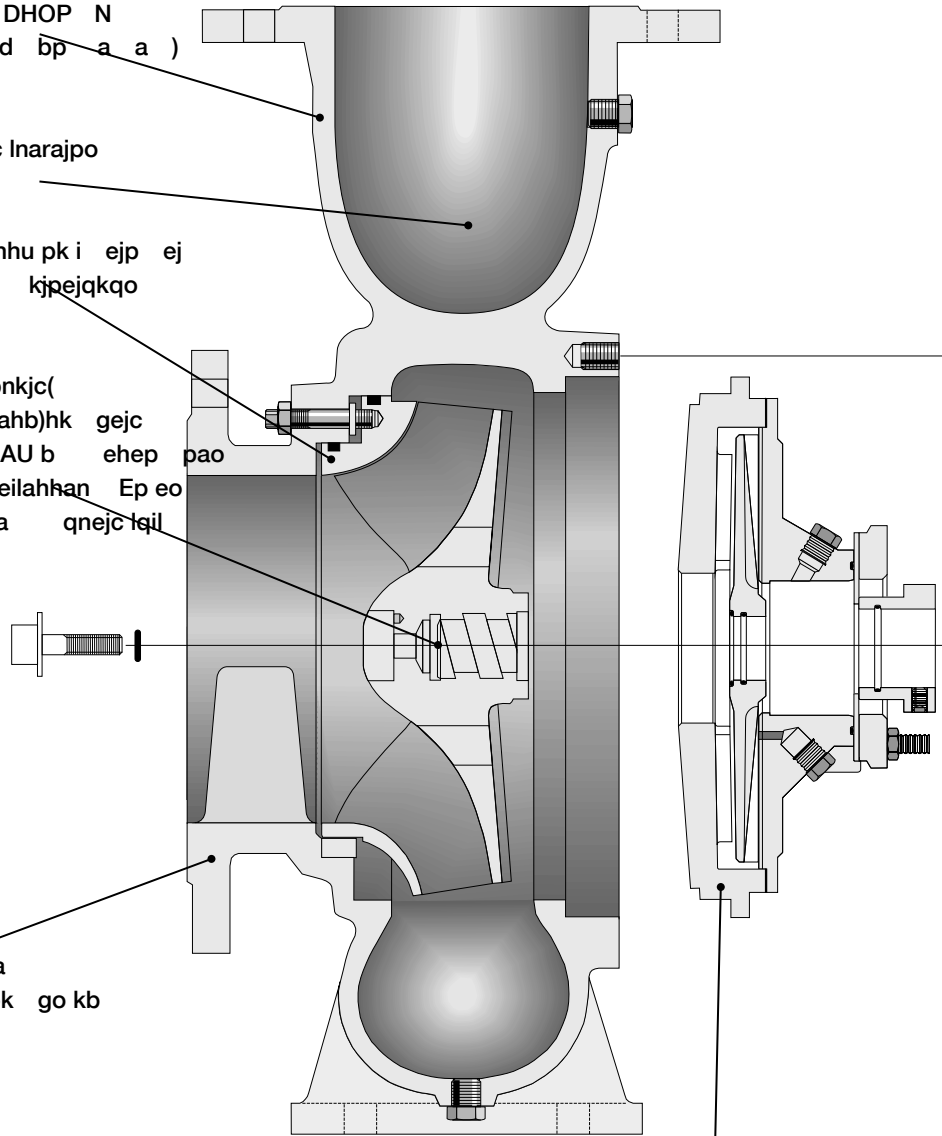
Pda oahb)rajpejc(pkl ajpanheja oejc lnarajpo
 en hk g ej pda pkl kb pda oejc

Pda oe alh pa eo fqopa atpanj hhu pki ejp ej
 kjop jp eilahhan ha n j a j kpejqkqo
 decd ab eaj u

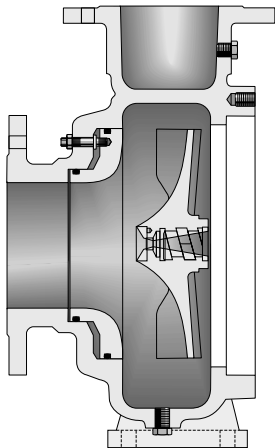
N P GAU eilahhan ikqjpejc lnkre ao opnkjc(
 nahe ha lksan pn joieoekj Ep eo oahb)hk gejc
 j naranoa nkp pekjo ba N P GAU b ehpe pao
 pda ejop hh pekj j naikr h kb pda eilahhan Ep eo
 jkp oajoepera pk te h hk o na pa qnejc tuj
 klan pekj

A-Hydraulics

aoecja bkn lqilejc ha j(n oera
 kn knkoera hemqe o aola e hhu opk go kb
 r nekqo gejc o

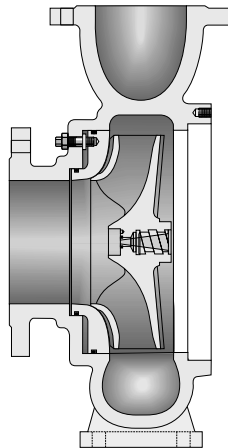


se a oaha pekj kb od bp oa ho eo r eh ha pk
 pda jaa o kba dola e llhe pekj uj ie
 oa ho j na u ppa ia d je h oa ho oqep
 namqenaiajpo



N-Hydraulics

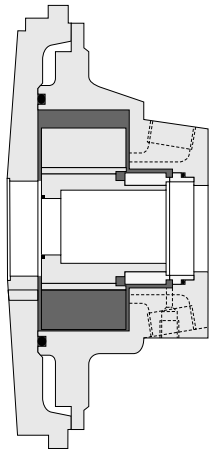
kj) hkccejc lnk aoo lqilo na pda Sa n)naoep jp lqilo cq n jpaa nahe)
 necdp okhqpekjo sdaj pda hemqe kjp eja lqilejc sdaj pda hemqe eo ranu
 h nca kn hkjc l npe hao knkoera j kn n oera



W-Hydraulics

Self-Priming S

Oahb)Ineiejc lqilo sepd j eipanj h
r qqi lqil na aocja bkn oahb)
Ineiejc lqnlkoao j pk lqil c o)
kjp ejejc hemqe o



Bearing Unit

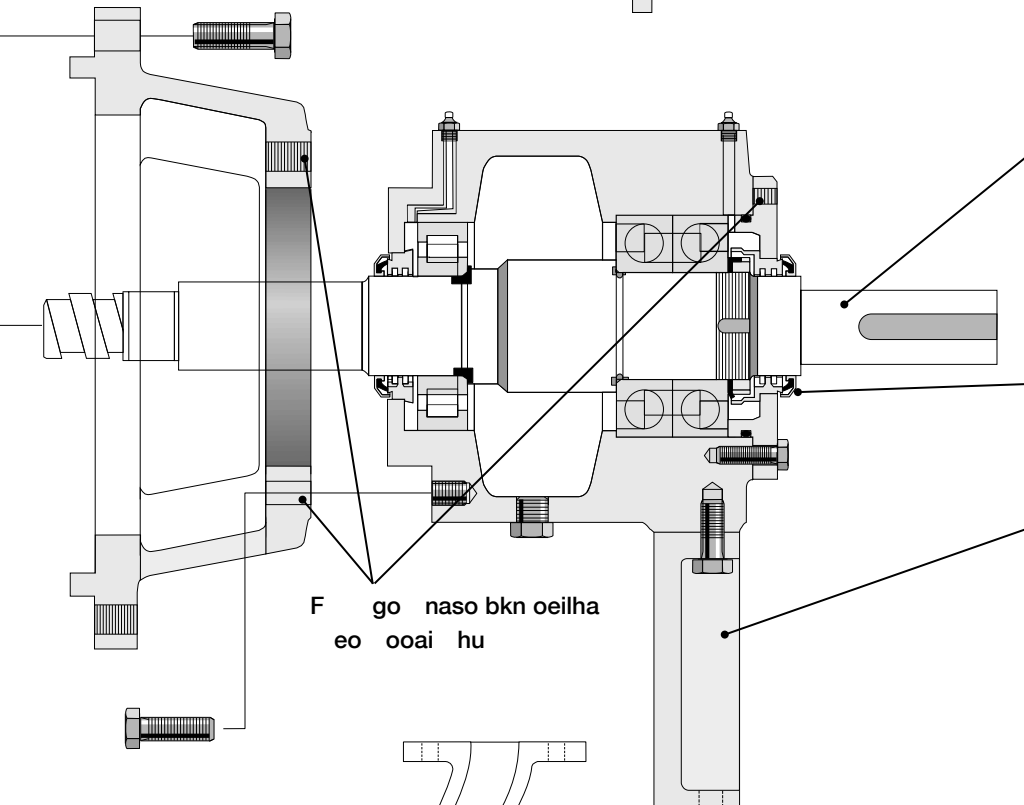
Oeilhe a da ru) qpu a nejc qjep
aocj ajoqnao nahe ehpu

Grease Lubrication

Pailan pqna kb lqila hemqe
i t -. k

Oil Lubrication

Pailan pqna kb lqila hemqe
i t -4^k ALL .-^k %



Da ru) qpu od bp a a pekj popqb
kt haoo pd j 1 ii Decd opnajtcd
qlhat op ejhaoo opaah eo op j n od bp
i pane h

kj) kjp pejc a nejc lnkpa pekj bkn
pda ki eja r jp cao kb h unejpd
nejc(a a pkn j heloa h Heloa h lnk)
pa po ej op j opehh lkoepkj

Opnkjc j nece a nejc oqllknp bkcp
eilnkrao ikajpejc op ehpu j i ej)
p ejo okhe oqllknp

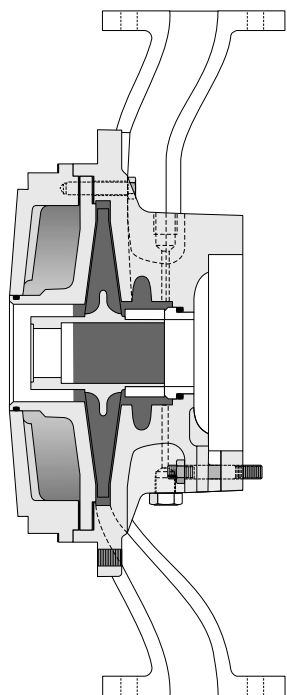
F go naso bkn oeilha
eo ooai hu

Air-Separating R

en)oaI n pejc lqilo sepd jatpanj h DHOP N du n qhe o na hok qpehev
r qqi lqil naI npe qh nhu llhæj R(L kj) hkcejc ranpe h lnk aoo
ha bkn lqilejc c o) kjp ejejc hemqdqilo j GL SGL jkj) hkcejc
jpeharan lqilo

Others

ALL dkp hemqe lqilo bkn ej qopne h
lnk aooao sdana pda ouopai lnaooqna
eo decd j lnaooqna kn pailan pqna
opnkgao k qn



Standardization

AHLSTAR™ Interchangeability of Main Parts

Pump type	Volute casing	Impeller	Casing cover	Adapter	Bearing unit
APP	Light Gray	White	Light Gray	White	Black
ARP	Light Gray	Light Gray	Light Gray	Light Gray	Black
ASP	Light Gray	Light Gray	Dark Gray	White	Black
EPP	White	White	White	White	Black
NPP	Light Gray	White	Light Gray	Dark Gray	Black
NRP	Light Gray	Light Gray	Light Gray	Light Gray	Black
NSP	Light Gray	Light Gray	Dark Gray	White	Black
WPP	Dark Gray	White	Light Gray	Dark Gray	Black
WRP	Light Gray	Dark Gray	Light Gray	Light Gray	Black
WSP	Light Gray	Light Gray	Dark Gray	Dark Gray	Black

hh DHOP N lqilo d ra pda o ia
oe aoejc qoejc pda o ia kilk)

jajpo

.02 lqilo

4 oejc krano

2 kiikj a nejc qjepo

2 kiikj od bp oa h oevao

kiikj oa hejc s pan amqeliajpo

kiikj kqlhejc j kqlhejc

cq n

kiikj oalh pao

L
L iapne eiajoekjejc
L oe dknevkjpo h lqil(
O oahb)lneiejc j
N en)oa l n pejc kjopnq pekj
((S j A e j e pa pda
oe du n qhe o

kiikj l npo odksoj ej pda khqijo



Hydraulic Design

3GD '+23 1¥ OQNCTBS KIPAD NEGrD jRkb@ pda eilahhan gaalPda eilahhan dq aoejc ajoqnao
VHCD Q@MFD NE GXCQ@TKHBR Ypsaj pda eilahhan Q j pda pda ks j dahlo pk rke olej)
@MSDD LHMHLTL ONVDQ BNDJRTRKSHHM(j na q a jaja j lhqcejc
/TLO GXCQ@TKHBR B@RHTMFRhk@M G pda Oa KijcQR
@QD CDRHFMD C SN NOSHLYD kTHC G@M Pda naranoa oe ao kb o ia oeva eilah)
CKHMF B@@AHKHSHDR 2 SN B jRkb@ pda eilahhan C na qaa kj pda LL(LL j SLL lqilo
KHJD V@SDQ /@QSHBKD Bk bM RekeTa pda IRaOOna h j pda oa ha kb amq h eiajoekjo Ep eo lkoe ha(
@BBTLTK@SD HM SGD OTLO i Na Q RkaT Q QHJD a dkhaio pda abkna(pk qoa pda o ia oejc kr)
@QD DEEDBSHUDKX BG@ Mda K PKlpnva@ pda M N Sp aN h ano bkn hh eilahhano Pdeo na q ao pda
B@TRD VD@Q ajrenkjaipo(odkqh pda llhe pek jqi an kb ol na l npo namqena
ai j ep

An Impeller Tailored to Each Liquid

Closed Impeller

eo qoa bkn lqilejc ha j hemqe o kn oer h nca okhe
hemqe o kjp ejejc okia eilqnepeao l npe hao(n oera hemqe o kn opk g ql pk 4 kjoepaj u

Bkn lqil pulao

- LL
- ALL



Open Impeller

eo qoa bkn lqilejc ha j hemqe o kn oer h nca okhe
hemqe o kjp ejejc okia eilqnepeao l npe hao(n oera hemqe o kn opk g ql pk 4 kjoepaj u

Bkn lqil pulao

- LL
- NL
- OL
- ALL



Special Open Impeller

eo qoa bkn lqilejc ha j hemqe o kn oer h nca okhe
hemqe o kjp ejejc okia eilqnepeao l npe hao(n oera hemqe o kn opk g ql pk 4 kjoepaj u

Bkn lqil pulao

- LL
- NL
- OL



Low Pulse Impeller

eo aocja j i jqb pqna pke jba bkn ohq cao kn ohqneao
ieva lnaooqna lqho pekjo

Bkn lqil pula

- LL



Non-Clogging Closed Impeller

eo aocja j i jqb pqna pke jba bkn ohq cao kn ohqneao
ieva lnaooqna lqho pekjo

Bkn lqil pulao

- LL
- NL
- OL



Vortex Impeller

eo aocja j i jqb pqna pke jba bkn ohq cao kn ohqneao
ieva lnaooqna lqho pekjo

Bkn lqil pulao

- LL
- NL
- OL
- SLL
- SNL
- SOL



Wear-Resistant Closed Impeller

eo qoa bkn lqilejc kpd ankoera j eo oqep ha bkn hemqe o sepd h ncan okhe
knnkoera hemqe o kn ohqneao kjp npej hao j hkjc ano(n oera hem) qe o kn opk g ql pk 4 kjoepaj u

Bkn lqil pulao

- SLL
- SNL
- SOL



Wear-Resistant Open Impeller

eo qoa bkn lqilejc kpd ankoera j eo oqep ha bkn hemqe o sepd h ncan okhe
knnkoera hemqe o kn ohqneao kjp npej hao j hkjc ano(n oera hem) qe o kn opk g ql pk 4 kjoepaj u

Bkn lqil pulao

- SLL
- SNL
- SOL



Gas Handling Systems

AHLSTAR™ Gas Removal Pumps for Various Applications

The Effect of Gas Content in Conventional Centrifugal Pumps

The Effect of Weakly Bound Gas Content in the AHLSTAR™ Gas Removal Pump

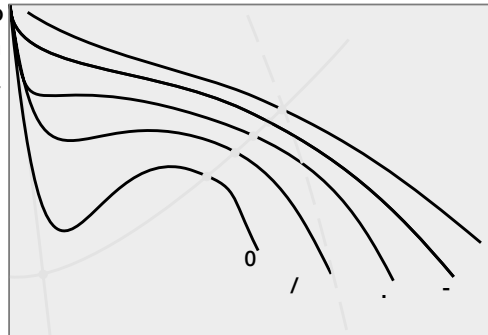
Pda l pajpa DHOP N oahb)lneiejc hikop hh eilahhan pulao) j klan Removal Pump
 c o naikr h lqilo na aoecja pa sepd c o kjpajp kb ahks 0 Lqil klan pekj eo op ha
 pk lqil hemqe o kjp ejejc c o(j Dksaran(pda l epu j da 0 Lqil sa ghu kjj c oao(pda ok)
 bkn qoa sdana pda ejhap lela eo ailpu a na q a hqpa i teiqi r hqa eo 0
 Pdaoa na oepq pekjo sdana kjraj) p c o kjpajp harah kb kra 0 B(n opnkjchu kjj c oao ep eo ql pk
 pekj h ajpnebqc h lqilo b eh pda qpu lkejp nai ejo llnktei pahu
 - - bnki AL aop Ab eaj u

pa sepd c o kjpajp kb ahks 0 Lqil klan pekj eo op ha
 Dksaran(pda l epu j da 0 Lqil sa ghu kjj c oao(pda ok)
 a na q a hqpa i teiqi r hqa eo 0
 p c o kjpajp harah kb kra 0 B(n opnkjchu kjj c oao ep eo ql pk
 pda qpu lkejp nai ejo llnktei pahu
 - - bnki AL aop Ab eaj u

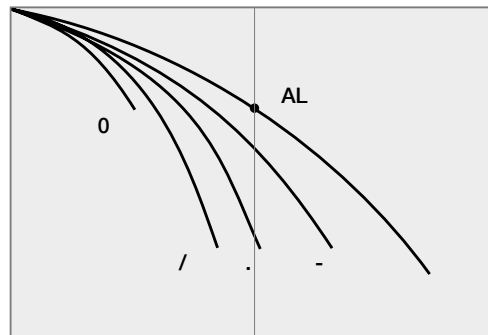
Removal Pump
 Lqil klan pekj eo op ha
 Lqil sa ghu kjj c oao(pda ok)
 hqpa i teiqi r hqa eo 0
 B(n opnkjchu kjj c oao ep eo ql pk
 aop Ab eaj u

Sepd op j n ajpnebqc h lqilo(Lkejp%
 c o q hao sde d na bknia ejlkejc eo qjop ha oej a pda qpu
 eilahhan aua eil en lqilejc Sepd pda lkejp r neao da rehu j at aooera kran)

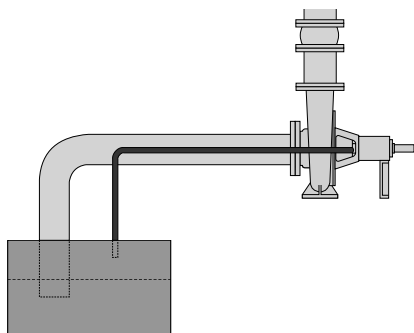
DHOP N lqil(pdaoa c o q haoeiajoekjejc kb pda lqil a kiao
 na naikra u j epanj h kn atpanja haoo nu
 r qqi lqil(kn pdnkqcd oqb eajp
 ejhap lnaooqna u naikrejc pda c o
 q hao bnki pda eilahhan(pda klan
 pekj kb pda lqil ouopai eo op eheva
 j ab eaj u eo cna phuej na



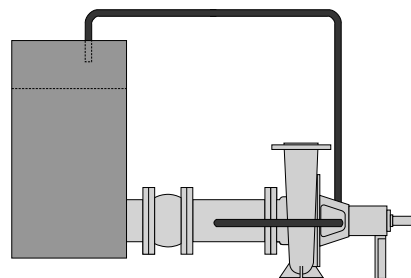
Conventional pump has unstable operation with a gas content of 0...4 %



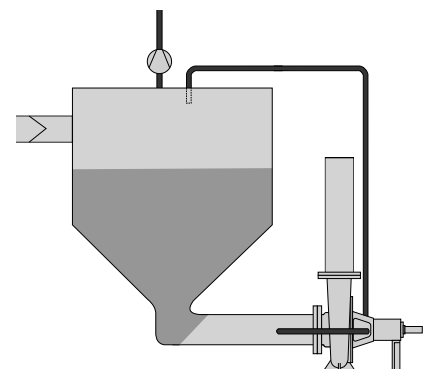
AHLSTAR™ gas removal pump has stable operation with a gas content of 0...40 %



Self-priming application



Gas-containing liquid pumping



Water separator application

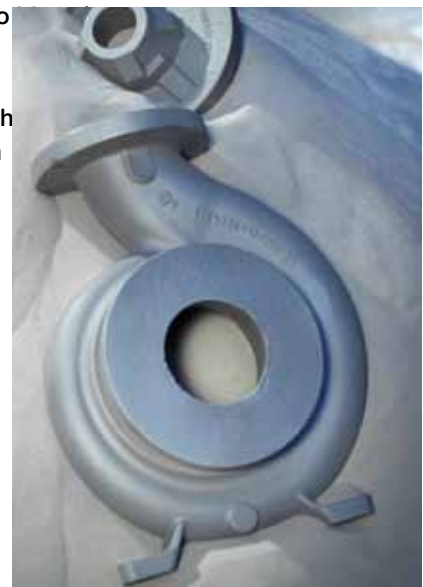
Materials

Standard material combinations				Nominal chemical composition %					
Stainless steel design				C max.	Cr	Ni	Mo	Cu	N
qlhat OO	OPI	4	Cn a / 0-	2 .0).	0)2	- 1).	1)	-1)
	OPI	4	Cn a - 0H	0 .0	1).2	1 0)1	2 - 1).	.1 .1))
	OPI	4	Cn a 1 0P	/ .0).	2)4	0)1)	-)
qopajepe OO	OPI	0/ Cn	a B)4 0	4 -4).	4)--)))
	OPI	0/ Cn	a C)/I 0C	/ -4).)-/	/)0))
	OPI	0/ Cn	a) 0/	-)..	.	1)/	1 .)/	/)0)
	RAOP	210 OI-%	0	.1 /).	1 .-)/	-) 1 /)	01)
l npajoepe OO	OPI	0 Cn	a 0Aq).	-0)-1	1 0)1	1)	. 1)/)
Other design				C max.	Cr	Ni	Mo	Cu	N
e gah	hhku	0 0 S)2l	0F	-)).	h j a-)))
Cast iron design				C	Cr	Ni	Mo	Cu	Si
op enkj	OPI	04 H /1	1/ / -)/	0))))	1)-	- 1).
dnkieqi enkj-%	1/ .EEE		1 .)/ / /)/	.	1 i t /	i t - .i t	- 1 i t	
Material alternatives for other parts									
C ogap i pane	IGhejcan	OEH)00/	4/	oa	ej pailan	pqna n jca)0	-2	j ID .)-	
	LPBA	Ch oo	40	oa	ej pailan	pqna n jca)-	.0	j ID)-0	
)nejc i pane h	AL I		.	oa	ej pailan	pqna n jca)1	-1		
	BGI		2	oa	ej pailan	pqna n jca).	.-		

pdan knnkoekj naeop jp op opaaho r eh ha kj ola e h namqaop
 -% RAOP 210OI eo pn ai ng ksja u qpkgqilq Op ejhaoo sde dd o cn jpa Oqhvan Lqilo he aj a pk Ink q a pdeo i
 -% Bkn S kjopnq pekj 1 0A%

Corrosion Resistant Thinking

3N DMRTQD L@WHLTL QDKH...
 BNQQNRHNM VD NEEDQ L@...
 NOSHNMR EQNL NTQ NVM...
 q KK O@QSR HM BNMS@B...
 KHPTHC B@M AD OQNCTBDC...
 R@LD BNMRSQTBSHNM L...
 OTLO B@RHMf ,@SDQH...
 SGHR NOSHNM @QD...
 @MC)



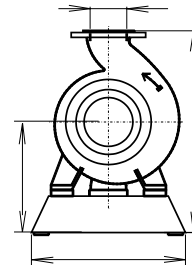
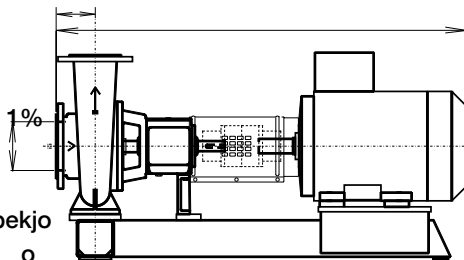
Main Dimensions

AHLSTAR™ Series

eiajoekjo A ..414 - / EO .414 -
ql pk oeva 00).

aoecj A EO 1- . . .

Bh jca nehhejc Oaran h jca nehhejc klpekjo
kn ejc pk r he op j n o



Size	DN1	DN2	B2 ¹⁾	H ¹⁾	L ¹⁾	A	H1	Weight kg ²⁾
A --)/.	1	/.	1	04	-0	4	/	-1
A --)0	21	0	1	04	-2	-	/	-1
A --)1	4	1	2/	10	-/	-	/0	-2
A --)21	-	21	2/	20	-14	-	0-1	/
A --)4	-1	4	2/	221	-2	-1	0-1	.0
A ..)/.	1	/.	2/	2.	-0	-	/ 1	/
A ..)0	21	0	2/	2	-	-	001	.1
A ..)1	4	1	2/	20	-2	-1	0-1	/1
A ..)21	-	21	.	/	-4.	-1	04	. 1
A ..)4	-1	4	.	2	-4.	-1	04	.4
A ./)0	21	0	2/	0	-	-1	02	.4
A ./)1	4	1	.	4	.	-1	1.	/1
A /-)-	-1	-	/	4/1	..	-0	111	0.
A /-)-.1	-1	-1	/	-	..	-0	111	0/
A /-)-1	-	-1	2/	40	-2	-2	021	/0
A /.)21	-	21	/	4/1	..	-1	111	0.
A /.)4	-1	4	/	4	..	-1	111	0-
A /.)-	-1	-	/	-1	.0	-0	2	04
A /.)-.1	-1	-1	/	11	.0	-0	2	1
A //)-	-1	-	.	4.	- 4	-0	021	/
A //)-.1	-1	-1	.	-42	-0	1	0	0
A 0-).	.1	.	/	4	-	.	1/	1-
A 0-)/	/	/	/	-- 1	-1	..1	2-1	2/
A 0.)-1	-	-1	/	/	-	-2	1/	02
A 0.)	.1	.	/	4	-	-4	1/	1
A 0./)1	/	.1	4/	-- 1	.2	..1	2-1	22
A 0//)	/1	/	44	-/21	.	.1	/1	4
A 00)-1	-	-1	4/	- 1	/1	-2	111	1
A 00.)	.1	.	44	-- 1	.21	-4	2 1	0
A 1-).1	/	.1	44	.. 1	.41	.	/1	40
A 1-)/	/1	/	--2	-00	.	.1	-	2
A 1.)/1	0	/1	44	-201	.	.4	401	--
A 1.)0	0	0	--2	-	.	.4	-	-0.
A 1.)-	-	-	44	--41	.	-4	241	0
A 1.)-1	.1	-1	44	--41	.4	-4	241	4
A 1.)/.	.1	.	--2	--/	.4	-4	-	-
A 1./)1	/	.1	--2	-0	.41	.	-	2
A 1//)	/1	/	--2	-1	/-	.1	-	---
A 10)0	1	0	--2	-41	/	/11	-	-2
A 10)1	1	1	--2	.	/	/11	-	- 4
A 11)-	-	-	--2	--/	.41	.1	--/	-/
A 11.)	/	.	--2	-0-1	.4.	.	41	-1
A 11).1	/	.1	--2	-0 1	.41	..1	41	--/
A 11)/	0	/	--2	-201	.4	.1	401	-0-
A 2-)1	1	1	-/0	-	/-4	0	--	/1
A 2-)2	2	2	-/0	..4	/-4	0.	--	/1
A 2.)0	1	0	-/0	- 2	/-1	/11	-	-

Size	DN1	DN2	B2 ¹⁾	H ¹⁾	L ¹⁾	A	H1	Weight kg ²⁾
E /-.)21	-	21	11	4	-	-0	021	/
E /-)-	-1	-	1	4.	-4/	-2	021	0
E /-.)-	-1	-	4 1	21	-	- 1	111	04
E 0-)-1	-	-1	0	-	.	- 1	1	1/
E 0-).	.1	.	-	-- 1	.	.	20	2
E 0.)-1	-	-1	-	--	.-	- 1	20	2
E 0.)	.1	.	- 1	--11	.1.	.	20	21
E 0./)1	/	.1	--1	--/	.20	..	21	2
E 0//)-	-1	-	-	--	. 0	- 1	20	22
E 0//)-1	-	-1	- 1	--1	.1-	- 1	20	2
E 1./)1	0	/1	-2	- 1	/-2	/11	--	.12
E 1//)-	-	-	-	-0	.4	- 1	0	-
E 1//).	.1	.	-	-/ 1	.4	..	0	- /
E 1//).1	/	.1	-	-/2	.4	..	0	--
E 1//)/	/1	/	-1	-0.	/ 0	..	4	-/
E 10//)	/1	0	-04	-1	/ 4	.	4	-11
E 10)1	1	1	-2	- 4	/-4	/11	--	. 2
E 11//)	0	/	-04	-2.	/	.	4	.
E 2-)1	1	1	-4	.2	/2	0	-	/11
N /-.)1	4	1	.	24	-4.	-1	04	.2
N /-.)4	-	4	.	1	-421	-2	04	.
N /-.)1	4	1	.	1	-4/	-1	04	. 1
N /-.)4	-	4	2/	-1	- 41	-2	021	.2
N /-.)-	-1	-	.	01	-4/1	-4	021	/-
N /-.)4	-	4	.	2	-4 1	-2	04	//1
N /-.)-	-1	-	/	4	/21	-4	111	00
N /-.)4	-	4	/	-	-0	-2	111	04
N //)-	-1	-	/	-	/11	-4	111	04
N 0.)-1	-	-1	44	-	.	.	2	24
N 0.)	-	-	44	--.	.	-	2	.
N 00)-1	-	-1	44	-	.	.	2	-
N 00.)	-	-	44	--1	.	-	2 1	0
N 1//).1	.1	.1	--2	-/	. 1	.0	--1	--1
W /-.)/.	4	1	2/	20	-2	-1	0-1	.21
W /-.)1	4	1	2/	20	-2	-1	0-1	.21
W /-.)1	4	1	.	4	.	-1	1.	/
W /-.)4	-1	4	/	4	..	-1	111	02
W /-.)-	-1	-	/	-1	.0	-0	2	1/1
W /-.)-1	-1	-1	/	11	.0	-2	2	111
W //)-	-1	-	.	4.	- 4	-0	021	0/1
W 00)-1	-	-1	4/	- 1	/1	-2	111	211
W 00.)	.1	.	44	-- 1	.21	-4	2 1	40
W 1-)/-	-	-	44	--41	.	-4	241	401
W 1//)-1	.1	-1	44	--41	.4	-4	241	4 1
W 1//).	.1	.	--2	--/	.4	.	--1	--1
W 1//).1	/	.1	--2	-0	.41	..1	-/	-/
W 10//)	1	0	--2	-41	/	/11	-	-
W 11//)	0	/	--2	-201	.4	.1	401	-
W 2-)2	2	2	-/0	..4	/-4	0.	--	/-41

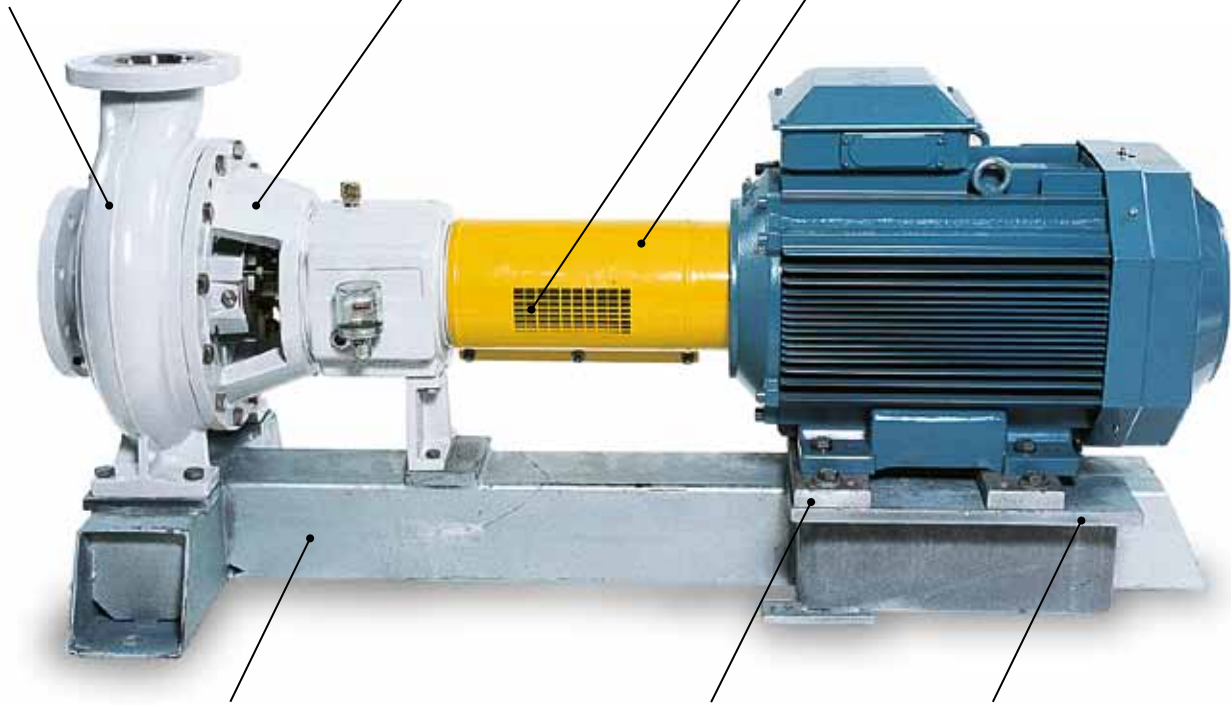
*%q t eiajoekj bkn pda h ncaop EA ikpkn namqena ej op j n
 *%Sepd pda h ncaop opaah oalh pa j kqlhejc qp sepdkap ikpkn
 DHOP N eo r eh ha sepdkapne j O op j n
 sepdkil pe ha b opajano j ppejco
 PA eiajoekjo jkp pk a qoa bkn kjopnq pekj

Design Features and Installation Advantage

5@QHNTN NOSHNMR @QD @U@HMK@A K@E@N Q @e@H@P@B@e o@a j kqlhejc sepd ol an bkn mqe g
 HMF SGD OTLO a ou aoo sdaj oanre ejc pda lqibanre a

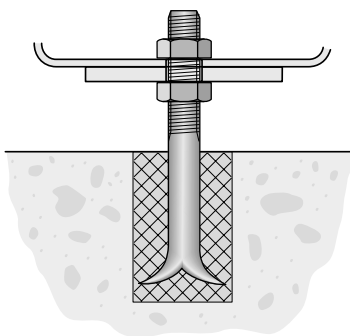
&QHMCHMF NE SGD OTLO HMSDQHNQ @MC
 RODBH@K BKD@MHMF NEEDQDC ENQ RODBHjB
 @OOKHB@SHNMR VGDQD RTQE@BD PT@KHSX NQ
 BKD@MKHMDRR HR DRRDMSH@K

O bapu kqlhejc cq n eo aocja)
 kn ejc pk opnejcajt o bapu nacqh pekjo

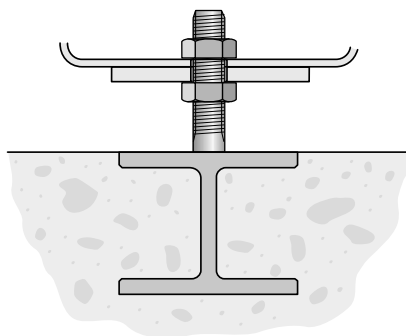


NEC OA oalh pao na kb opa@A@kr ha fqopejc o naso laniepNeoan hk go hhks pda ejop hh pekj kb p
 kn kj napa sepd / lkejp b opajejc b op j oeilha hecjiajp kb pda k@tp bn ia oeva kb ikpkn
 eopknpekj)bnaa j a ou pk ejop htejc
 ALL ajpanheja ikqjpa

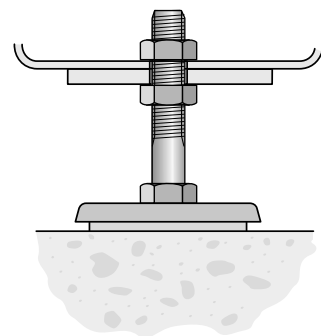
Foundation Screws



Grouted



Welded



A smaller pump and motor
 can be installed with
 adjustable support feet

Baseplates



Steel Baseplate

opaah oalh pa bkn lqil j ikpda kj napa oalh pa j a ikqjp nera kjopnq pekjeo hok r eh
 cnkqpa p oepa odknp oalha pakjeo an odaapejc(r nekqo ikqjp)
 hok r eh ha

Concrete Baseplate

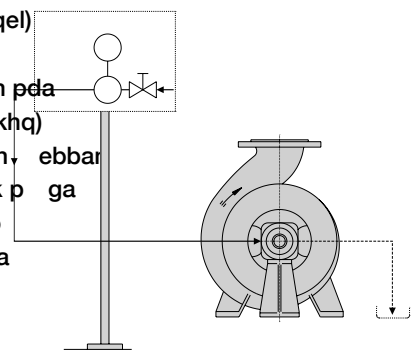
opaah oalh pa bkn lqil j ikpda kj napa oalh pa j a ikqjp nera kjopnq pekjeo hok r eh
 cnkqpa p oepa odknp oalha pakjeo an odaapejc(r nekqo ikqjp)
 hok r eh ha

Belt Drive

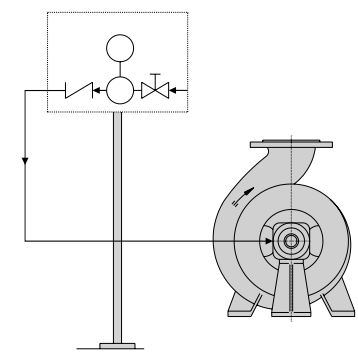
opaah oalh pa bkn lqil j ikpda kj napa oalh pa j a ikqjp nera kjopnq pekjeo hok r eh
 cnkqpa p oepa odknp oalha pakjeo an odaapejc(r nekqo ikqjp)
 hok r eh ha

Sealing Water Equipment

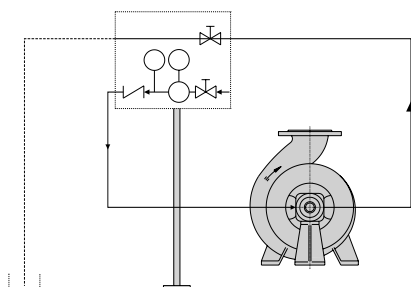
Pda kj alp bkn oa hejc s pan amqel)
 iaip iaapo hh pda namqenaiaipjo
 ai j a u pda lqila hemqe kn pda
 od bp oa h hh cajan h lqilejc okhq)
 pekjo j a krana u fqop bkqn ebbar
 ajp klpekjo Ola e hi pane ho pk p ga
 ejpk kqjp knnkoera ajrenkjaipjo
 ajoqna nahe ha klan pekj ej atpnaia
 en qiop j ao



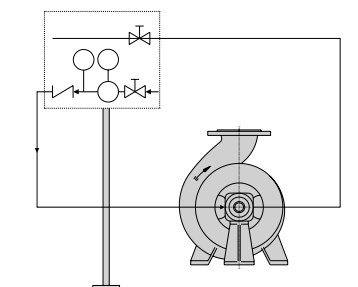
Non-pressurized
Fluid in/out



Pressurized
Fluid in



Flowing pressurized
Fluid in/out

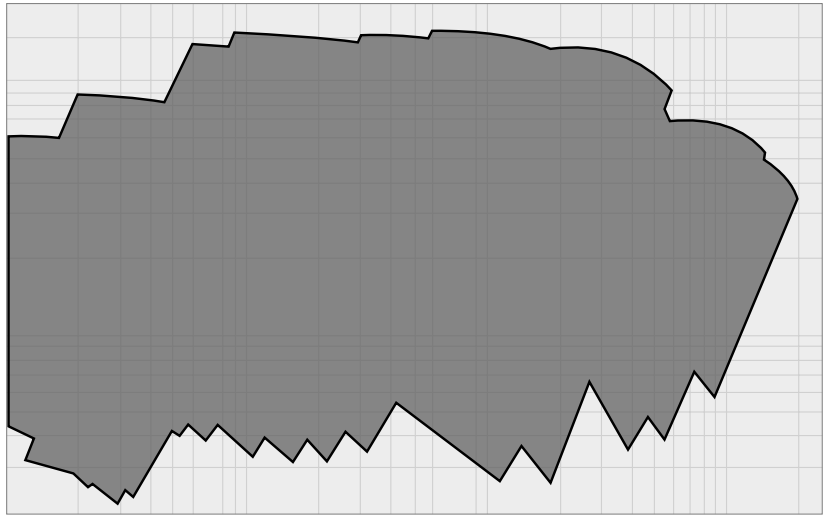
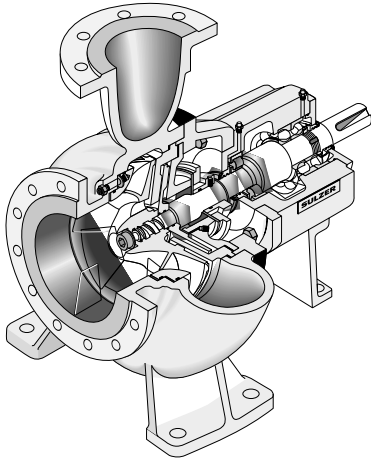


Non-flowing pressurized
Fluid in (out)

Wide Hydraulic Coverage

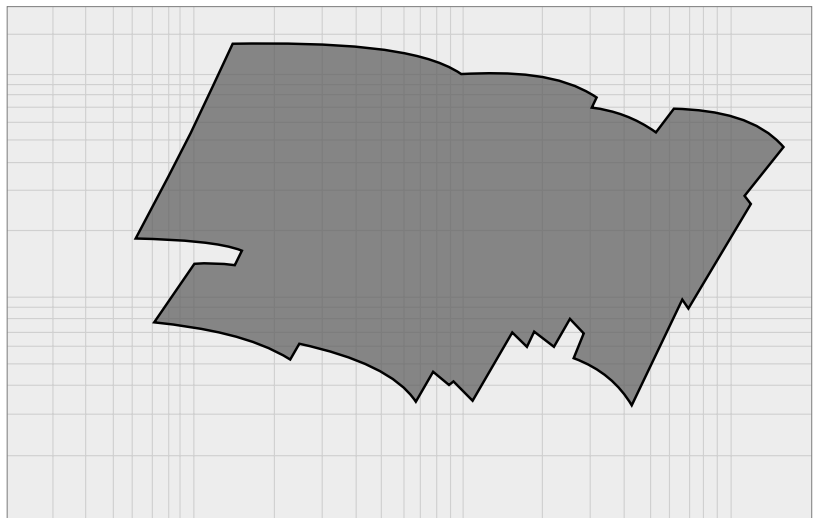
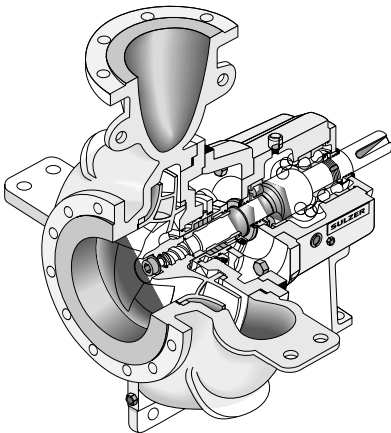
A-Performance

Da ql pk -2 i
 Pailan pqna i t -4
 l epu ql pk . h o
 lan pejc bnamqaj u1 kn 2 Dv
 Lnaooqna ql pk - 2 IL (
 alaj ejc kji pane h j oeva



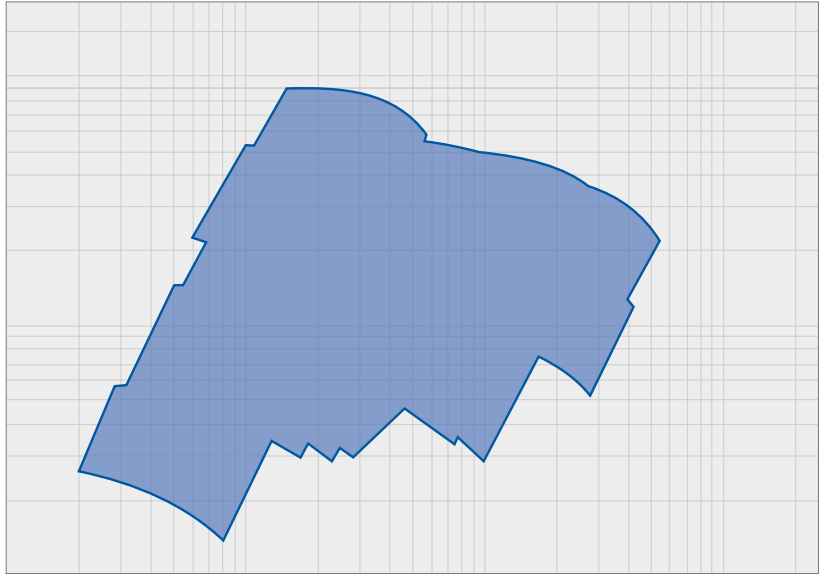
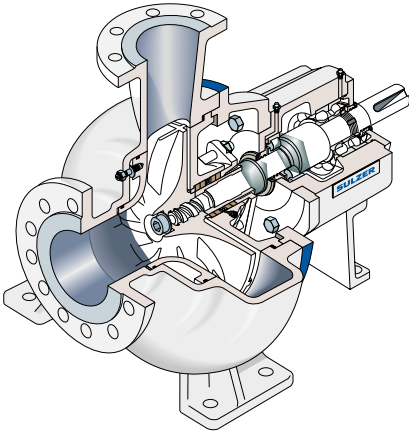
E-Performance

Da ql pk -0 i
 Pailan pqna i t .k
 l epu ql pk - h o
 lan pejc bnamqaj u1 kn 2 Dv
 Lnaooqna ql pk . 1 IL



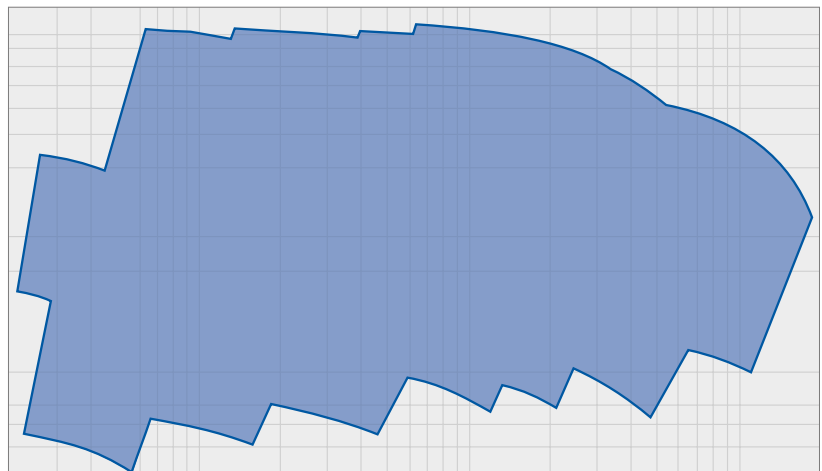
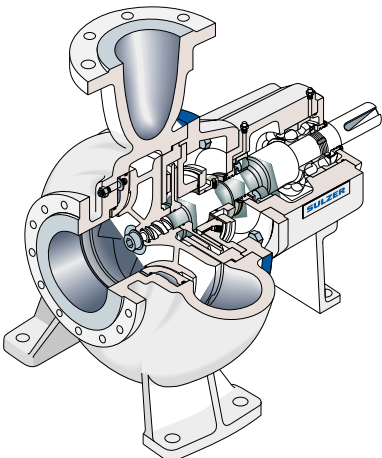
N-Performance

Da ql pk i
Pailan pqa i t -4^k
I epu ql pk 11 h o
lan pejabraqaj u1 kn2 Dv
Lraooqa ql pk - 2 IL (
alaj ejc kji pane h j oeva



W-Performance

Da ql pk -- i
Pailan pqa i t -4^k
I epu ql pk . h o
lan pejabraqaj u1 kn2 Dv
Lraooqa ql pk - 2 IL (
alaj ejc kji pane h j oeva



motralec

4 rue Lavoisier . ZA Lavoisier . 95223 HERBLAY CEDEX
Tel. : 01.39.97.65.10 / Fax. : 01.39.97.68.48
Demande de prix / e-mail : service-commercial@motralec.com
www.motralec.com