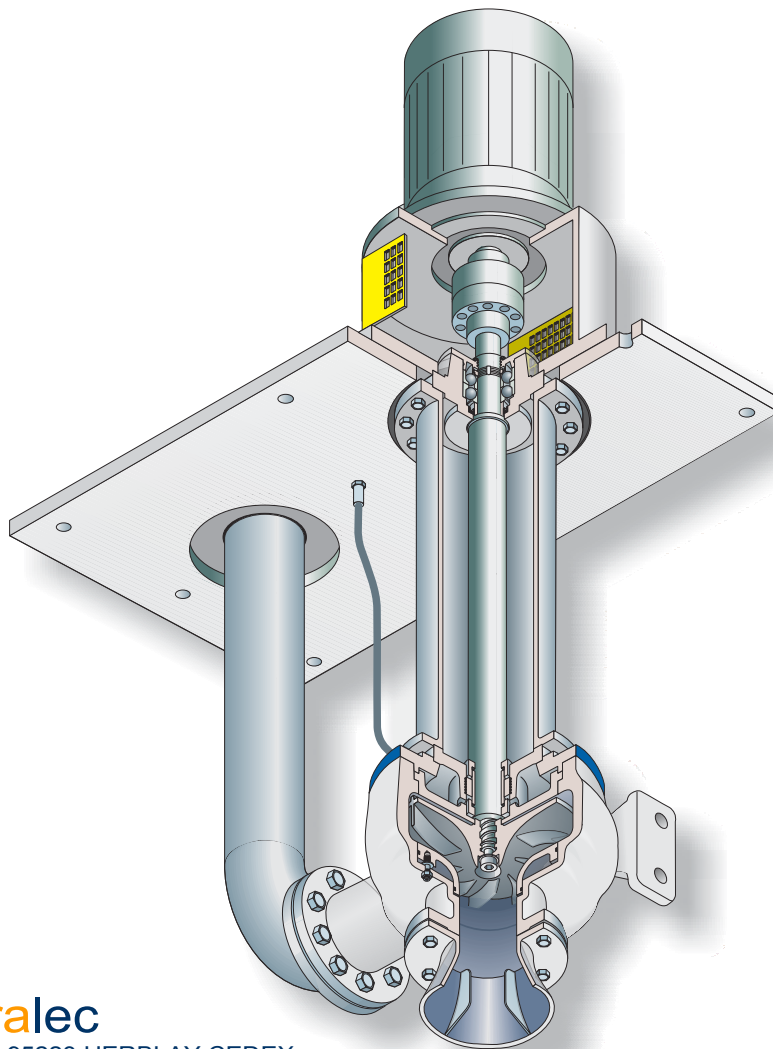


AHLSTAR™ NVP Non-Clogging Vertical Pumps



motralec

4 rue Lavoisier . ZA Lavoisier . 95223 HERBLAY CEDEX

Tel. : 01.39.97.65.10 / Fax. : 01.39.97.68.48

Demande de prix / e-mail : service-commercial@motralec.com

www.motralec.com

THE Heart
of Your
Process

Sulzer Pumps – Striving to Serve You Better!

For over 135 years Sulzer Pumps has been providing innovative pumping solutions for a number of different industry segments. Today we are a leading global supplier of pumps to these targeted markets.

Through our commitment to understanding our customers' process and specific needs, we have consistently been at the leading edge of technical developments in providing pumping solutions. We strive to meet your application requirements through the use of state-of-the-art technology and advanced research & development facilities. In addition we offer the pump industry's most extensive network of Customer Service Centers to support and service our products.



A Reputation for Excellence

Sulzer Pumps has earned its reputation for providing advanced pumping solutions that meet the critical demands of our customers and business partners. Attention to detail and an insistence on quality are paramount to all phases of our operations.

Through having our own foundries, we are able to ensure optimum pump material selection for each particular application. Our 14 manufacturing plants are strategically located throughout the world, and our production processes are ISO 9002 and ISO 14001 certified.

Each and every pump is rigorously tested before shipment, and regardless of where in the world our pumps are made, the commitment to quality is unrelenting.



Design Features and Benefits

AHLSTAR™ NVP Non-Clogging Vertical Process Pump is designed so that it can be placed in a deep pit or floor channel while the motor remains in a dry space. The non-clogging hydraulics with pump casing, impeller and side plate are from the AHLSTAR™ NPP process pump series.

- Reliable non-clogging design
- Easy maintenance
- Wide range of sizes and lengths

One piece shaft guarantees straightness and easy assembly.

Heavy-duty roller bearing unit with angular contact ball bearings together with non-floating shaft guarantees long bearing lifetime.

Length adjustment in discharge piping and flexible sealing water hoses for proper mounting.

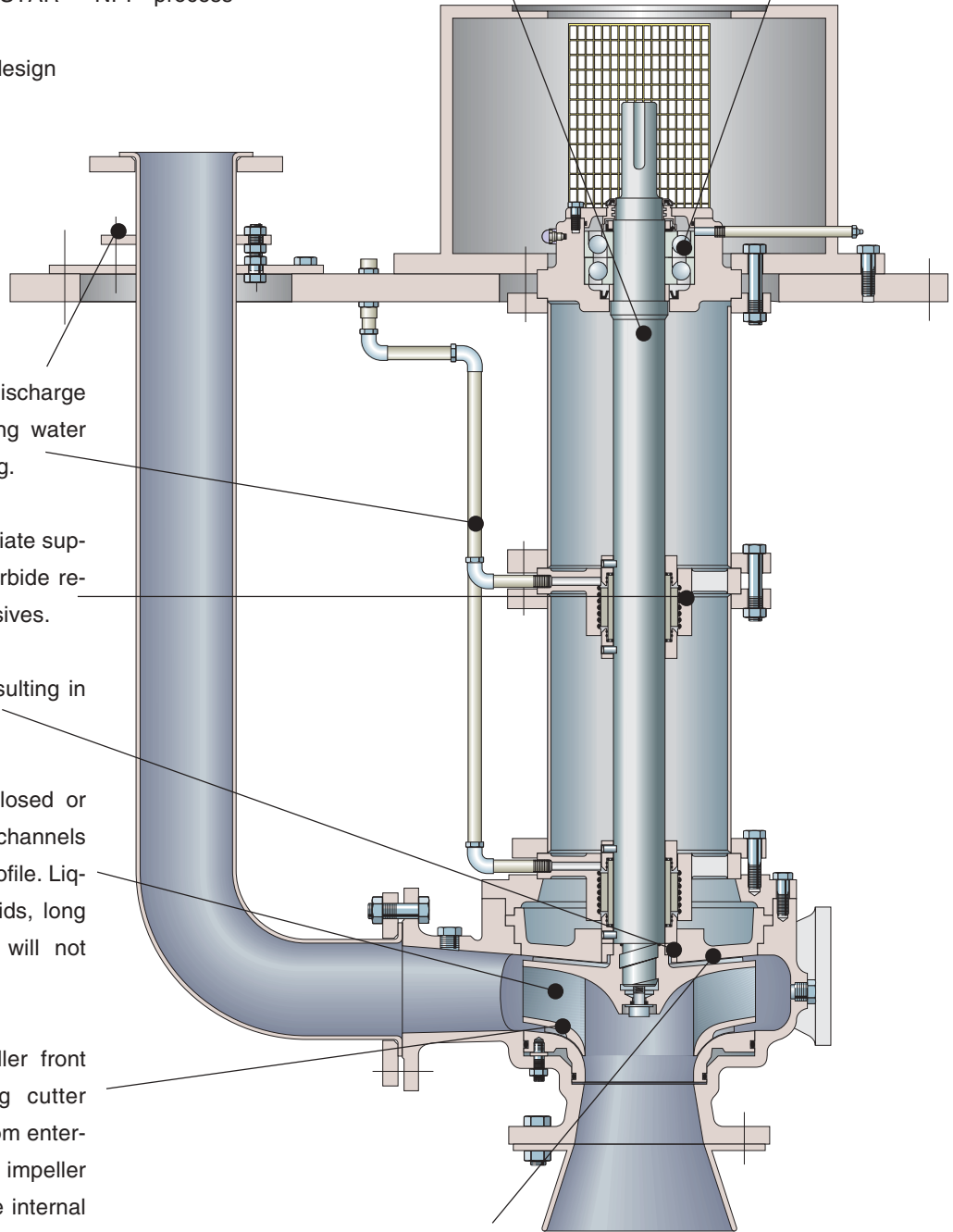
Strong and rigid intermediate support bearing of silicon carbide resists chemicals and abrasives.

No shaft seal needed resulting in more reliable operation.

Non-clogging impeller (closed or vortex) with wide open channels and self-cleaning vane profile. Liquids containing large solids, long fibers, clips or plastics will not plug the impeller.

Pressure reducing impeller front vanes and self-cleaning cutter grooves prevent fibers from entering the gap between the impeller and sideplate and reduce internal flow losses.

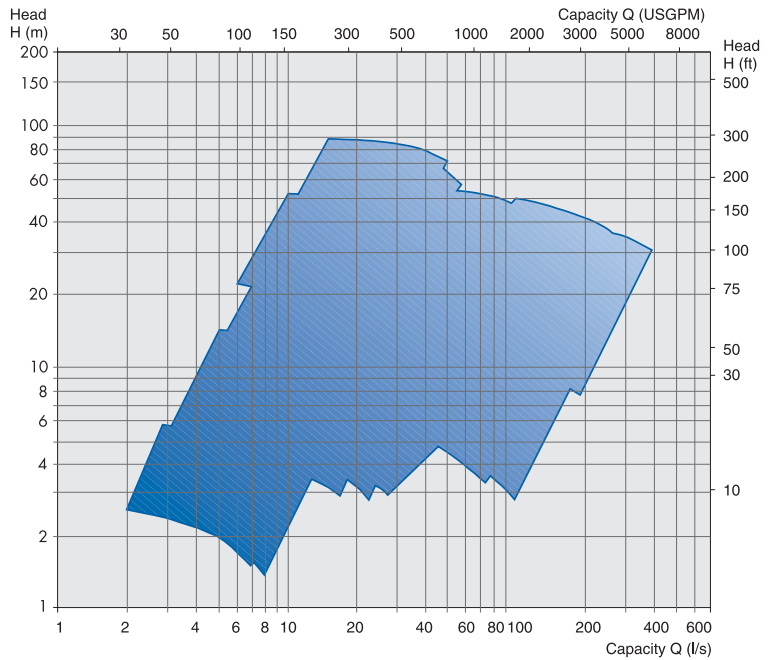
Non-plugging impeller back vane design prevents plugging caused by longer fibers or plastics.



Performance Ranges

Technical Data

Capacity max. 340 l/s
 Head max. 85 m
 Temperature max. 95°C
 Operating pressure max. 1 MPa (10 bar)
 Lubrication grease



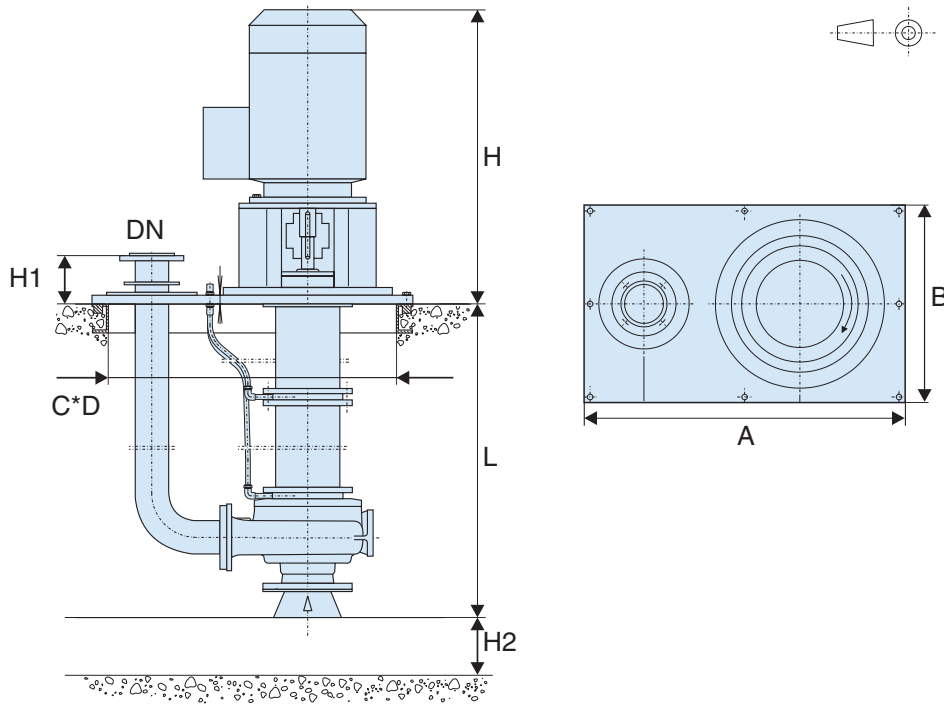
Materials

Name of Part	Duplex Stainless Steel Design	Cast Iron Design
Casing	Duplex SS ASTM A890 Grade 3A	Cast Iron ASTM A48 CL 35B
Impeller	Duplex SS ASTM A890 Grade 3A	Duplex SS ASTM A890 Grade 3A
Shaft	Duplex SS 2324	Duplex SS 2324
Sideplate	Duplex SS ASTM A890 Grade 3A	Duplex SS ASTM A890 Grade 3A
Casing cover	Duplex SS ASTM A890 Grade 3A	Cast Iron ASTM A48 CL 35B

Other materials can be delivered on request.

Main Dimensions

(dimensions in mm)



Pump	DN	L max	H*	H1	H2 min	A x B	C x D	Weight/ kg **
NVP21-50	80	3290	1105	170	80	1055x520	955x420	380
NVP21-80	100	3350	1105	170	100	1055x520	955x420	400
NVP22-50	80	3290	1105	170	80	1055x520	955x420	390
NVP22-80	100	3350	1220	170	100	1055x520	955x420	410
NVP31-100	150	3910	985	170	150	1355x680	1245x570	650
NVP32-80	100	3860	1090	170	100	1355x680	1245x570	660
NVP32-100	150	3920	1090	170	150	1355x680	1245x570	680
NVP33-80	100	3860	1260	170	100	1355x680	1245x570	700
NVP33-100	150	3920	1150	170	150	1355x680	1245x570	720
NVP42-150	200	4230	1415	175	200	1790x810	1670x690	980
NVP42-200	250	4240	1415	175	200	1790x810	1670x690	1060
NVP44-150	200	4230	1415	175	200	1790x810	1670x980	1020
NVP44-200	250	4240	1465	175	200	1790x810	1670x690	1100

- Discharge opening (mm)
- Casing cover number
- Bearing unit size
- Pump series

* For max. motor size

** Weight without motor and coupling.

SULZER

motralec

4 rue Lavoisier . ZA Lavoisier . 95223 HERBLAY CEDEX
Tel. : 01.39.97.65.10 / Fax. : 01.39.97.68.48
Demande de prix / e-mail : service-commercial@motralec.com
www.motralec.com