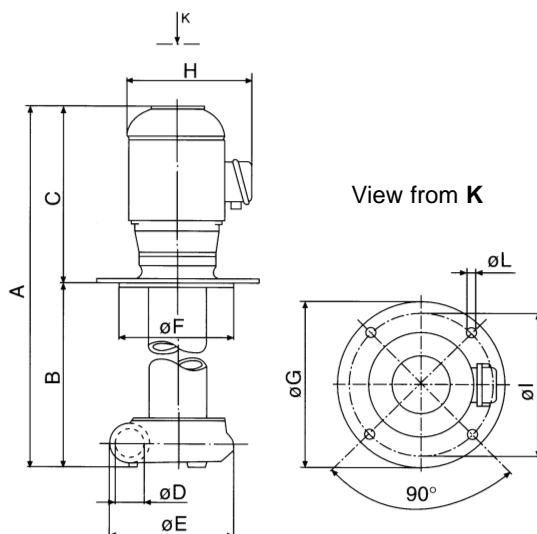


► Immersion Range IMM 90/A - 90/B

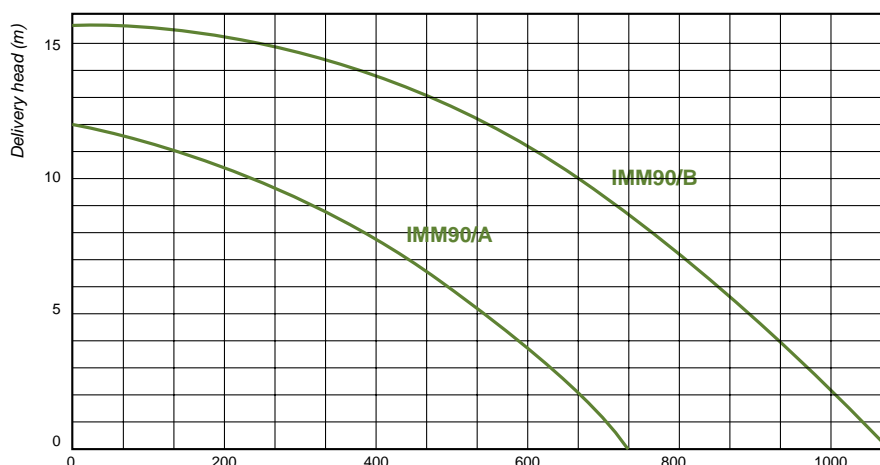


MECHANICAL FEATURES

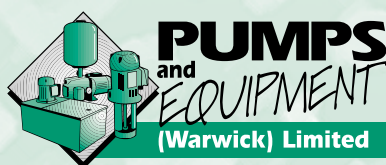
Pump BodyCast Iron
 CoverCast Iron
 ImpellerCast Iron
 ShaftSteel

MOTOR CHARACTERISTICS

ProtectionIP55
 InsulationCL. F
 VoltageEurovoltage 3PH
 Frequency50Hz



TYPE	KW Absorbed	AMPS 400 V	A mm	B mm	C mm	ØD mm	ØE mm	ØF BSP	ØG BSP	ØH mm	ØI mm	ØL mm	n° L	WEIGHT Kg
IMM 90/A	1.85	5.0	670	350	320	2"	235	240	300	240	270	13	4	47.5
	1.85	5.0	920	600	320	2"	235	240	300	240	270	13	4	48.8
	1.85	5.0	1120	800	320	2"	235	240	300	240	270	13	4	50.0
IMM 90/B	2.80	6.2	695	350	345	2"	235	240	300	240	270	13	4	49.0
	2.80	6.2	945	600	345	2"	235	240	300	240	270	13	4	50.3
	2.80	6.2	1145	800	345	2"	235	240	300	240	270	13	4	51.5



motralec

4 rue Lavoisier . ZA Lavoisier . 95223 HERBLAY CEDEX
 Tel. : 01.39.97.65.10 / Fax. : 01.39.97.68.48
 Demande de prix / e-mail : service-commercial@motralec.com
www.motralec.com