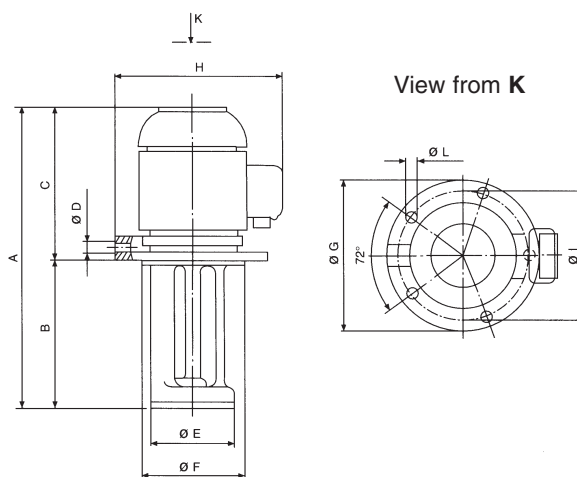


# ► Immersion Range IMM 80/A & 80/B

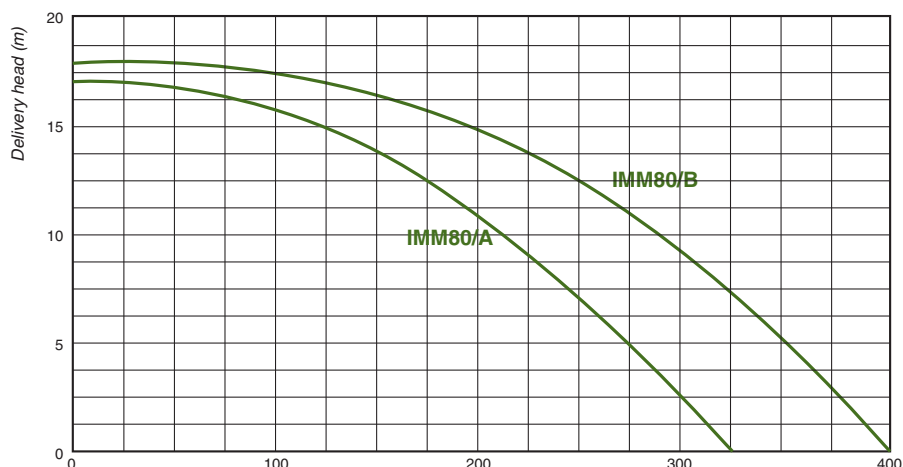


## MECHANICAL FEATURES

Pump Body ..... Cast Aluminium  
 Cover ..... Cast Aluminium  
 Impeller ..... Bronze  
 Shaft ..... Steel

## MOTOR CHARACTERISTICS

Protection ..... IP55  
 Insulation ..... CL F  
 Voltage ..... Eurovoltage 3PH  
 Frequency ..... 50Hz



TYPE	KW Absorbed	AMPS 400 V	A mm	B mm	C mm	ØD mm	ØE mm	ØF BSP	ØG BSP	ØH mm	ØI mm	ØL mm	n° L	WEIGHT Kg
IMM 80/A	1.15	1.9	470	200	270	11/4"	190	220	250	260	235	9	5	13.5
	1.15	1.9	520	250	270	11/4"	190	220	250	260	235	9	5	14.0
	1.15	1.9	570	300	270	11/4"	190	220	250	260	235	9	5	14.5
	1.15	1.9	620	350	270	11/4"	190	220	250	260	235	9	5	15.0
	1.15	1.9	800	530	270	11/4"	190	220	250	260	235	9	5	17.0
IMM 80/B	1.47	2.8	470	200	270	11/4"	190	220	250	260	235	9	5	14.5
	1.47	2.8	520	250	270	11/4"	190	220	250	260	235	9	5	15.0
	1.47	2.8	570	300	270	11/4"	190	220	250	260	235	9	5	15.5
	1.47	2.8	620	350	270	11/4"	190	220	250	260	235	9	5	16.0
	1.47	2.8	800	530	270	11/4"	190	220	250	260	235	9	5	18.0



**motralec**

4 rue Lavoisier . ZA Lavoisier . 95223 HERBLAY CEDEX  
 Tel. : 01.39.97.65.10 / Fax. : 01.39.97.68.48  
 Demande de prix / e-mail : [service-commercial@motralec.com](mailto:service-commercial@motralec.com)  
[www.motralec.com](http://www.motralec.com)