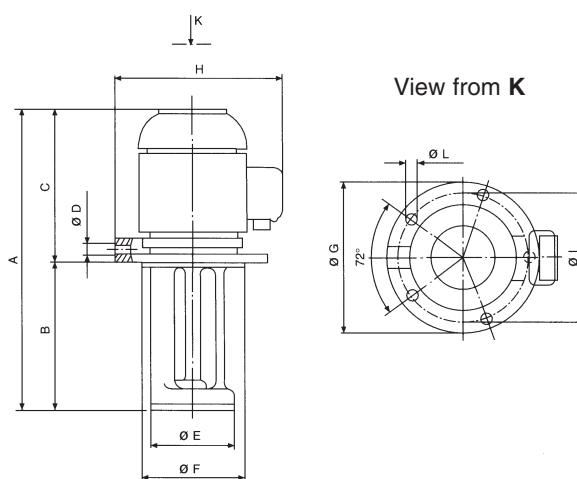


# ► Immersion Range IMM 63/A - 63/B



## MECHANICAL FEATURES

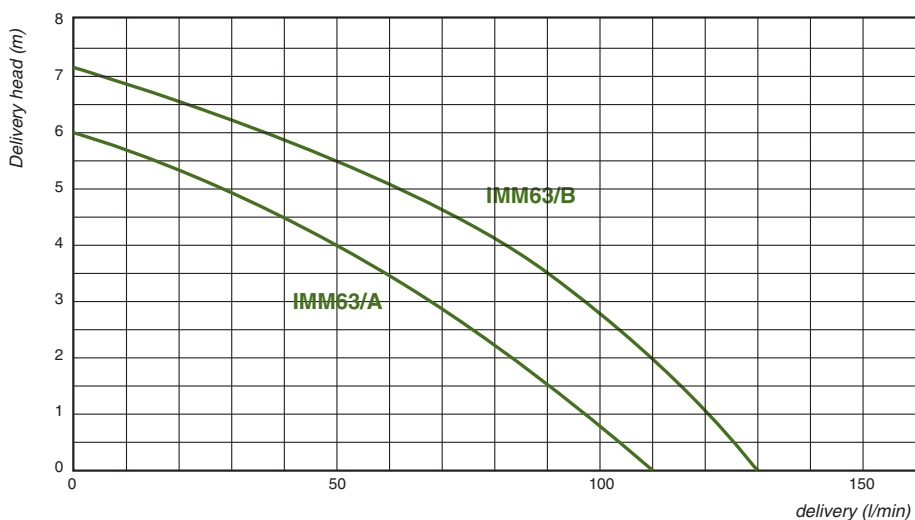
Pump Body ..... Cast Aluminium  
 Cover ..... Valox  
 Impeller ..... Valox  
 Shaft ..... Steel

### On Request:

Shaft ..... Stainless Steel

## MOTOR CHARACTERISTICS

Protection ..... IP55  
 Insulation ..... CL F  
 Voltage ..... Eurovoltage 3PH & 1PH  
 Frequency ..... 50Hz



TYPE	KW Absorbed	AMPS 400 V	A mm	B mm	C mm	ØD mm	ØE mm	ØF BSP	ØG BSP	ØH mm	ØI mm	ØL mm	n° L	WEIGHT Kg
IMM 63/A	0.30	0.58	355	150	215	3/4"	125	130	180	190	150	9	4	5.00
	0.30	0.58	415	200	215	3/4"	125	130	180	190	150	9	4	5.20
	0.30	0.58	465	250	215	3/4"	125	130	180	190	150	9	4	5.35
	0.30	0.58	515	300	215	3/4"	125	130	180	190	150	9	4	5.60
IMM 63/B	0.40	0.90	365	150	215	3/4"	125	130	180	190	150	9	4	5.50
	0.40	0.90	415	200	215	3/4"	125	130	180	190	150	9	4	5.70
	0.40	0.90	465	250	215	3/4"	125	130	180	190	150	9	4	5.90
	0.40	0.90	515	300	215	3/4"	125	130	180	190	150	9	4	6.15



**motralec**

4 rue Lavoisier . ZA Lavoisier . 95223 HERBLAY CEDEX  
 Tel. : 01.39.97.65.10 / Fax. : 01.39.97.68.48  
 Demande de prix / e-mail : [service-commercial@motralec.com](mailto:service-commercial@motralec.com)  
[www.motralec.com](http://www.motralec.com)