

# MP PUMPS, INC.

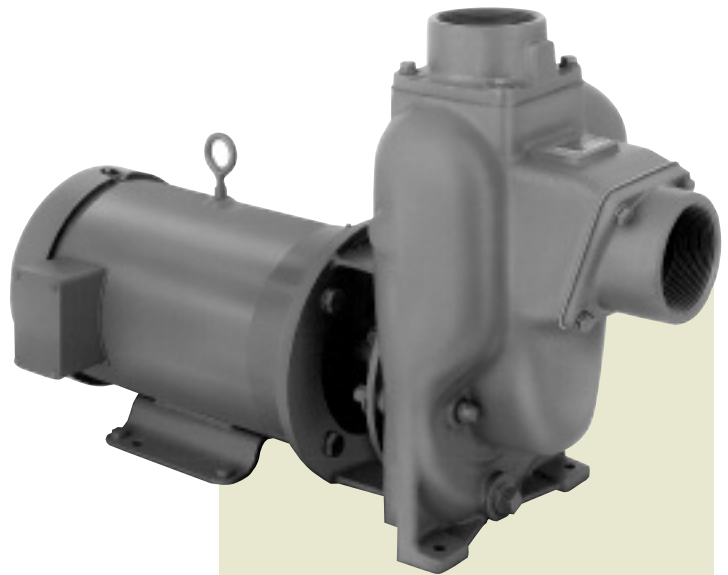
## PETROLEUM 8

### Self-Priming Centrifugal Pump

Specifically designed for transfer of petroleum based fluids, MP's *Petroleum 8* series is available in three (3) distinct models: **PO 8**, **PG 8** and **PE 8**.

Designed to close-couple to 56C and 145TC frame electric motors, the models are also available as *Pumpaks*. Additional mounting options include pedestal, diesel-engine drive, and hydraulic drive.

Models are self-priming and capable of 20 foot suction lift.



### SPECIFICATIONS:

Suction and Discharge . . . . .	2" x 2" NPT
Housing . . . . .	PO 8 . . . . Cast Iron, Ductile Iron (optional) PG 8 . . . . Ductile Iron PE 8 . . . . Ductile Iron
Impeller, Semi-Open. PO 8 . . . .	Cast Iron PG 8 . . . . Cast Iron, Aluminum (optional) PE 8 . . . . Cast Iron, 316 SS (optional)
Wear Plate . . . . .	PO 8 . . . . Steel PG 8 . . . . Aluminum PE 8 . . . . Steel
Mechanical Seal . . . . .	PO 8 . . . . Type 21 Viton/Carbon/NiResist/SS PG 8 . . . . Type 2 Viton/Carbon/Silicon Carbide/SS PE 8 . . . . Type 2 Viton/Carbon/Silicon Carbide/SS
Gasket, Flange . . . . .	Composite
Shaft Sleeve . . . . .	Stainless Steel
Fasteners . . . . .	Stainless Steel
Clamp, Shaft . . . . .	Brass, Lead-Free

### COMPATIBLE FOR:

- **PO 8** - Biodiesel, Fuel Oil, Diesel
- **PG 8** - Gasoline, Avgas, Kerosene, Jet A/8
- **PE 8** - Ethanol, E 85

### MOUNTING OPTIONS:

Pedestal Or Close Coupled To Nema C Face Motors

- **PO 8** - TEFC
- **PG 8** - Explosion Proof Class 1 Group D
- **PE 8** - Explosion Proof Class 1 Group D

### PERFORMANCE TO:

155 GPM 96 HD. FT. @ 3450 RPM

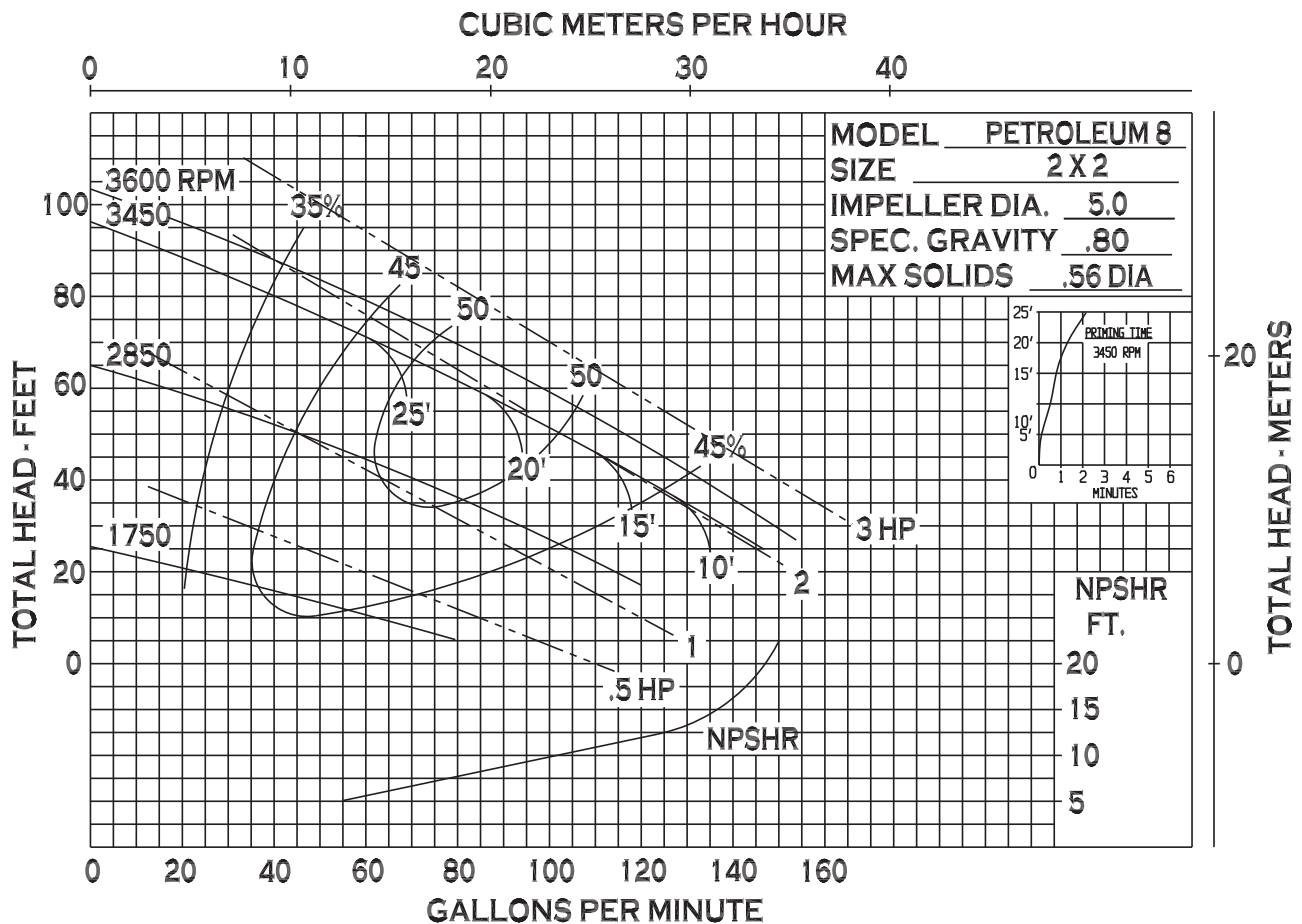
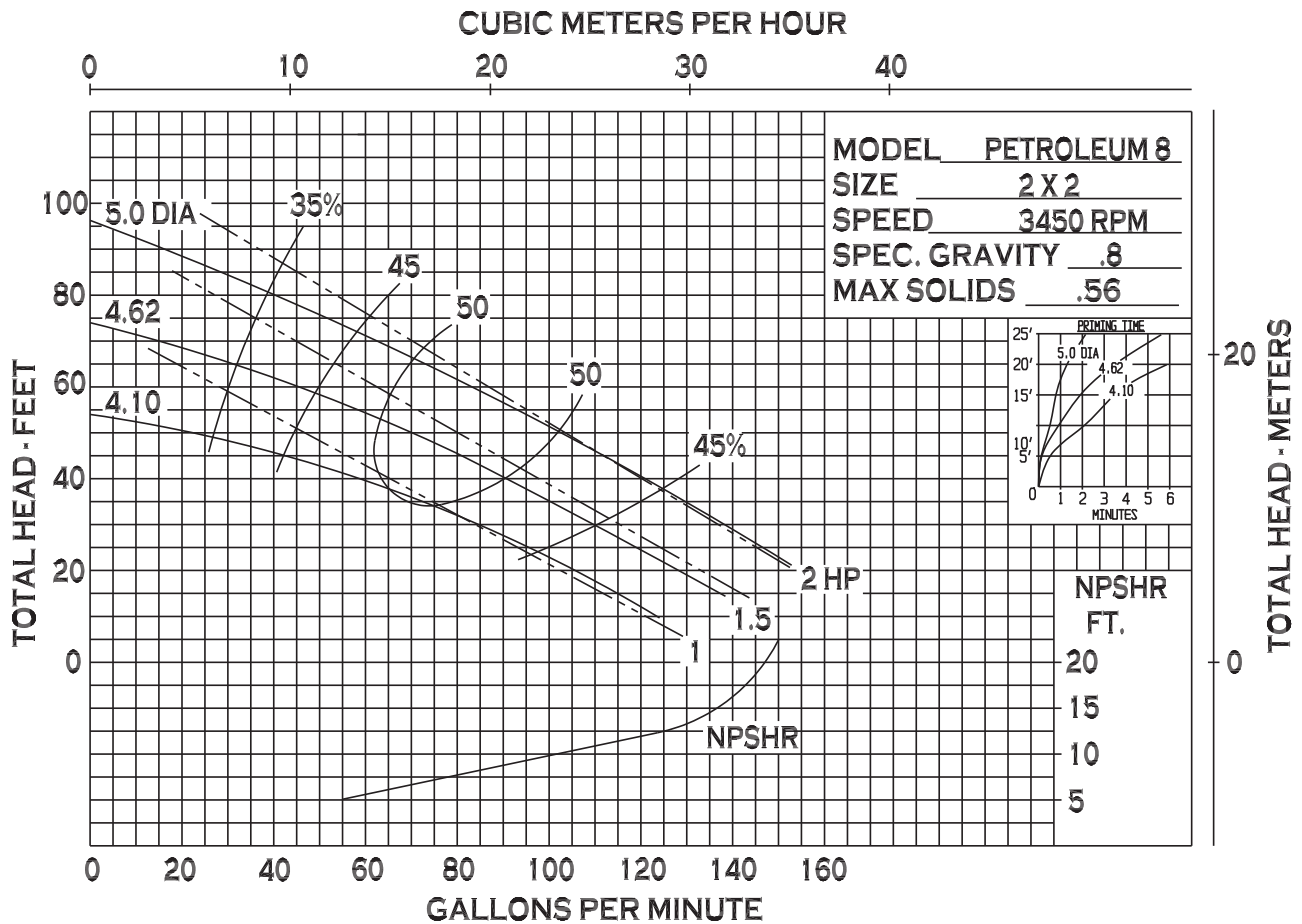
80 GPM 25 HD. FT. @ 1750 RPM

**motralec**

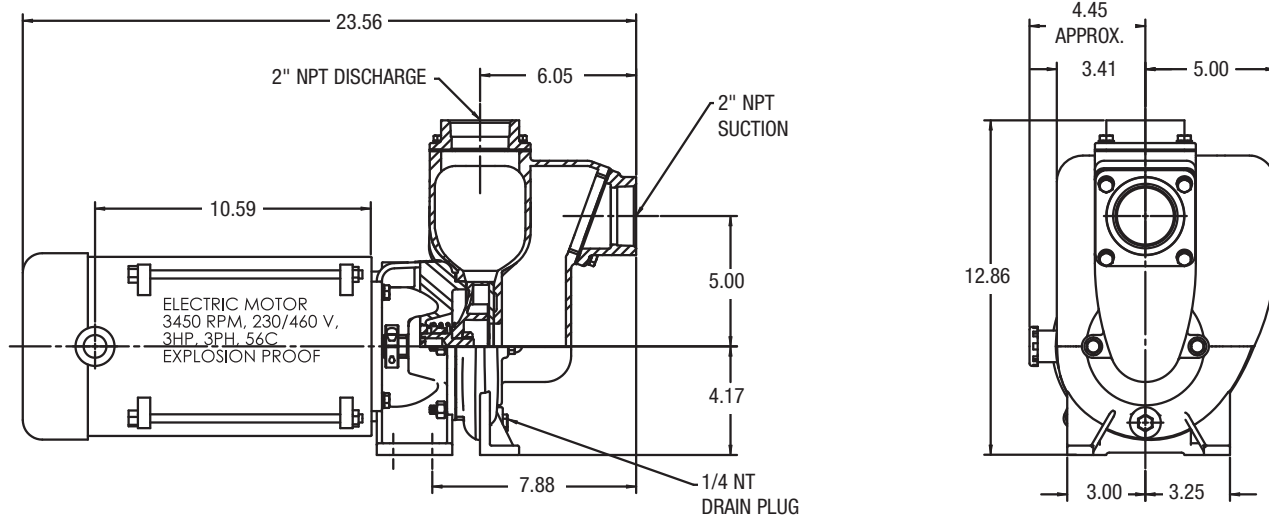
4 rue Lavoisier . ZA Lavoisier . 95223 HERBLAY CEDEX  
Tel. : 01.39.97.65.10 / Fax. : 01.39.97.68.48  
Demande de prix / e-mail : [service-commercial@motralec.com](mailto:service-commercial@motralec.com)

[www.motralec.com](http://www.motralec.com)

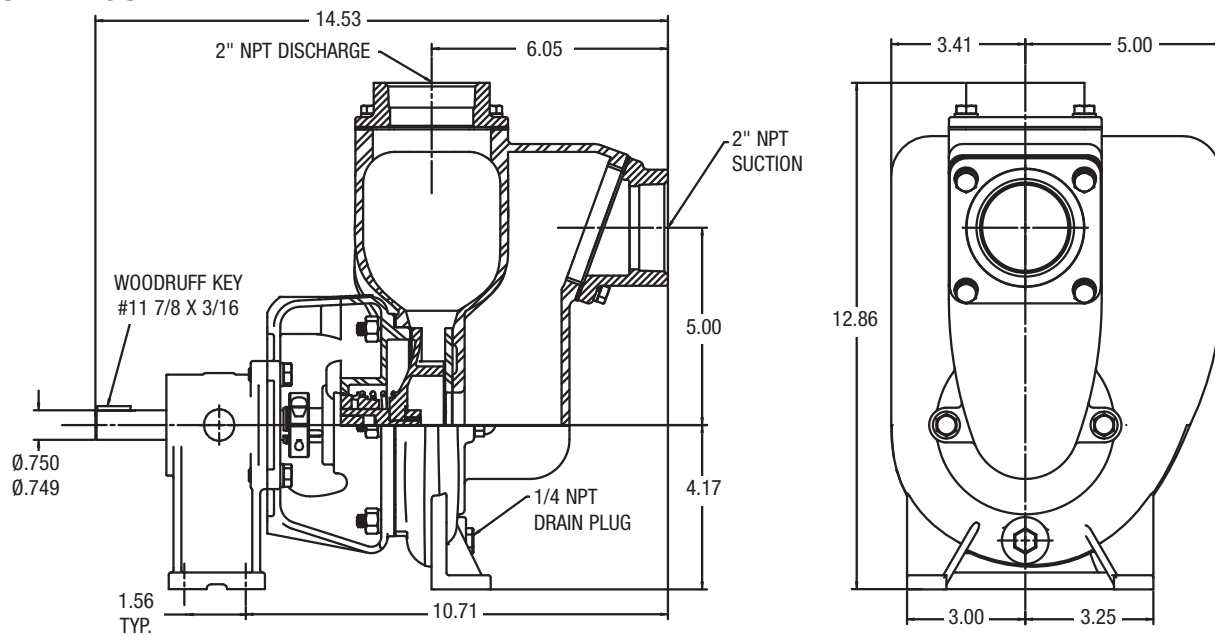
# PETROLEUM 8



## CLOSE COUPLED - ELECTRIC MOTOR



## PEDESTAL-MOUNT



**motralec**

4 rue Lavoisier . ZA Lavoisier . 95223 HERBLAY CEDEX  
Tel. : 01.39.97.65.10 / Fax. : 01.39.97.68.48  
Demande de prix / e-mail : [service-commercial@motralec.com](mailto:service-commercial@motralec.com)

[www.motralec.com](http://www.motralec.com)