

MP PUMPS, INC.

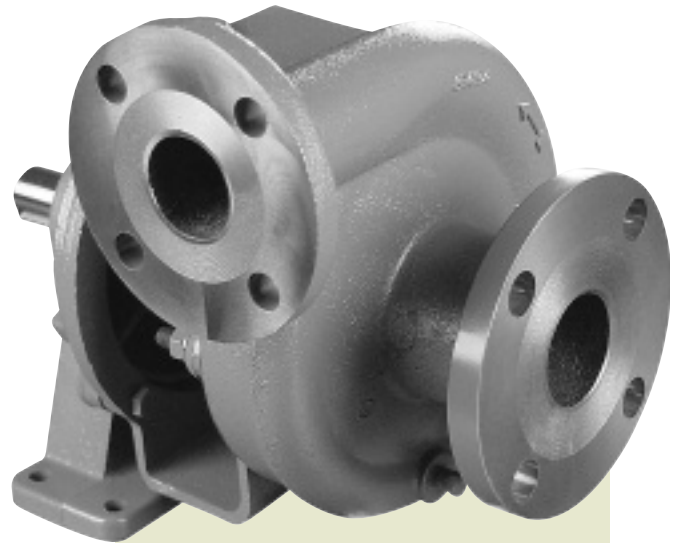
PETROLEUM 300

End Suction Centrifugal Pump

Specifically designed for petroleum based fluids, MP's *Petroleum 300* series is available in three (3) distinct models: **SO 300**, **SG 300** and **SE 300**.

Designed to close-couple to 215JP and 256JP frame electric motors, the models are also available as *Pumpaks*. Additional mounting options include pedestal.

Pump rotation in 90° increments.



SPECIFICATIONS:

Suction and Discharge	3" x 2 1/2" NPT 150# Flange
Housing	SO 300.. Cast Iron, Ductile Iron (optional) SG 300.. Ductile Iron SE 300.. Ductile Iron
Impeller, Enclosed . . .	SO 300.. Cast Iron SG 300.. Aluminum SE 300.. Cast Iron
Mechanical Seal . . .	SO 300.. Type 21 Viton/Carbon/NiResist/SS SG 300.. Type 2 Viton/Carbon/Silicon Carbide/SS SE 300.. Type 2 Viton/Carbon/Silicon Carbide/SS
Gasket, Flange	Composite
Shaft Sleeve	Stainless Steel
Fasteners	Stainless Steel
Clamp, Shaft	Brass, Lead-Free

COMPATIBLE FOR:

- **SO 300** - Biodiesel, Fuel Oil, Diesel
- **SG 300** - Gasoline, Avgas, Kerosene, Jet A/8
- **SE 300** - Ethanol, E 85

MOUNTING OPTIONS:

Pedestal Or Close Coupled To Nema C Face Motors

- **SO 300** - TEFC
- **SG 300** - Explosion Proof Class 1 Group D
- **SE 300** - Explosion Proof Class 1 Group D

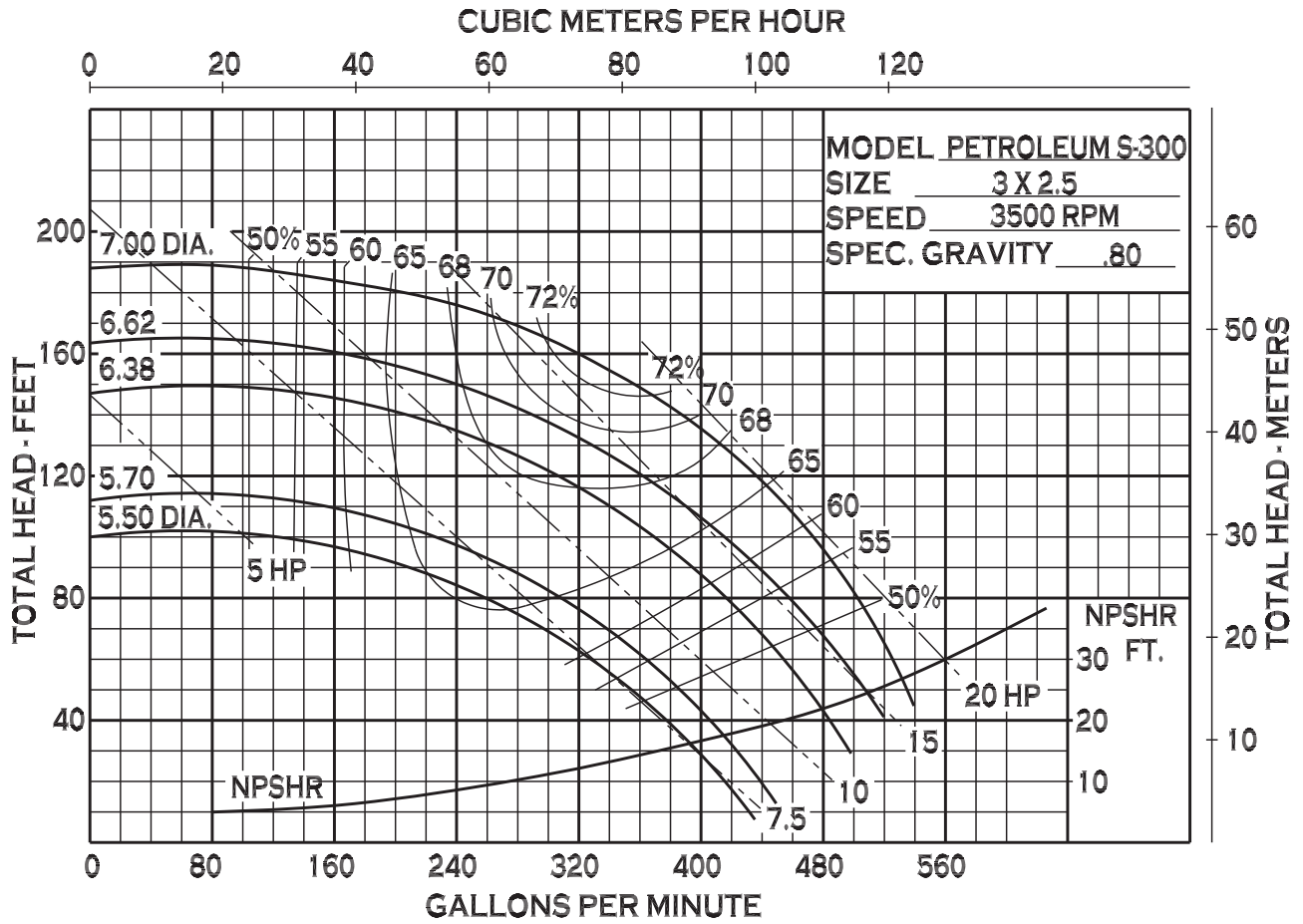
PERFORMANCE TO:

540 GPM 180 HD. FT. @ 3450 RPM

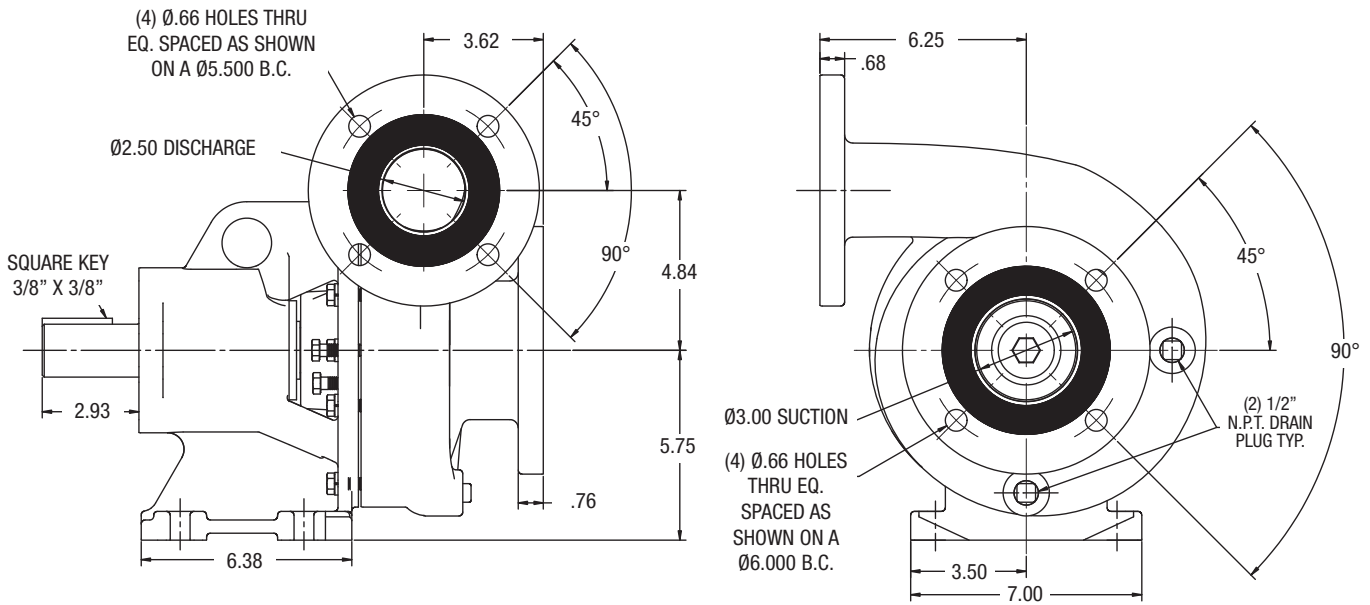
motralec

4 rue Lavoisier . ZA Lavoisier . 95223 HERBLAY CEDEX
Tel. : 01.39.97.65.10 / Fax. : 01.39.97.68.48
Demande de prix / e-mail : service-commercial@motralec.com

www.motralec.com

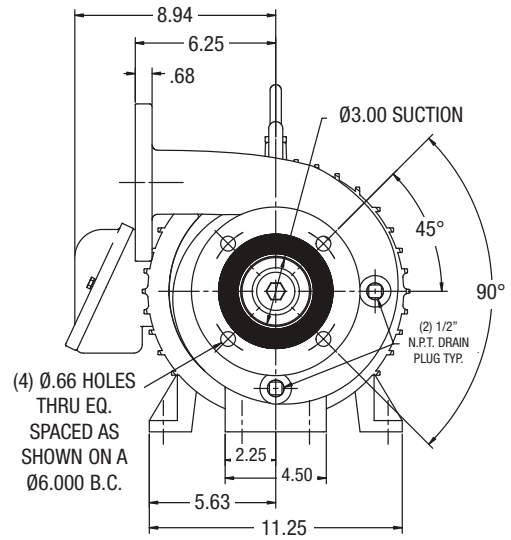
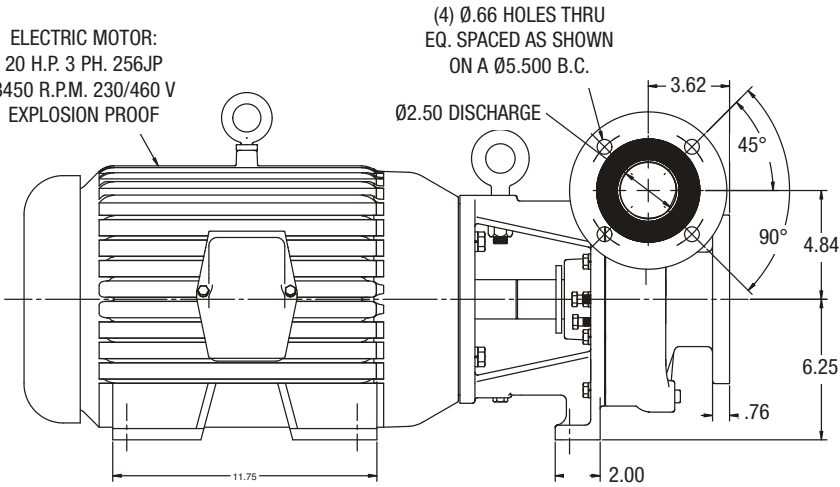


PEDESTAL-MOUNT



CLOSE COUPLED - ELECTRIC MOTOR

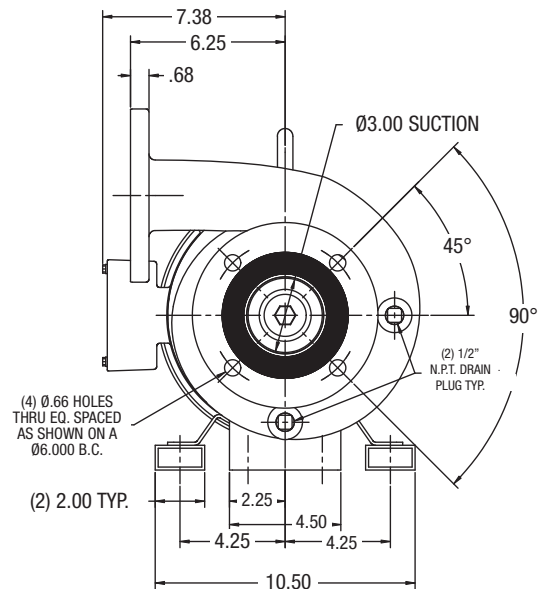
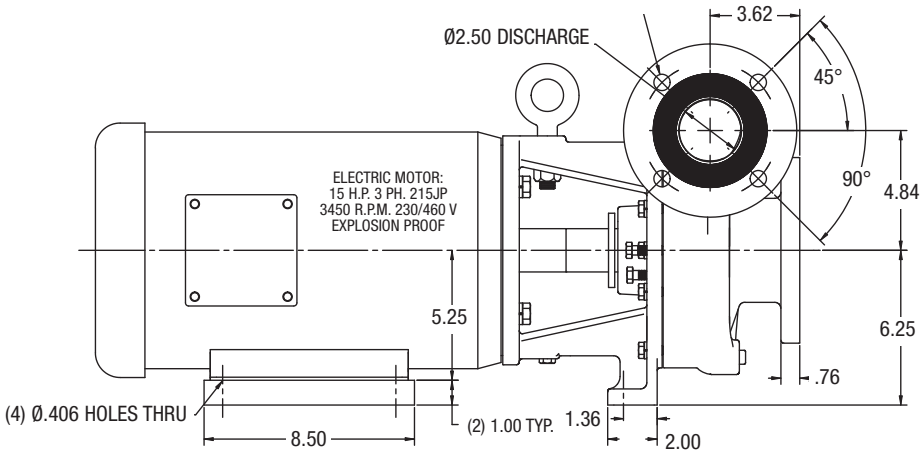
ELECTRIC MOTOR:
20 H.P. 3 PH. 256JP
3450 R.P.M. 230/460 V
EXPLOSION PROOF



CLOSE COUPLED - ELECTRIC MOTOR

(4) Ø.66 HOLES THRU EQ. SPACED AS SHOWN ON A Ø5.500 B.C.

Ø2.50 DISCHARGE



motralec

4 rue Lavoisier . ZA Lavoisier . 95223 HERBLAY CEDEX

Tel. : 01.39.97.65.10 / Fax. : 01.39.97.68.48

Demande de prix / e-mail : service-commercial@motralec.com

www.motralec.com